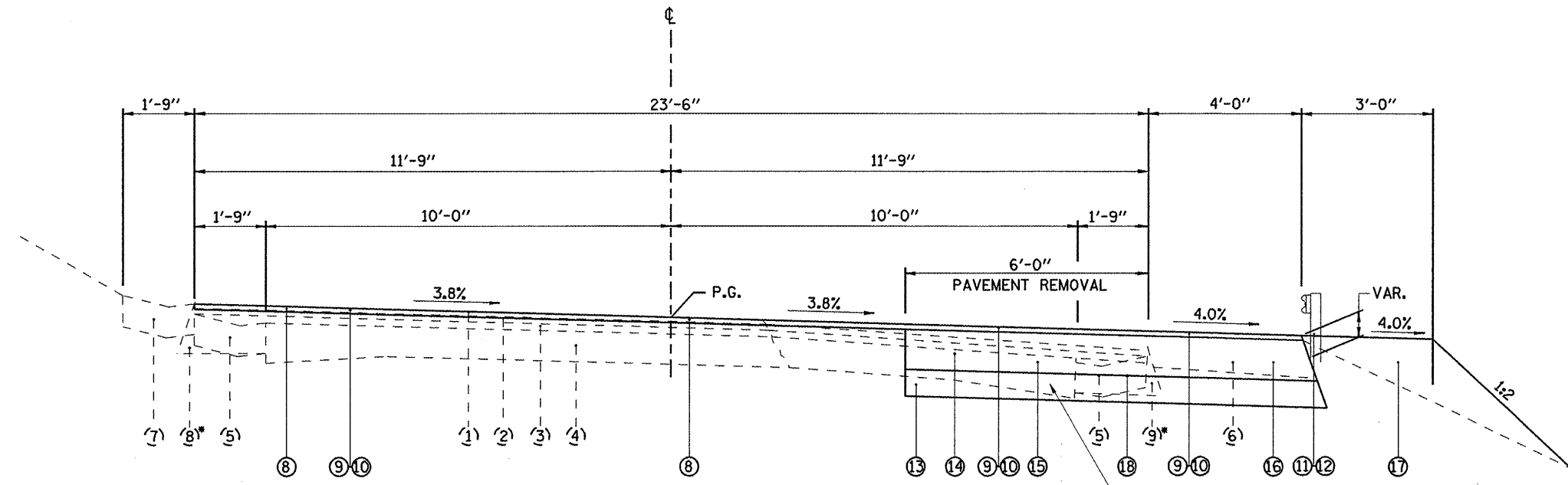


F.A.P. RTE.	SECTION	COUNTY	TOTAL SHEETS	SHEET NO.
510	120 (I-6)	HANCOCK	13	4
STA.	TO STA.			
FED. ROAD DIST. NO.	ILLINOIS	FED. AID PROJECT		
STATE CONTRACT NO. 72852				



• STA 811+19 TO STA 811+80 ONLY

FAP ROUTE 510 (IL 96)
AREA OF SLOPE FAILURE
 STA 809+94.00 TO STA 811+81.00

SEE PLAN FOR LIMITS OF
 PAVEMENT AND BITUMINOUS
 SHOULDER REMOVAL

EXISTING MATERIAL LEGEND

- ① EXISTING BITUMINOUS CONCRETE SURFACE COURSE
- ② EXISTING BITUMINOUS CONCRETE BINDER COURSE, 1 3/4"
- ③ EXISTING LEVELING BINDER
- ④ EXISTING PAVEMENT
- ⑤ EXISTING GUTTER
- ⑥ EXISTING BITUMINOUS SHOULDER, 6"
- ⑦ EXISTING CONCRETE GUTTER TYPE B
- ⑧ EXISTING PCC BASE COURSE WIDENING, 9"
- ⑨ EXISTING BITUMINOUS CONCRETE BASE COURSE WIDENING, 9"

PROPOSED MATERIAL LEGEND

- ⑧ PROPOSED HMA SURFACE REMOVAL, VAR. DEPTH (2 1/4" TYP.)
- ⑨ PROPOSED LEVELING BINDER (MACHINE METHOD), N50, 3/4"
- ⑩ PROPOSED HMA SURFACE COURSE, MIX "C", N50, 1 1/2"
- ⑪ PROPOSED GUARDRAIL REMOVAL
- ⑫ PROPOSED STEEL PLATE BEAM GUARD RAIL, TYPE A
- ⑬ PROPOSED SUB-BASE GRANULAR MATERIAL, TYPE A, 8"
- ⑭ PROPOSED HMA BASE COURSE, 12"
- ⑮ PROPOSED PAVEMENT REMOVAL
- ⑯ PROPOSED PAVED SHOULDER REMOVAL
- ⑰ PROPOSED AGGREGATE SHOULDERS, TYPE B
- ⑱ PROPOSED GUTTER REMOVAL (STA 809+94 TO STA 811+19)

REVISIONS	
NAME	DATE

ILLINOIS DEPARTMENT OF TRANSPORTATION
TYPICAL SECTION
 FAP 510 (IL 96)
 SECTION 120 (I-6)
 HANCOCK COUNTY
 SCALE: VERT. NONE
 HORIZ. DATE 3/18/2004
 DRAWN BY SSM
 CHECKED BY SRD