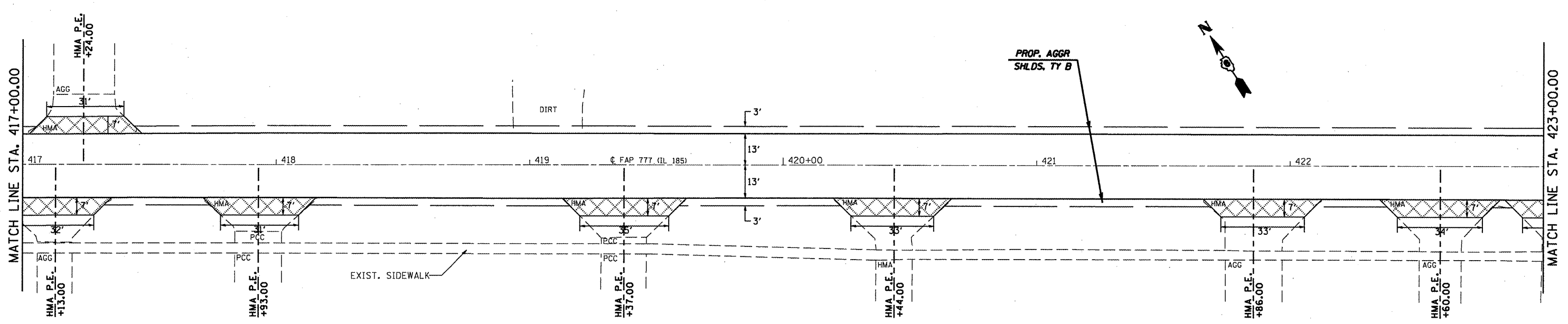
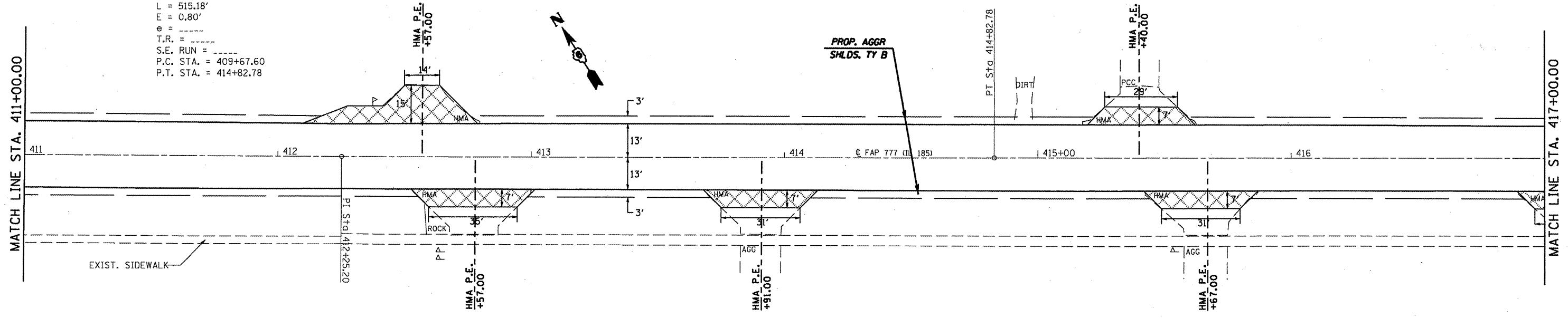


EXIST. CURVE 2  
 PI STA. = 412+25.20  
 $\Delta = 0^\circ 42' 56''$  (LT)  
 $D = 0^\circ 08' 20''$   
 $R = 41,252.96'$   
 $T = 257.59'$   
 $L = 515.18'$   
 $E = 0.80'$   
 $e =$  -----  
 $T.R. =$  -----  
 $S.E. RUN =$  -----  
 $P.C. STA. = 409+67.60$   
 $P.T. STA. = 414+82.78$



FILE NAME =	USER NAME = coxjw	DESIGNED - JWC	REVISED -
ct:\pwwork\pwwork\DOT\COXJW\dms22861\067248	8-shr-plan21.dgn	DRAWN - JWC	REVISED -
PLOT SCALE = 40,0000' / IN.		CHECKED - RSC	REVISED -
PLOT DATE = Aug-13-2009 10:31:16AM		DATE - 7/10/09	REVISED -

**STATE OF ILLINOIS  
 DEPARTMENT OF TRANSPORTATION**

**PLAN SHEETS**

SCALE: 20      SHEET NO. 2 OF 27 SHEETS      STA. 411+00.00 TO STA. 423+00.00

F.A.P. RTE.	SECTION	COUNTY	TOTAL SHEETS	SHEET NO.
777	IORS-5	Montgomery	54	21
CONTRACT NO. 72A68				
ILLINOIS FED. AID PROJECT				