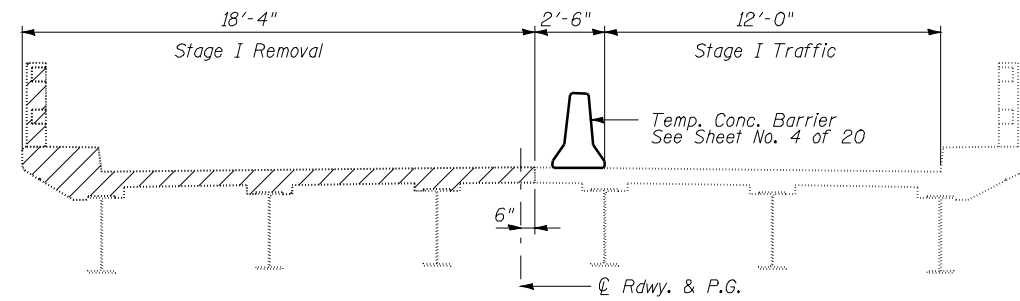
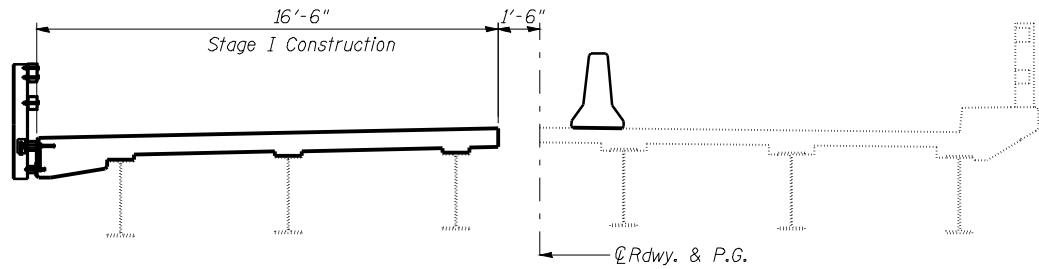


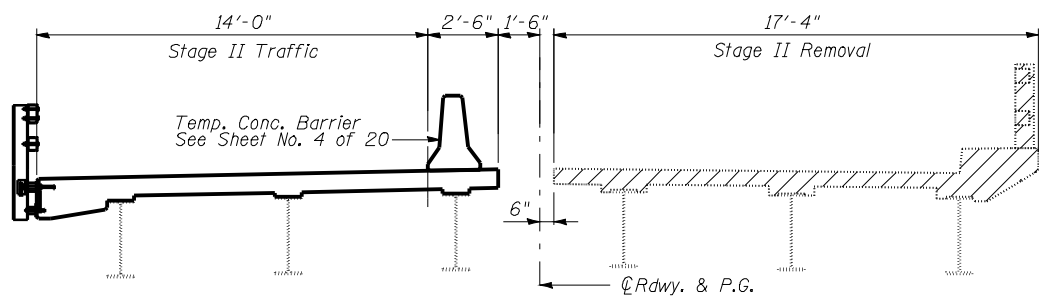
STATE OF ILLINOIS  
DEPARTMENT OF TRANSPORTATION



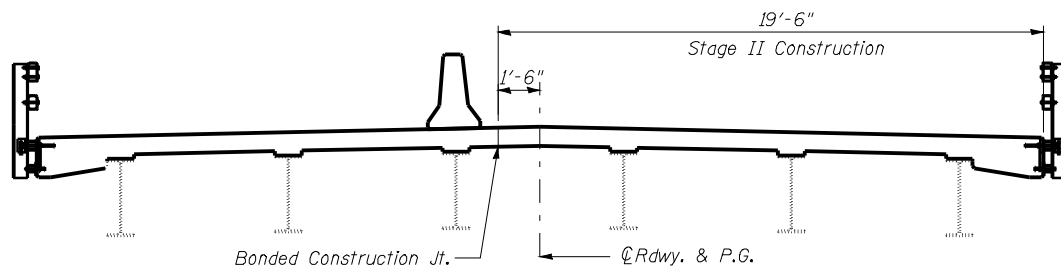
**STAGE I REMOVAL**



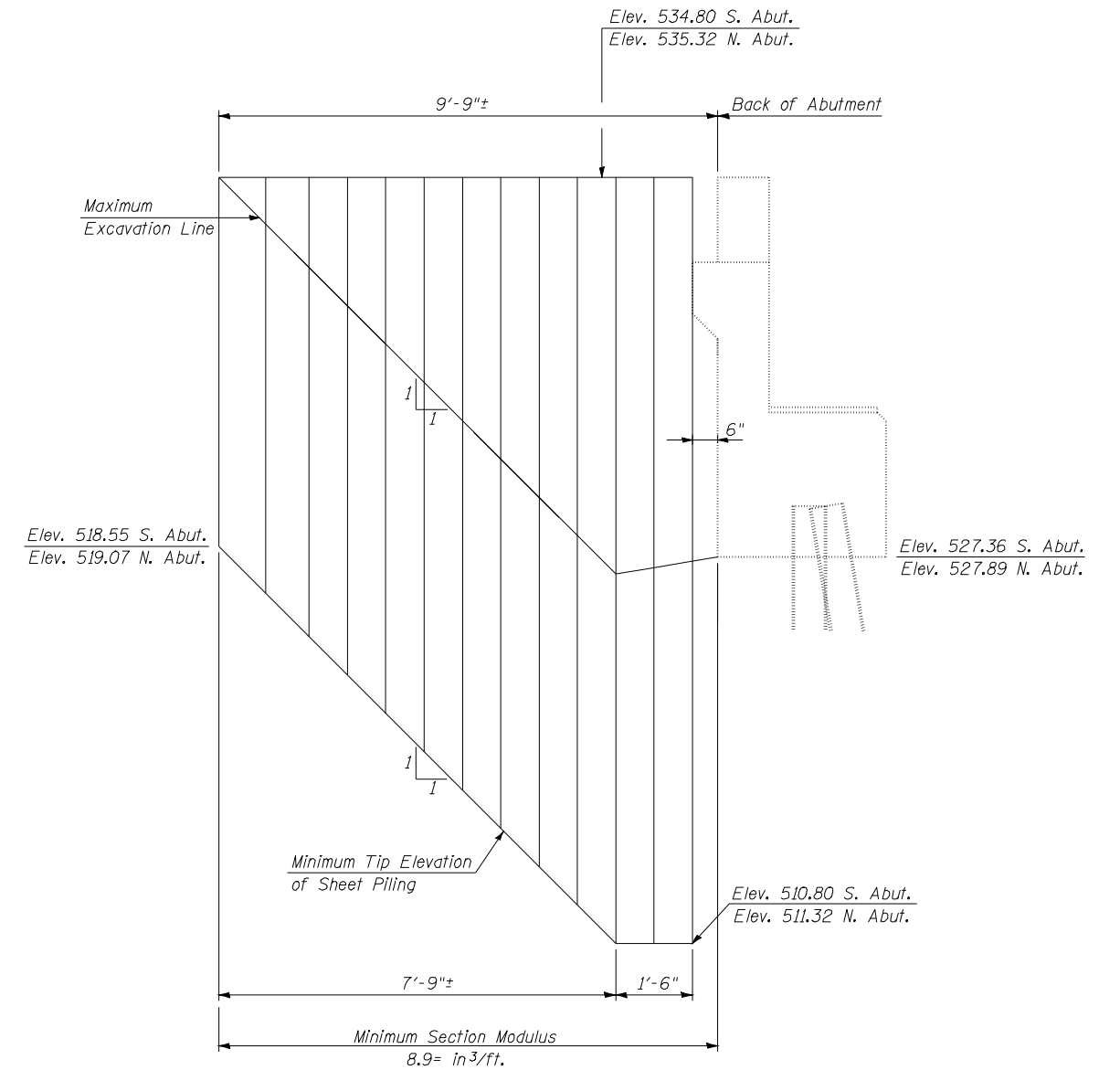
**STAGE I CONSTRUCTION**



**STAGE II REMOVAL**



**STAGE II CONSTRUCTION**



**TEMPORARY SHEET PILING AND ABUTMENTS**

If the Contractor chooses to alter the temporary cantilevered sheet piling design requirements shown on the plans, a design submittal including plan details and calculations will be required for review and acceptance by the Engineer.

DESIGNED	CMW
CHECKED	JSA
DRAWN	TJW
CHECKED	CMW

**HOELSCHER  
ENGINEERING**

11 Executive Drive Suite 12  
Fairview Heights, Illinois 62208  
(618) 624-8610  
(618) 624-8611 (fax)

2501 Chatham Road, Suite 120  
Springfield, Illinois 62704  
(217) 698-8610  
(217) 698-8608 (fax)

115 North Nell Street, Suite 105  
Champaign, Illinois 61820  
(217) 351-8610  
(217) 351-8611 (fax)

Note:  
All Cross Sections are Looking Upstation.  
Hatched area indicates removal of existing structures.  
For quantity of Temporary Concrete Barrier, see roadway plans.

**STAGE CONSTRUCTION DETAILS  
STRUCTURE NO. 085-0001**

SHEET NO. 3 20 SHEETS	F.A. RTE. 310 (US 67)	SECTION (87B) BR	COUNTY SCHUYLER	TOTAL SHEETS 80	SHEET NO. 44
	CONTRACT NO. 72B95				
FED. ROAD DIST. NO.		ILLINOIS FED. AID PROJECT			