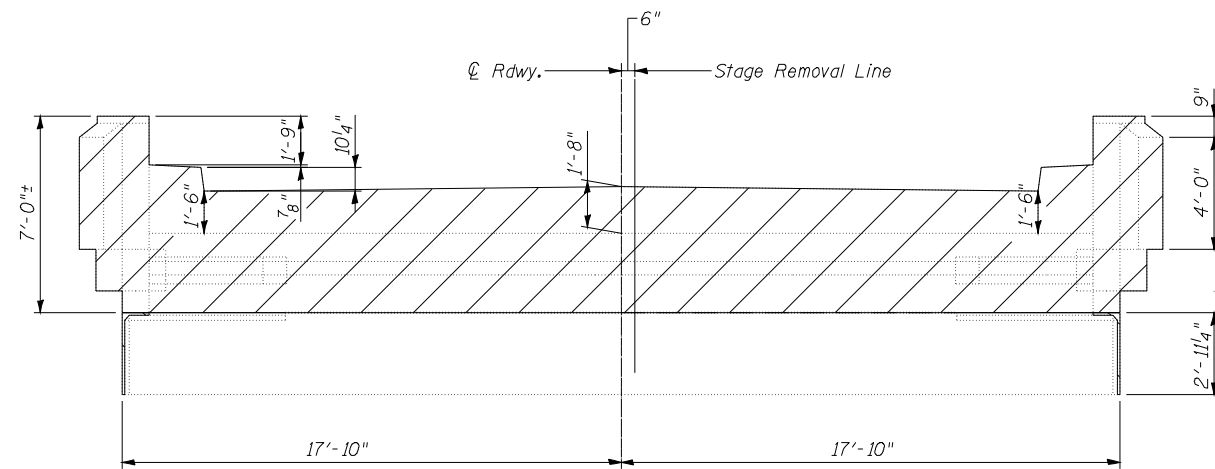
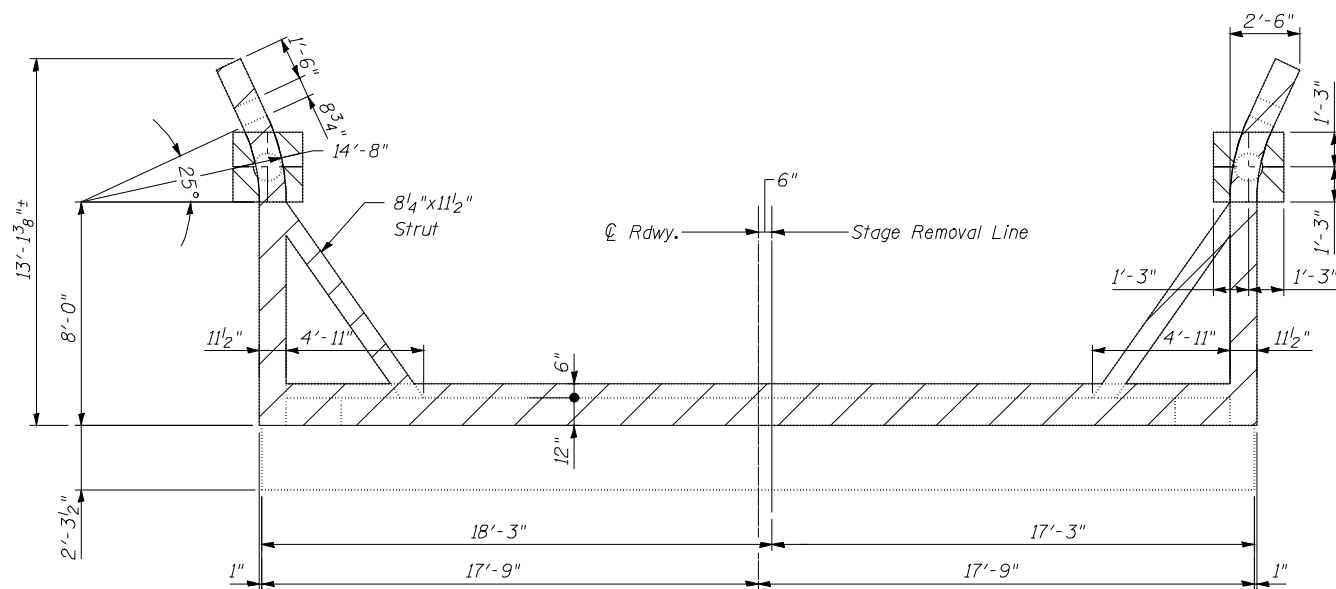


STATE OF ILLINOIS
DEPARTMENT OF TRANSPORTATION



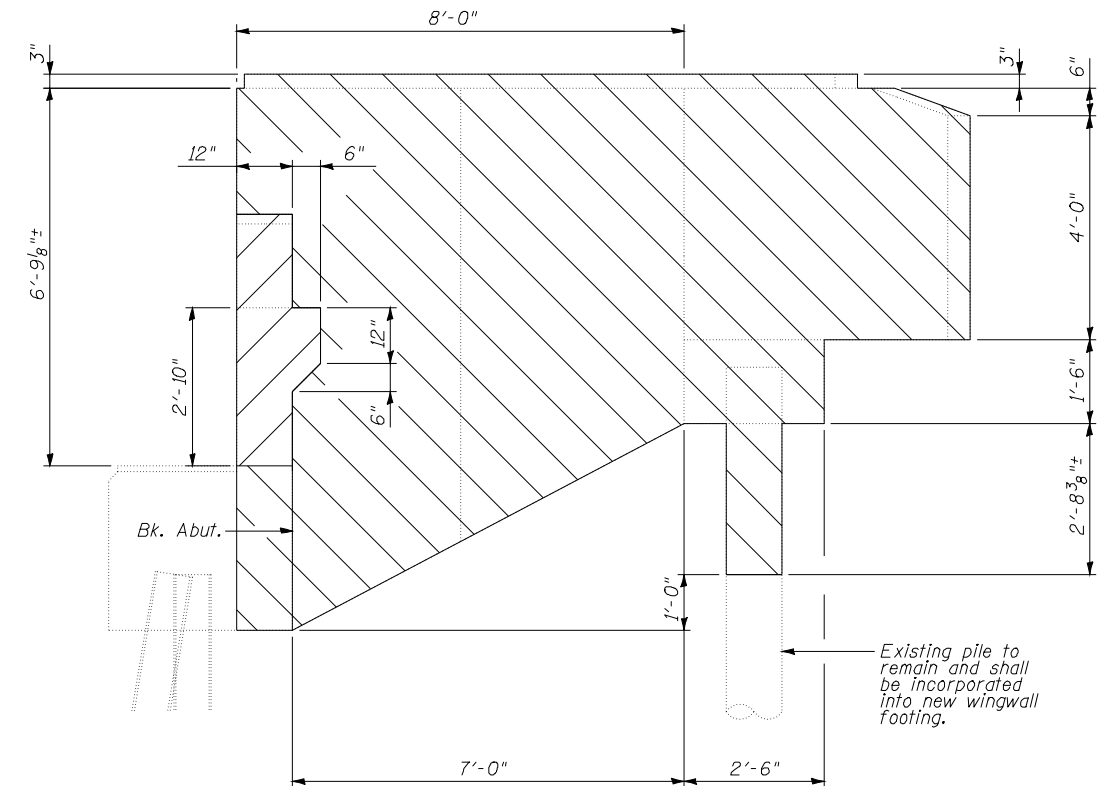
ELEVATION-NORTH ABUTMENT

(Looking North)
(South Abutment Similar)



PLAN-NORTH ABUTMENT

(South Abutment Similar)



WINGWALL ELEVATION-NORTH ABUTMENT

(South Abutment Similar)

Notes:

- Hatched area indicates Concrete Removal.
- Existing reinforcement bars extending into the new construction shall be cleaned, straightened and incorporated into the new construction. Cost included with Concrete Removal.
- Existing reinforcement bars not extending into the new construction shall be cut off and covered with a 2" layer of cement grout. Cost included with Concrete Removal.

**TWO ABUTMENTS
BILL OF MATERIAL**

ITEM	UNIT	Quantity
Concrete Removal	Cu. Yd.	27.4

**CONCRETE REMOVAL
STRUCTURE NO. 085-0001**

DESIGNED	CMW
CHECKED	JSA
DRAWN	TJW
CHECKED	CMW

HOELSCHER ENGINEERING

11 Executive Drive Suite 12
Fairview Heights, Illinois 62208
(618) 624-8610
(618) 624-8611 (fax)

2501 Chatham Road, Suite 120
Springfield, Illinois 62704
(217) 698-8610
(217) 698-8608 (fax)

115 North Neil Street, Suite 105
Champaign, Illinois 61820
(217) 351-8610
(217) 351-8611 (fax)

SHEET NO. 17 20 SHEETS	F.A. RTE. 310 (US 67)	SECTION (87B) BR	COUNTY SCHUYLER	TOTAL SHEETS 80	SHEET NO. 58
	CONTRACT NO. 72B95				
FED. ROAD DIST. NO.		ILLINOIS FED. AID PROJECT			