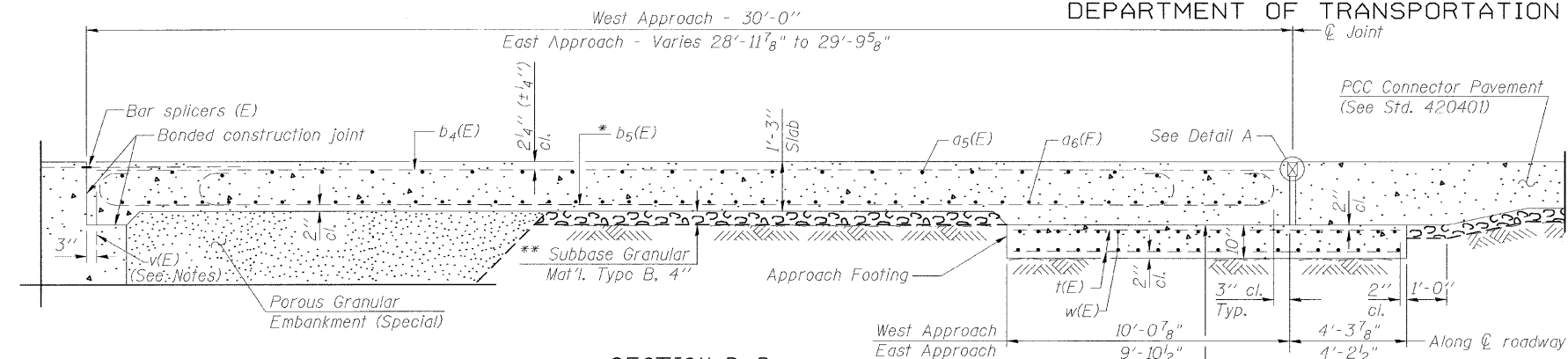


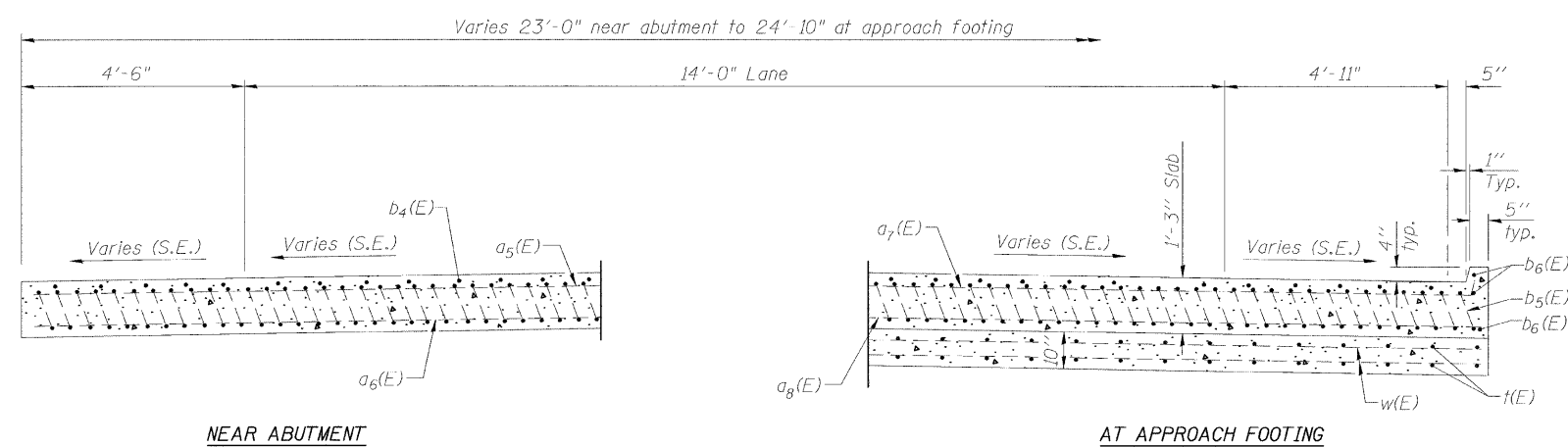
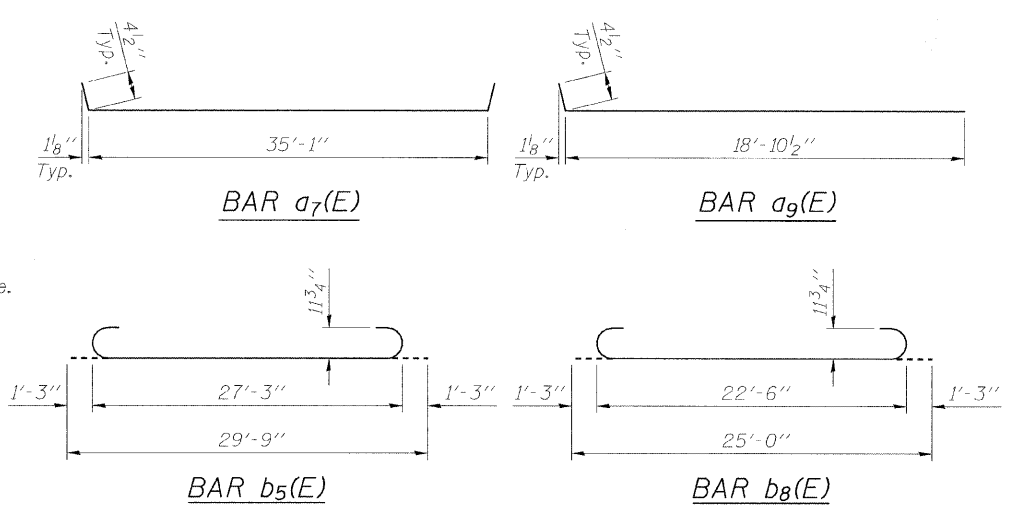
STATE OF ILLINOIS
DEPARTMENT OF TRANSPORTATION



SECTION B-B

** 10 mil. Polyethylene bond breaker on steel trowel finish
* Tilt #9 b5(E) bars as required to maintain clearance.
** Cost included with Concrete Superstructure.

Notes:
Approach slab shall be paid for as Concrete Superstructure.
Approach footing concrete shall be paid for as Concrete Structures.
Reinforcement shall be paid for as Reinforcement Bars, Epoxy Coated.
For v(E) bar details, see sheets 20 and 22 of 24.
The approach footing maximum applied service bearing pressure (Qmax) = 2.0 ksf.
For bar splicer details, see sheet 24 of 24.
Cost of excavation for approach footing included with Concrete Structures.
For Porous Granular Embankment (Special) and drainage treatment details, see sheet 1 of 24.

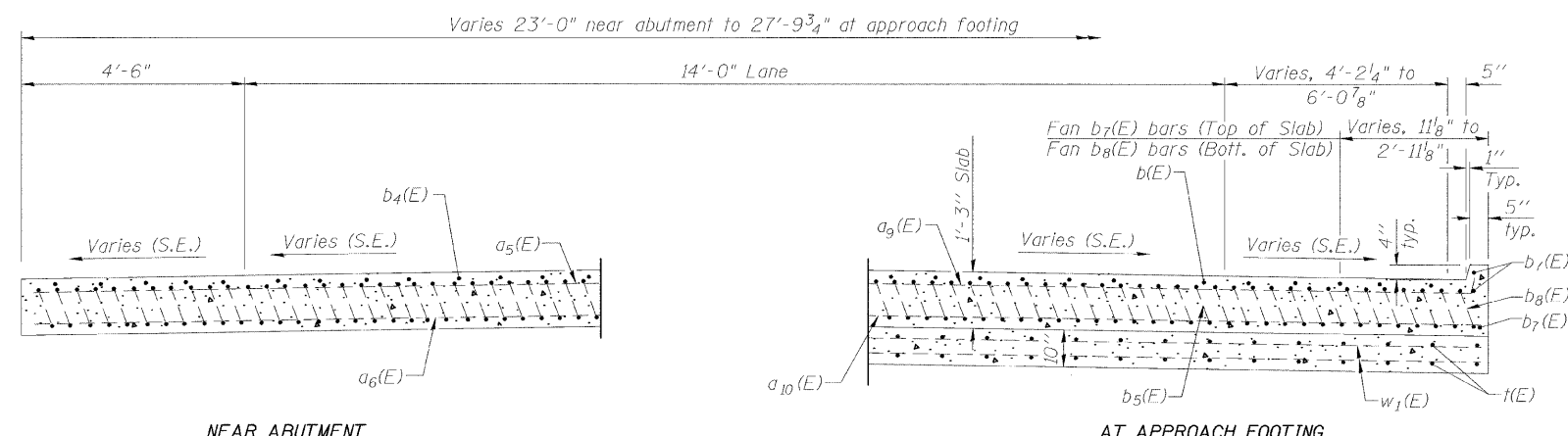


NEAR ABUTMENT

AT APPROACH FOOTING

SECTION C-C

(See Plan for dimensions not shown)

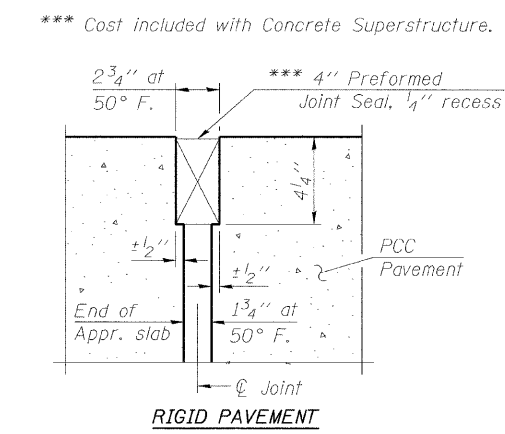


NEAR ABUTMENT

AT APPROACH FOOTING

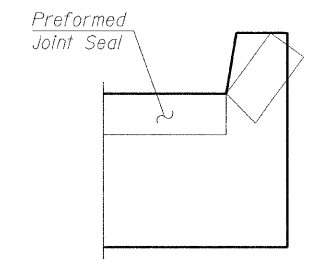
SECTION E-E

(See Plan for dimensions not shown)



RIGID PAVEMENT

DETAIL A



VIEW D-D

Angle Preformed Joint Seal at 45° at curbs when req'd for drainage.

TWO APPROACHES
BILL OF MATERIAL

Bar	No.	Size	Length	Shape
a5(E)	14	#4	32'-9"	—
a6(E)	26	#5	32'-9"	—
a7(E)	18	#4	35'-10"	—
a8(E)	32	#5	35'-3"	—
a9(E)	36	#4	19'-5"	—
a10(E)	66	#5	20'-2"	—
b4(E)	48	#4	29'-8"	—
b5(E)	110	#9	29'-9"	—
b6(E)	9	#4	18'-6"	—
b7(E)	6	#4	22'-0"	—
b8(E)	5	#9	25'-0"	—
t(E)	108	#4	13'-7"	—
w(E)	40	#5	35'-1"	—
w1(E)	80	#5	20'-7"	—
Concrete Structures			Cu. Yd.	22.9
Concrete Superstructure			Cu. Yd.	75.3
Bridge Deck Grooving			Sq. Yd.	163
Protective Coat			Sq. Yd.	163
Reinforcement Bars, Epoxy Coated			Pound	21,530

(Sheet 2 of 2)
BRIDGE APPROACH SLAB DETAILS
FAS ROUTE 1807 SECTION (51-23HB)-6B-1
LAWRENCE COUNTY
STATION 94A+66.74
STRUCTURE NO. 051-0031

DESIGNED - MJP
CHECKED - KWB
DRAWN - REZ
CHECKED - TDN



345 E. ASH AVE., SUITE B
DECATUR, IL. 62526
TEL. 217-875-4800

SHEET NO. 11	F.A.S. RTE. 1807	SECTION (51-23HB) 6B-1	COUNTY LAWRENCE	TOTAL SHEETS 60	SHEET NO. 27
24 SHEETS	CONTRACT NO. 74115		FED. ROAD DIST. NO. ILLINOIS FED. AID PROJECT		