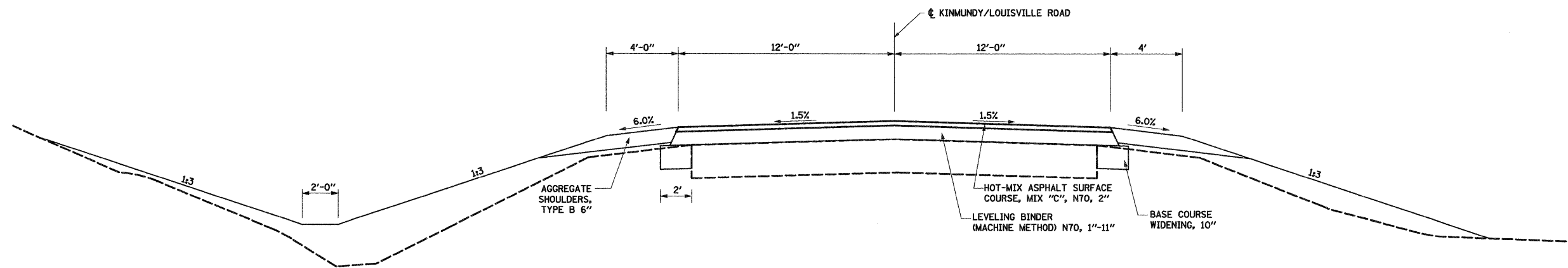


**PROPOSED TYPICAL SECTION**

STA 465+00.00 TO STA 466+49.70  
 STA 486+78.00 TO STA 487+50.00



**PROPOSED TYPICAL SECTION**

STA 466+49.70 TO STA 468+23.83  
 STA 485+21.07 TO STA 486+78.00

FILE NAME =	USER NAME= paul	DESIGNED - JLS	REVISED -	<b>STATE OF ILLINOIS DEPARTMENT OF TRANSPORTATION</b>	<b>TYPICAL SECTIONS, KINMUNDY/LOUISVILLE ROAD</b>	F.A.S. RTE.	SECTION	COUNTY	TOTAL SHEETS	SHEET NO.	
S:\projects\407-0008 080 Dist 7 Various\NO 2 Kinmundy over 12\typical_section.dgn		DRAWN - MAB	REVISED -			2703	(9-VBR)B	CLAY	65	5	
	PLOT SCALE 10.0000' / IN.	CHECKED - BRM	REVISED -			<b>CONTRACT NO. 74136</b>					
	PLOT DATE= 12/3/2008	DATE -	REVISED -			SCALE:	SHEET NO. 2 OF 3 SHEETS	STA.	TO STA.	FED. ROAD DIST. NO.	ILLINOIS FED. AID PROJECT