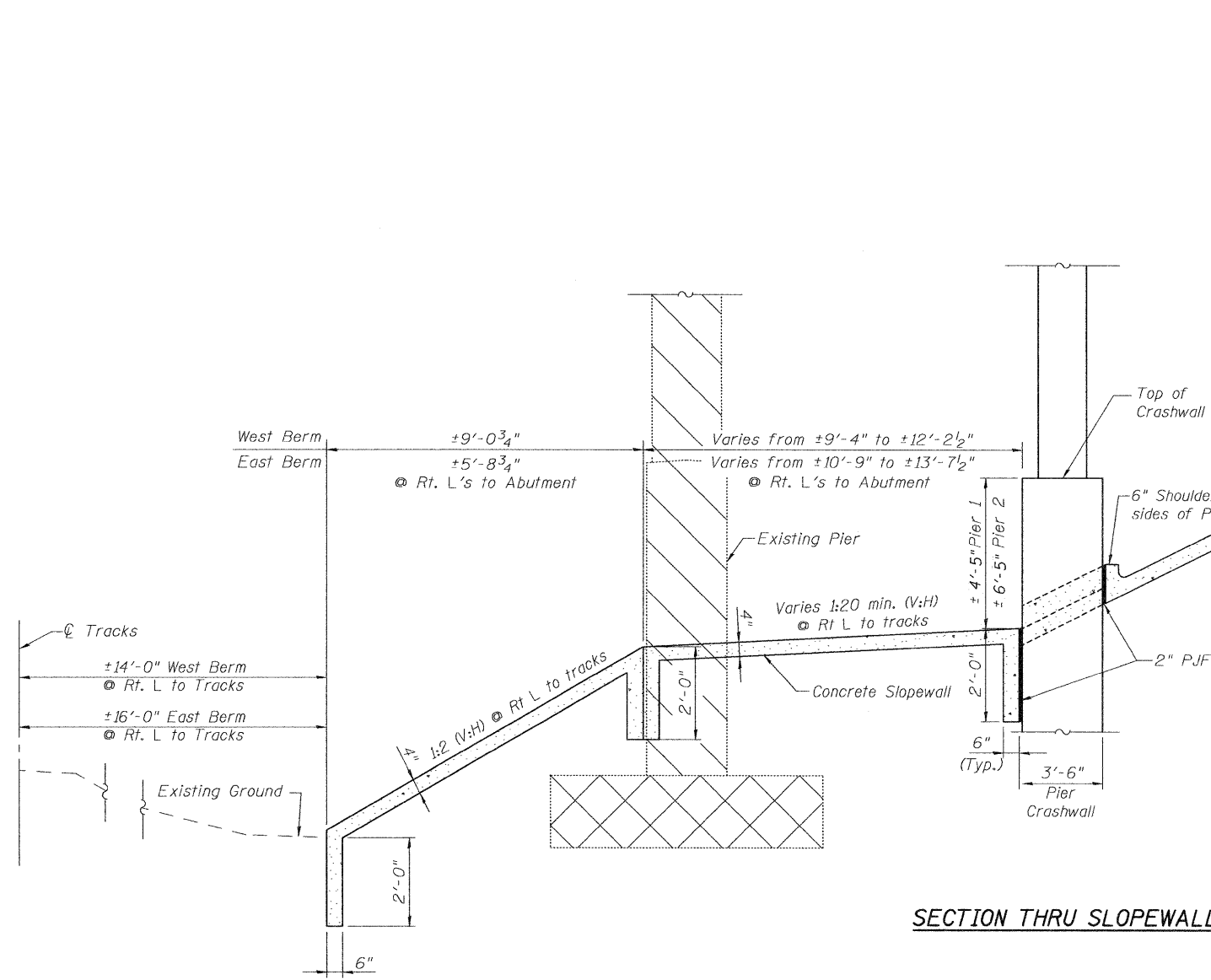
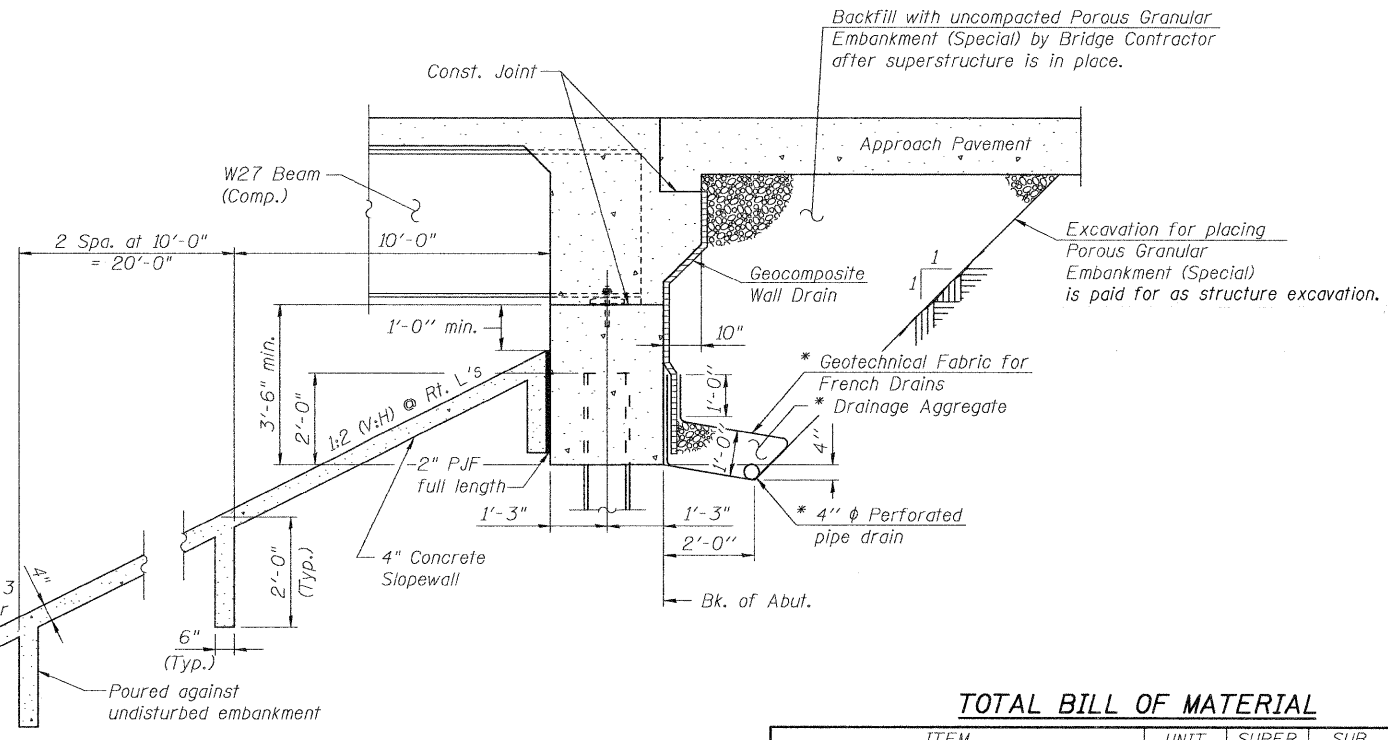


STATE OF ILLINOIS
DEPARTMENT OF TRANSPORTATION



SECTION THRU SLOPEWALL



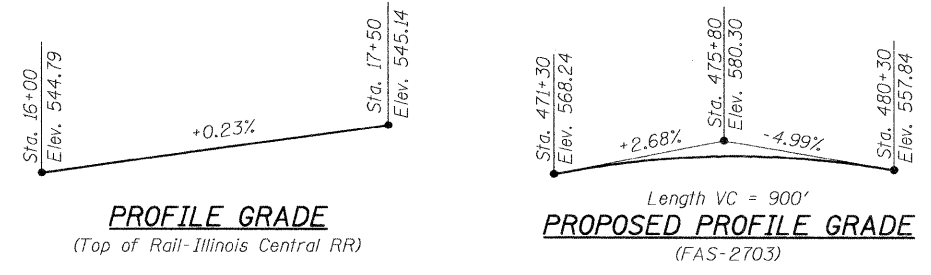
SECTION THRU INTEGRAL ABUTMENT

Notes:
All drainage system components shall extend to 2'-0" from the end of each wingwall except an outlet pipe shall extend until intersecting with the side slopes. The pipes shall drain into concrete headwalls. (See Article 601.05 of the Standard Specifications and Highway Standard 601101).
Concrete toe walls to run parallel to tracks. (See plan view on sheet 1 of 22).
Concrete Slopewall shall be reinforced with welded wire fabric, 6in x 6in-W40 x W40 weighing 58lbs. per 100 sq. ft. Cost of preformed joint filler included with slope wall 4"

TOTAL BILL OF MATERIAL

| ITEM | UNIT | SUPER | SUB | TOTAL |
|--|---------|-------|-------|-------|
| Structure Excavation | Cu. Yd. | | 400 | 400 |
| Concrete Superstructure | Cu. Yd. | 225.2 | | 225.2 |
| Concrete Structures | Cu. Yd. | | 159.6 | 159.6 |
| Removal of Existing Structures | Each | 1 | | 1 |
| Reinforcement Bars, Epoxy Coated | Pound | 48130 | 23110 | 71240 |
| Protective Coat | Sq. Yd. | 720.1 | | 720.1 |
| Name Plates | Each | 1 | | 1 |
| Porous Granular Embankment (Special) | Cu. Yd. | 93.7 | | 93.7 |
| Stud Shear Connectors | Each | 3132 | | 3132 |
| Bar Splicers | Each | 68 | | 68 |
| Furnishing and Erecting Structural Steel | L. Sum | 1 | | 1 |
| Furnishing Steel Piles HP 12x53 | Foot | | 408 | 408 |
| Furnishing Steel Piles HP 12x63 | Foot | | 384 | 384 |
| Test Pile Steel HP 12x53 | Each | 2 | | 2 |
| Test Pile Steel HP 12x63 | Each | 2 | | 2 |
| Driving Piles | Foot | | 792 | 792 |
| Slopewall, 4" | Sq. Yd. | 708.4 | | 708.4 |
| Bridge Deck Grooving | Sq. Yd. | 546.4 | | 546.4 |
| Pile Shoes | Each | | 24 | 24 |
| Geocomposite Wall Drain | Sq. Yd. | 57.4 | | 57.4 |
| Pipe Underdrain for Structures, 4" | Foot | | 84 | 84 |
| Floor Drains | Each | 4 | | 4 |
| Drainage Scupper, DS-11 | Each | 4 | | 4 |
| Protective Shield | Sq. Yd. | 193.5 | | 193.5 |
| Concrete Encasements | Cu. Yd. | | 3.5 | 3.5 |
| Anchor Bolts 1" | Each | 48 | | 48 |

Indicates Removal of Existing Structures
Removal of Existing Footing shall be done according to Art. 501.04 of Standard Specifications



PROFILE GRADE
(Top of Rail-Illinois Central RR)

PROPOSED PROFILE GRADE
(FAS-2703)

| | |
|----------|---------------|
| DESIGNED | B.B. |
| CHECKED | C.J.F. |
| DRAWN | J.G. |
| CHECKED | C.J.F. & B.B. |

GENERAL DETAILS
KINMUNDY/LOUISVILLE ROAD
OVER ILLINOIS CENTRAL RR
STA. 475+50.44

BERNARDIN LOCHMUELLER & ASSOCIATES, INC.

3 Oak Drive
Maryville, IL 62062-5635
Local-(618) 288-4665
Fax 618-288-4666

| | | | | | |
|---|------------------|------------------|--------------------|-----------------|--------------|
| SHEET NO. 2 | F.A.S. RTE. 2703 | SECTION (9-VBR)B | COUNTY CLAY | TOTAL SHEETS 65 | SHEET NO. 24 |
| 22 SHEETS | SN 013-0044 | | CONTRACT NO. 74136 | | |
| FED. ROAD DIST. NO. 7 ILLINOIS FED. AID PROJECT | | | | | |