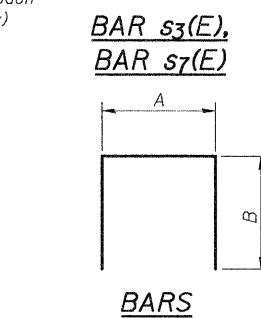
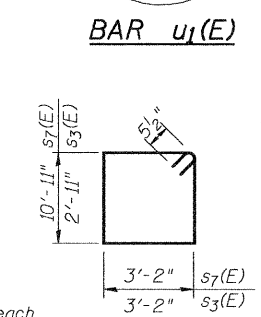
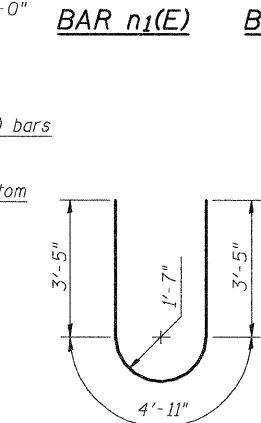
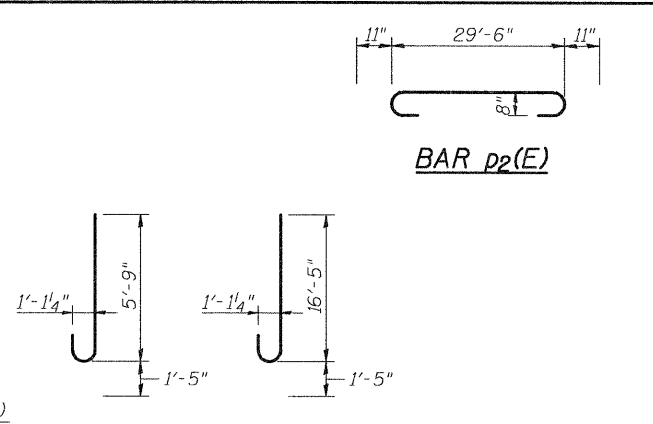
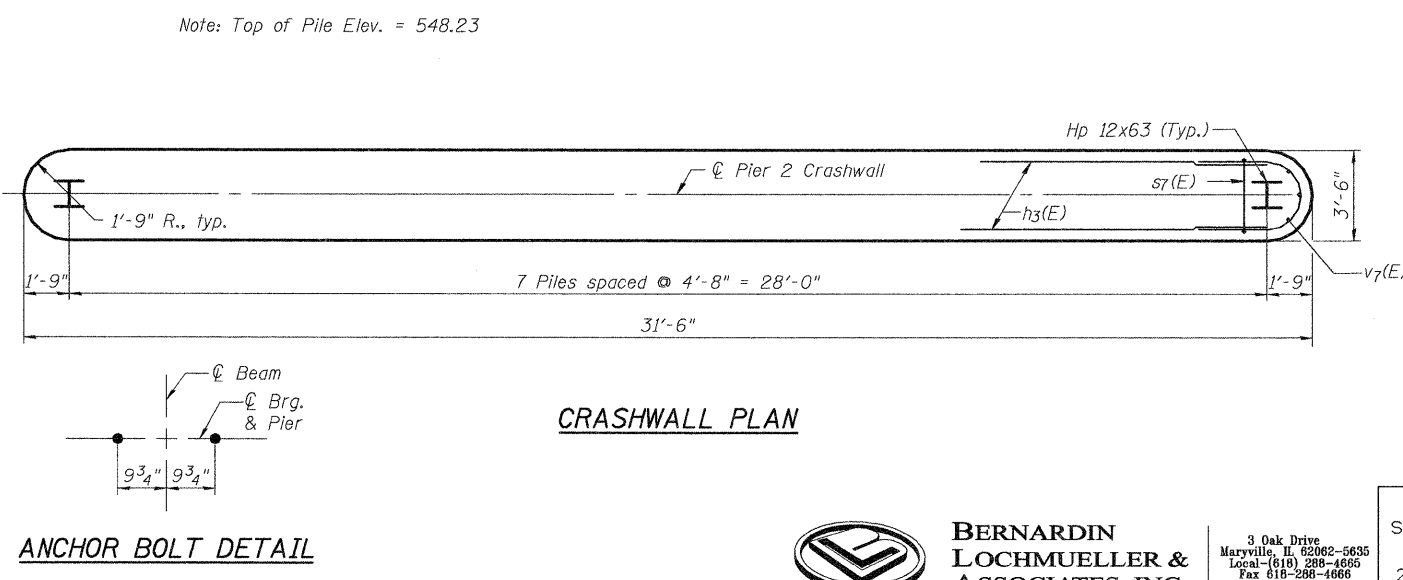
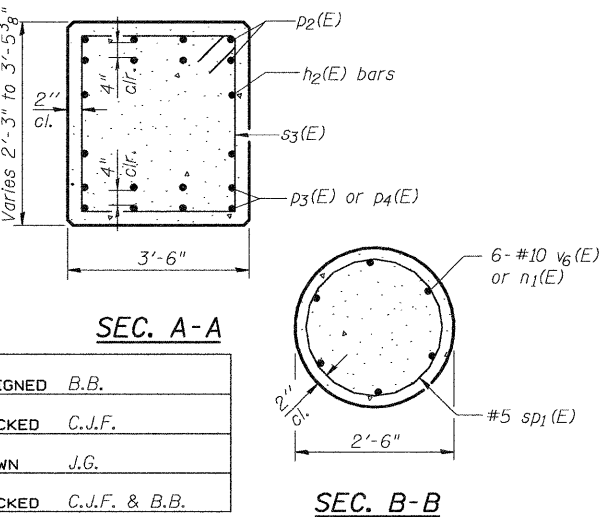
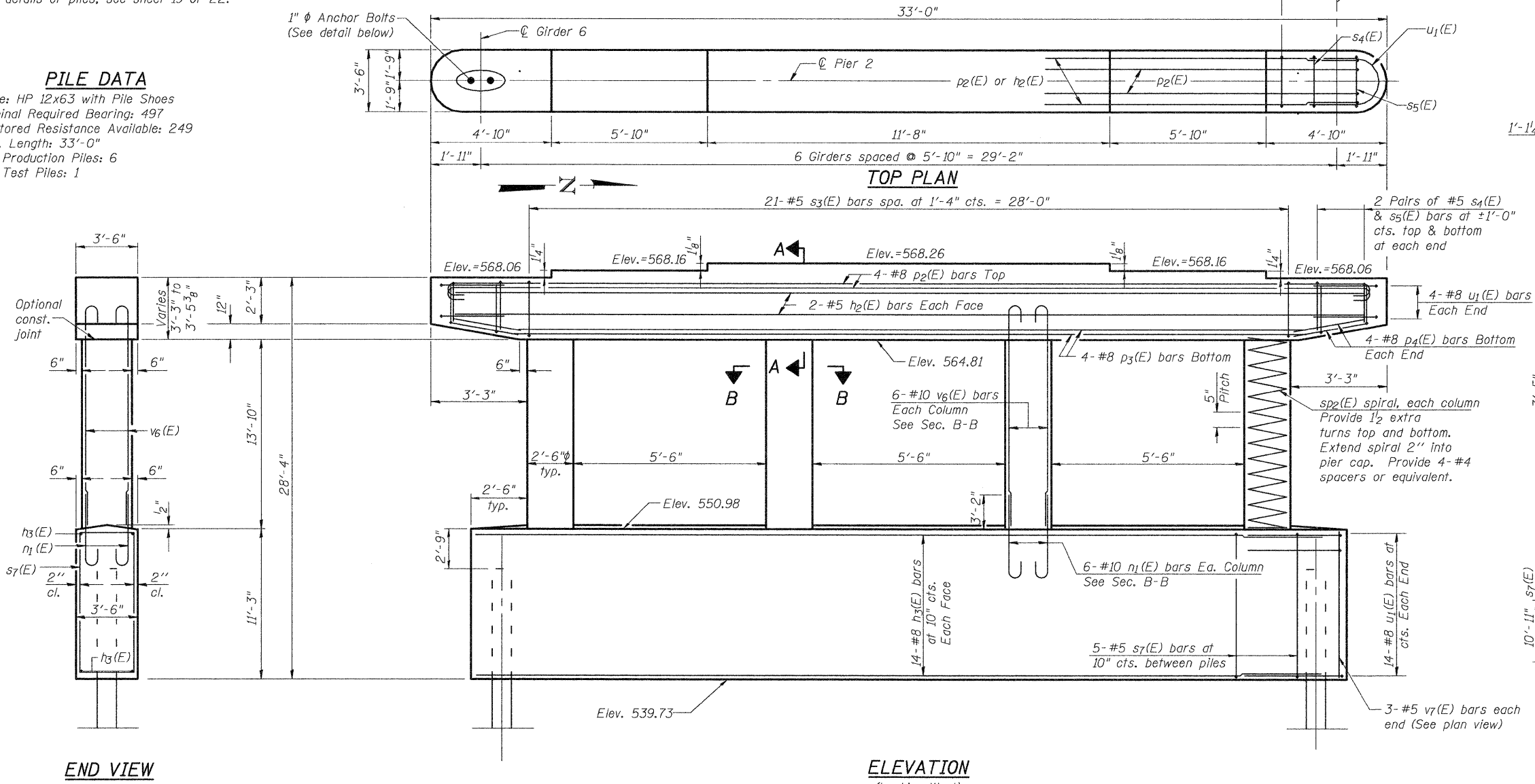


STATE OF ILLINOIS
DEPARTMENT OF TRANSPORTATION

Notes:
Space reinforcement in cap to miss anchor bolts.
Four steps monolithically with cap.
For details of piles, see sheet 19 of 22.

PILE DATA

Type: HP 12x63 with Pile Shoes
Nominal Required Bearing: 497
Factored Resistance Available: 249
Est. Length: 33'-0"
No. Production Piles: 6
No. Test Piles: 1



BILL OF MATERIAL

Bar	No.	Size	Length	Shape
h2(E)	4	#5	29'-6"	—
h3(E)	28	#8	28'-0"	—
n1(E)	24	#10	7'-2"	U
p2(E)	8	#8	31'-4"	U
p3(E)	8	#8	27'-2"	—
p4(E)	16	#8	2'-9"	—
s3(E)	21	#5	13'-1"	□
s4(E)	4	#5	8'-4"	□
s5(E)	4	#5	7'-8"	□
s7(E)	30	#5	29'-1"	□
sp2(E)	4	#5	14'-2"	~
u1(E)	36	#8	11'-9"	U
v6(E)	24	#10	17'-10"	U
v7(E)	6	#5	10'-11"	—

** Length is height of spiral.

A & B DIMENSIONS

Bar	A	B
S4	3'-2"	2'-7"
S5	3'-2"	2'-3"

PIER 2
KINMUNDY/LOUISVILLE ROAD
OVER ILLINOIS CENTRAL RR
STA. 475+50.44

DESIGNED	B.B.
CHECKED	C.J.F.
DRAWN	J.G.
CHECKED	C.J.F. & B.B.

BERNARDIN LOCHMUELLER & ASSOCIATES, INC.
3 Oak Drive
Maryville, IL 62062-5695
Local (618) 288-4665
Fax 618-288-4666

SHEET NO. 15 22 SHEETS	F.A.S. RTE. 2703	SECTION (9-VBR)B	COUNTY CLAY	TOTAL SHEETS 65	SHEET NO. 37
	SN 013-0044		CONTRACT NO. 74136		
FED. ROAD DIST. NO. 7 ILLINOIS FED. AID PROJECT					

2:59:36 PM 10/31/2008 _LPT\lpms03\004474136.dgn