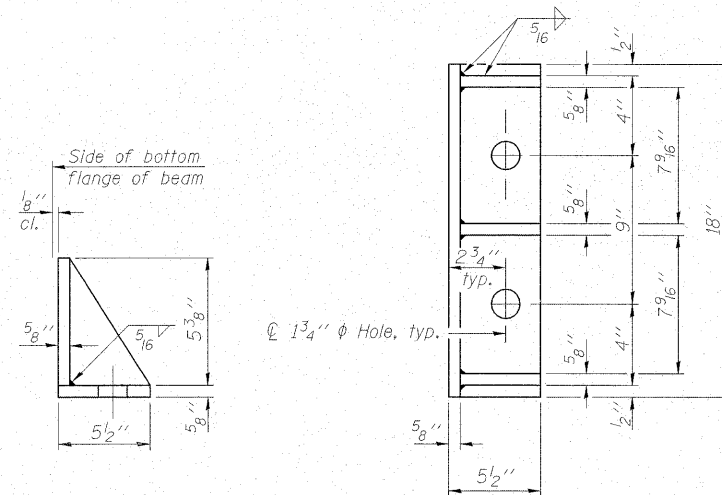


STATE OF ILLINOIS
DEPARTMENT OF TRANSPORTATION

ROUTE NO.	SECTION	COUNTY	TOTAL SHEETS	SHEET NO.
FAS 2801 IL 128	(102B) B-1	EFFINGHAM	51	34
FED. ROAD DIST. NO. 7	ILLINOIS	FED. AID PROJECT-		

SHEET NO. 12
23 SHEETS

Contract # 74232



SIDE RETAINER

Equivalent rolled angle with stiffeners will be allowed in lieu of welded plates.

Notes:

Reinforcement bars in diaphragm are billed with superstructure on sheet 11 of 23.

Concrete in diaphragm is included with Concrete Superstructure on sheet 11 of 23.

For details of bars s(E), s₁(E) and s₂(E) see sheet 11 of 23.

The s(E), s₁(E) and s₂(E) bars shall be placed parallel to the beams. Spacing for these bars shall be at right angles to the beams.

See sheet 13 of 23 for Sections A-A and B-B.

Cost of 90 Lb. roofing felt is included with Concrete Superstructure. The side retainer shall be galvanized after shop fabrication according to AASHTO M 111.

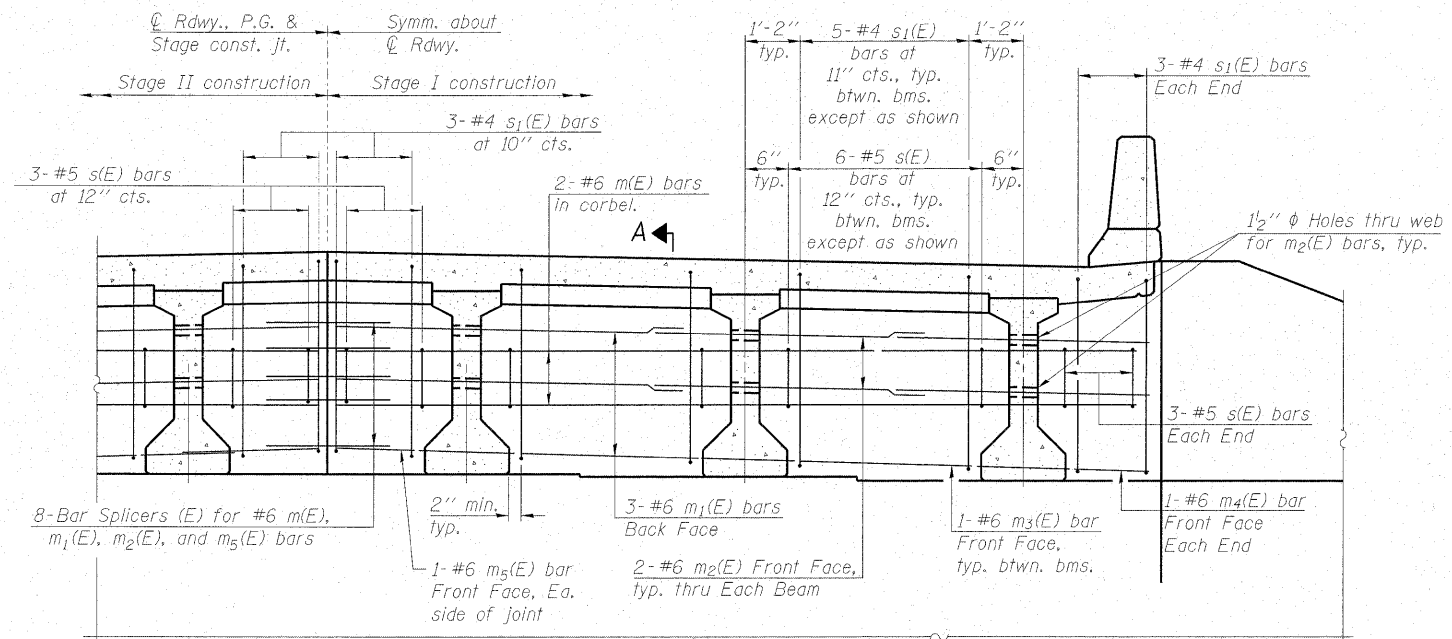
Anchor bolt assemblies shall be galvanized according to Article 1006.09 of the Standard Specifications.

Anchor bolts shall be ASTM F1554 all-thread (or an Engineer-approved alternate material) of the grade(s) and diameter(s) specified. ASTM A307 Grade C anchor bolts may be used in lieu of ASTM F1554 Grade 36 (F_y=36ksi). The corresponding specified grade of AASHTO M314 anchor bolts may be used in lieu of ASTM F1554.

Anchor bolts for side retainers may be either cast in place or installed in holes drilled after the supporting member is in place and prior to pouring the deck.

Drilled and set anchor bolts shall be installed according to Article 521.06 of the Standard Specifications.

Cost of side retainer and anchor bolts shall be included with Concrete Structures.

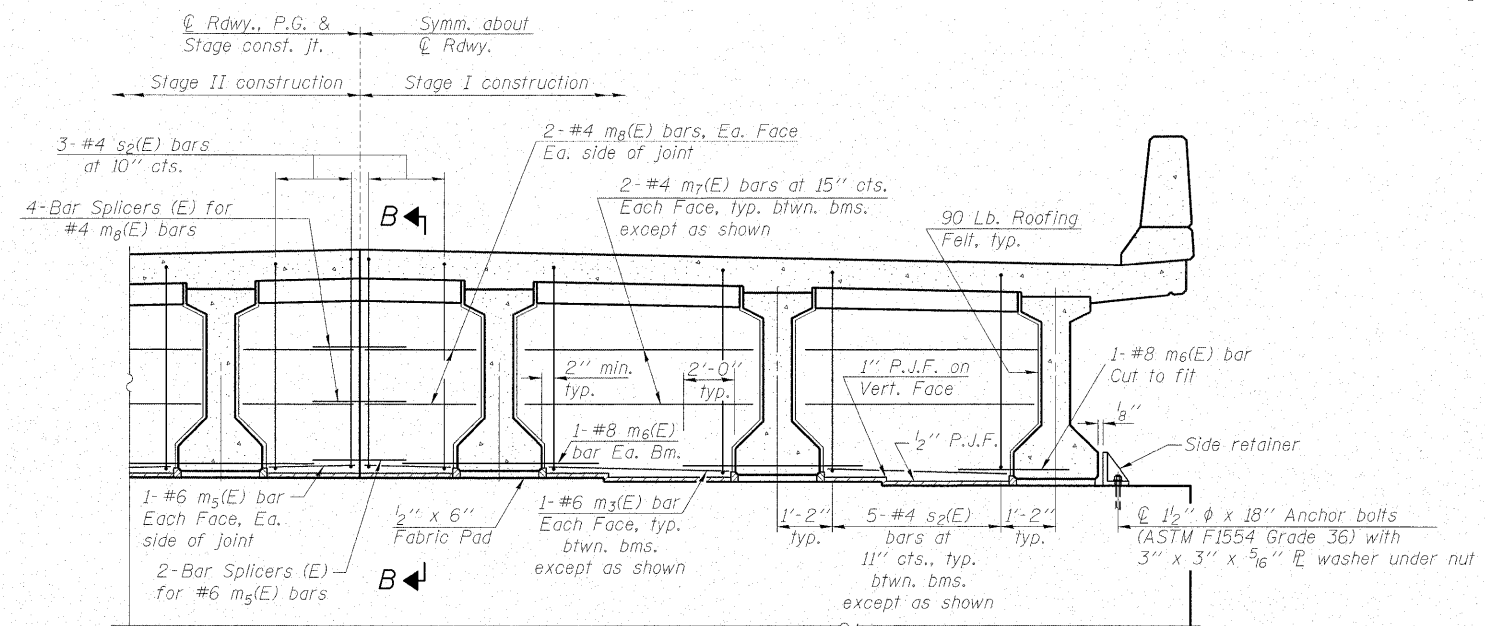


DIAPHRAGM ELEVATION AT ABUTMENT

(Looking North)
North abut. shown, South abut. similar

MIN. BAR LAP

#6 bar = 2'-9"



DIAPHRAGM ELEVATION AT PIER

(Looking North)



DESIGNED -	BAS
CHECKED -	KEF
DRAWN -	LAD
CHECKED -	RJA

DIAPHRAGM DETAILS
IL ROUTE 128 OVER WOLF CREEK
F.A.S. RTE. 2801 - SECTION (102B)B-1
EFFINGHAM COUNTY
STATION 974+76.00
STRUCTURE NO. 025-0105