

GENERAL NOTES

Prior to beginning any work at the bridge location, the bridges shall be inspected for Stage I Traffic. The Contractor shall coordinate with the Illinois Department of Transportation, Bureau of Operations, at least four weeks prior to work. Contact Tim Krumm at (618) 346-3258.

Prior to beginning any work at the bridge location, it is the responsibility of the Contractor to coordinate with and satisfy all requirements set forth by Metrolink for work that will be performed on, under, above, across or over the Metrolink right-of-way. See Special Provisions for Metrolink's policies and procedures for work performed on their right-of-way.

Fasteners shall be AASHTO M164 Type 1, mechanically galvanized bolts. Bolts 7/8" φ, holes 15/16" φ, unless otherwise noted.

Calculated weight of Structural Steel = 160,881 lbs. AASHTO M270 GR 36
Calculated weight of Structural Steel = 2,230,105 lbs. AASHTO M270 GR 50
No field welding is permitted except as specified in the contract documents.
Reinforcement bars shall conform to the requirements of ASTM A 706 Gr 60. See Special Provisions.

Reinforcement bars designated (E) shall be epoxy coated.
If the Contractor elects to use cantilever forming brackets on the exterior beams or girders, the brackets shall be placed at the same locations as required for the hardwood blocks in Article 503.06(b) of the Standard Specifications. If additional cantilever forming brackets are required, hardwood blocking shall be wedged between the exterior and first interior beam at each of these additional bracket locations.

Plan dimensions and details relative to existing plans are subject to nominal construction variations. The Contractor shall field verify existing dimensions and details affecting new construction and make necessary approved adjustments prior to construction or ordering of materials. Such variations shall not be cause for additional compensation for a change in scope of the work, however, the Contractor will be paid for the quantity actually furnished at the unit price bid for the work.

Bearing seat surfaces shall be constructed or adjusted to their designated elevations within a tolerance of 1/8" (0.01 ft.). Adjustment shall be made either by grinding the surface or by shimming the bearings.

Concrete Sealer shall be applied to the designated areas of the abutments. The existing structural steel coating contains lead. The Contractor shall take appropriate precautions to deal with the presence of lead on this project.

The concrete for bridge decks finished according to Article 503.16(a) of the Standard Specifications shall be placed and compacted parallel to the skew in uniform increments along centerline of bridge. The machine used for finishing shall be set parallel to the skew for striking off and screeding the concrete. Slipforming of the parapets is not allowed.

When the deck pour is stopped for the day at one or more of the transverse bonded construction joints in the deck pouring sequence as shown, the next pour shall not be made until both of the following are met:

- 1) At least 72 hours shall have elapsed from the end of the previous pour.
- 2) The concrete strength shall have attained a minimum flexural strength of 650 psi or a minimum compressive strength of 3500 psi.

The Organic Zinc Rich Primer / Epoxy / Urethane Paint System shall be used for painting of new structural steel except where otherwise noted. The entire system shall be shop applied, with the exception that masked off connection surfaces, field installed fasteners and damaged areas shall be touched up in the field. The color of the final finish coat for all interior steel surfaces shall be Gray, Munsell No. 5B 7/1. The color of the final finish coat for the exterior and bottom flange of the fascia beams shall be - Gray Munsell No. 5B 7-1. See Special Provision for "Cleaning and Painting New Metal Structures".

The SSPC QP-1 contractor certification will be required for this contract.

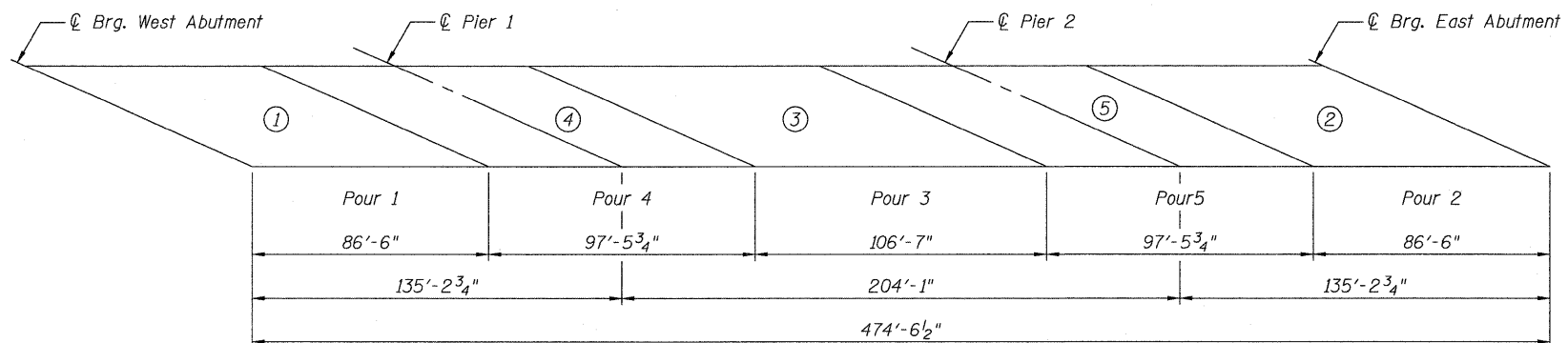
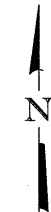
All structural bolting shall be done utilizing Load Indicating Washers according to Article 505.04(f)(2)(a) of the Standard Specifications unless otherwise noted. See Special Provisions.

INDEX OF SHEETS

- 1 General Plan
- 2 General Notes and Total Bill of Material
- 3 Staged Construction
- 4 Temporary Retention Details
- 5 Temporary Concrete Barrier
- 6-10 Top of Slab Elev. WB
- 11 Top of Slab Elev. WB W. Appr.
- 12 Top of Slab Elev. WB E. Appr.
- 13-17 Top of Slab Elev. EB
- 18 Top of Slab Elev. EB W. Appr.
- 19 Top of Slab Elev. EB E. Appr.
- 20-21 Superstructure WB
- 22-23 Superstructure EB
- 24 Parapet Details
- 25 Superstructure Details
- 26 Preformed Joint Strip Seal
- 27 Continuous Seal Neoprene Exp. Jts.
- 28 Drainage Scupper DS-11
- 29 Bridge Drainage System
- 30-31 Framing Plan
- 32 Girder Details
- 33-34 Structural Steel Details
- 35-37 Bearing Details
- 38-41 Abutment Concrete Removal Details
- 42-49 Abutment Details
- 50-54 Pier Details
- 55-56 Abutment Repair Details
- 57-58 Pier Concrete Removal & Repair Details
- 59 Bar Splicer (Coupler) Details

TOTAL BILL OF MATERIAL

ITEM	UNIT	SUPER	SUB	TOTAL
Removal of Existing Superstructures No. 1	Each	1		1
Removal of Existing Superstructures No. 2	Each	1		1
Structure Excavation	Cu. Yd.		333	333
Concrete Structures	Cu. Yd.		372.4	372.4
Concrete Superstructure	Cu. Yd.	1552.5		1552.5
Protective Coat	Sq. Yd.	6052		6052
Bridge Deck Grooving	Sq. Yd.	4905		4905
Reinforcement Bars, Epoxy Coated	Lb.	393,500	42,980	436,480
Bar Splicers	Each	2869	281	3150
Name Plates	Each	2		2
Furnishing and Erecting Structural Steel	LS	1		1
Stud Shear Connectors	Each	13026		13026
Drainage System	LS			1
Drainage Scuppers, DS-11	Each	8		8
Preformed Joint Strip Seal	Foot	252		252
Neoprene Expansion Joint 4"	Foot	242		242
Elastomeric Bearing Assembly, Type I	Each	17		17
Elastomeric Bearing Assembly, Type III	Each	17		17
High Load Multi-Rotational Bearings, Guided Expansion 650k	Each	17		17
Anchor Bolts, 1"	Each	84		84
Anchor Bolts, 1 1/4"	Each	34		34
Anchor Bolts, 1 1/2"	Each	34		34
Protective Shield	Sq. Yd.	1908		1908
Concrete Removal	Cu. Yd.		246.3	246.3
Concrete Sealer	Sq. Ft.		7138	7138
Epoxy Crack Injection	Foot		290	290
Structural Repair of Concrete (Depth Equal to or less than 5")	Sq. Ft.		271.4	271.4
Structural Repair of Concrete (Depth Greater than 5")	Sq. Ft.		27.0	27.0
Temporary Soil Retention System	Sq. Ft.		567	567



DECK POURING SEQUENCE

EB. and WB.

Note:
Use same sequence for East Bound and West Bound Structures.

**GENERAL NOTES AND
TOTAL BILL OF MATERIAL
STRUCTURE NO. 082-0162 (E.B.)
STRUCTURE NO. 082-0163 (W.B.)**

PLOT DATE = 8/7/2009
 FILE NAME = P:\0260601088_TMM_Dat\082Bridge Design\082-0162-0163.dgn
 PLOT SCALE = 0.10294 " = 1' / IN.
 USER NAME = jstein

COOMBE-BLOXDORF P.C. Engineers / Land Surveyors Springfield, Illinois Design Firm License No. 184-002703	PROJECT NO. 07004 SCALE DATE 5/12/09 DRAWN BY TFC CHECKED BY RM/MCB	SHEET NO. 2 59 SHEETS	F.A.I. RTE. 64 SECTION 82-2VB COUNTY ST. CLAIR CONTRACT NO. 76867	TOTAL SHEETS 153 SHEET NO. 57
	FED. ROAD DIST. NO. 7 ILLINOIS FED. AID PROJECT			