

EDGE BEAMS BAR SPLICER (E) SCHEDULE		
No.	Req'd. Spliced Bar	Location
8	a ₅ (E)	Top
2	a ₇ (E)	Bottom
6	**	Bottom

**Bar splicer stands alone in Stage I. See sheet 59 of 59 for detail.

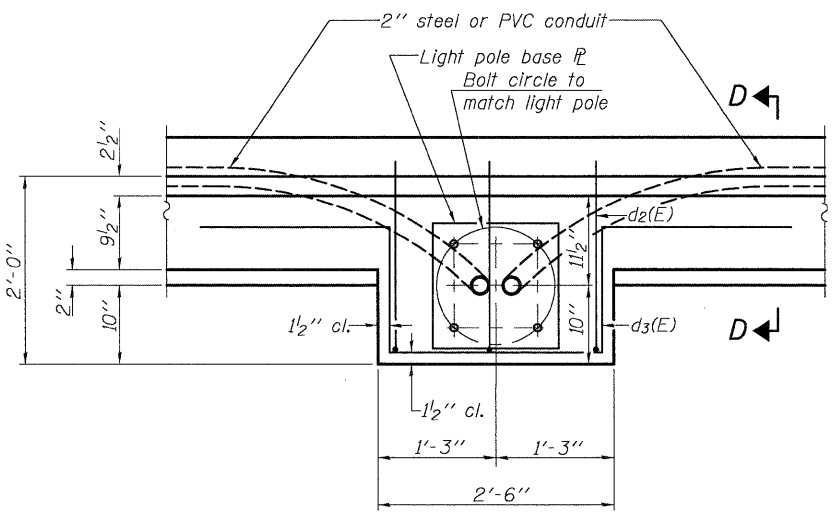
HALF PLAN
Showing Spans 2 & 3

*See Section B-B

MIN. BAR LAP

- #5 bars = 1'-8"
- #6 bars = 2'-0"
- #9 bars = 5'-9"

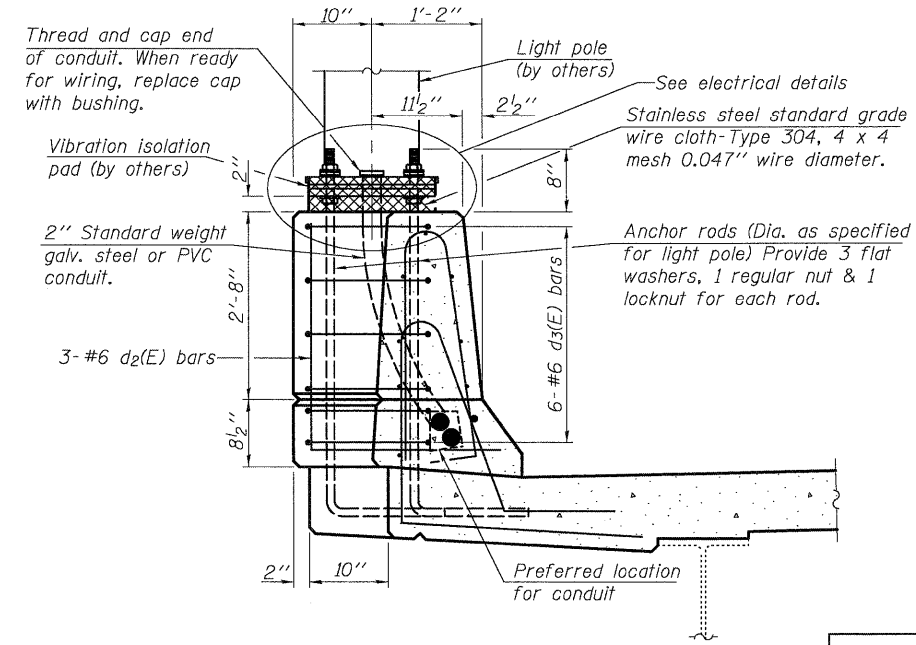
Notes:
See Sheet 25 of 59 for superstructure details, Bill of Material and Section B-B.
See Sheet 24 of 59 for parapet reinforcement.
See Sheet 28 of 59 for Scupper Details.
See Sheet 21 of 59 for Plan at Scupper Location.
Bars indicated thus 20 x 3-#5 etc. indicates 20 lines of bars with 3 lengths per line.



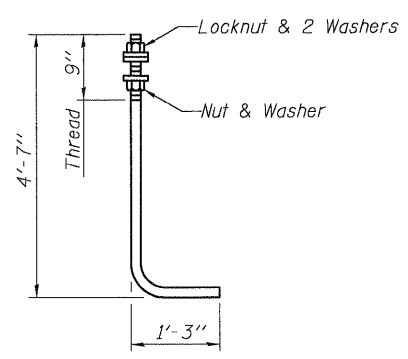
PLAN

Note:
Cost of anchor rods and conduit is included with Concrete Superstructure.

LIGHT POLE DETAIL



SECTION D-D



ANCHOR ROD
Diameter as specified for light poles. (ASTM F 1554 Grade 105)

COOMBE-BLOXDORF P.C. Engineers / Land Surveyors Springfield, Illinois Design Firm License No. 184-002703		PROJECT NO. 07004 SCALE DATE 12/10/08 DRAWN BY TFG CHECKED BY CME/MCB	SHEET NO. 23 59 SHEETS	F.A.I. RTE. 64 SECTION 82-2VB COUNTY ST. CLAIR TOTAL SHEETS 153 SHEET NO. 78 CONTRACT NO. 76867	FED. ROAD DIST. NO. 7 ILLINOIS FED. AID PROJECT
--	--	---	---------------------------	--	--

USER NAME = CFC.