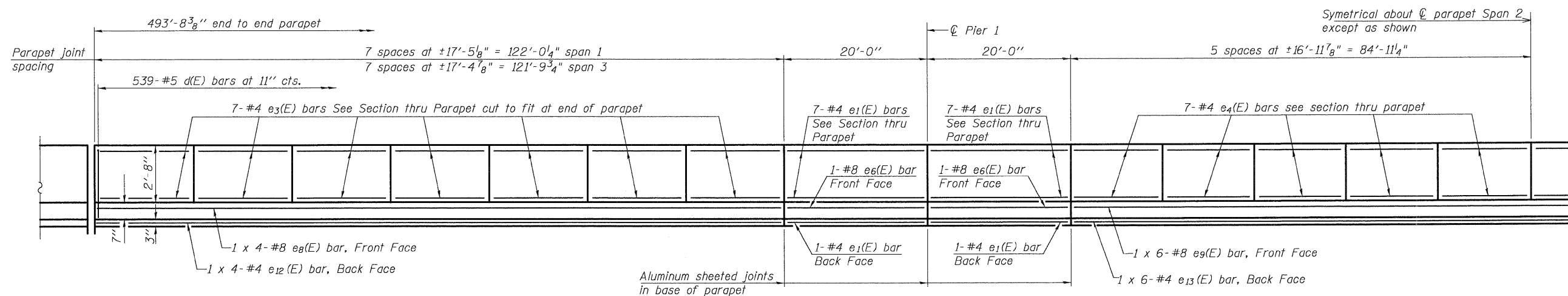


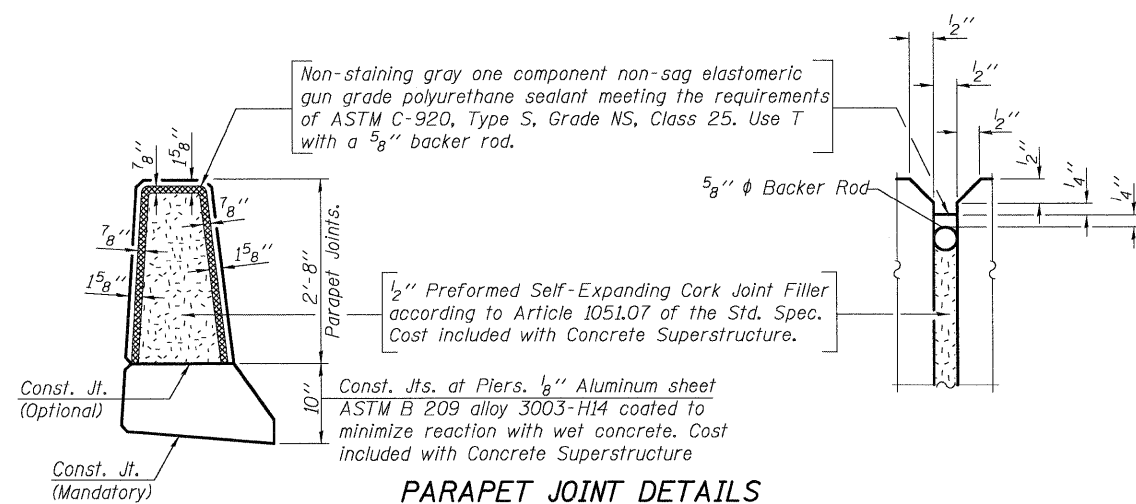
INSIDE ELEVATION OF PARAPET

Showing N & S Parapet, EB Structure &
Showing S. Parapet WB Structure



INSIDE ELEVATION OF PARAPET

Showing N. Parapet, WB Structure



PARAPET JOINT DETAILS

MIN. BAR LAP

#4 bars = 1'-8"
#8 bars = 4'-6"

Note:
See Sheet 25 of 59 for Section
thru parapet.

PARAPET DETAILS
STRUCTURE NO. 082-0162 (EB)
STRUCTURE NO. 082-0163 (WB)

COOMBE-BLOXDORF P.C. Engineers / Land Surveyors Springfield, Illinois Design Firm License No. 184-002703	PROJECT NO. 07004 SCALE DATE 12/17/08 DRAWN BY TFG CHECKED BY RM/MCB	SHEET NO. 24 59 SHEETS	F.A.I. RTE. 64 SECTION 82-2VB COUNTY ST. CLAIR CONTRACT NO. 76867	TOTAL SHEETS 153 SHEET NO. 79
	FED. ROAD DIST. NO. 7 ILLINOIS FED. AID PROJECT			