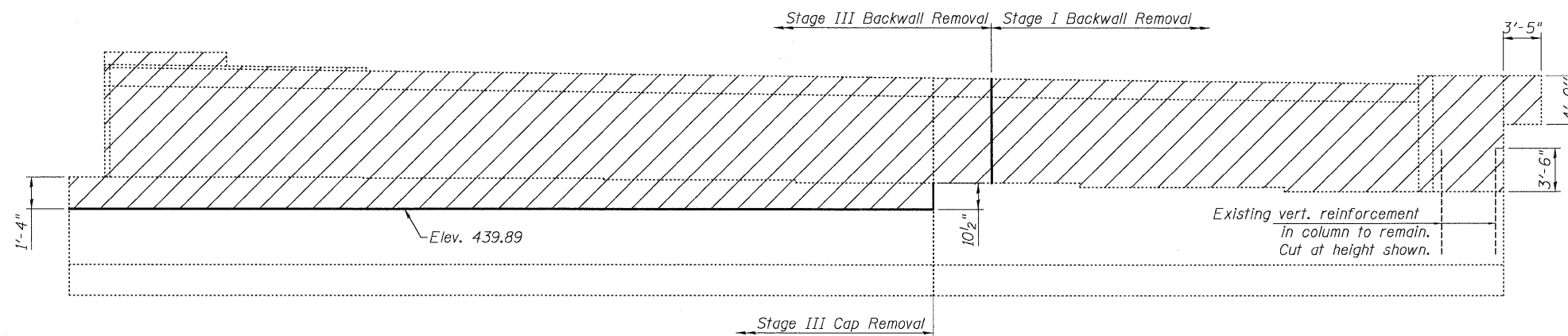
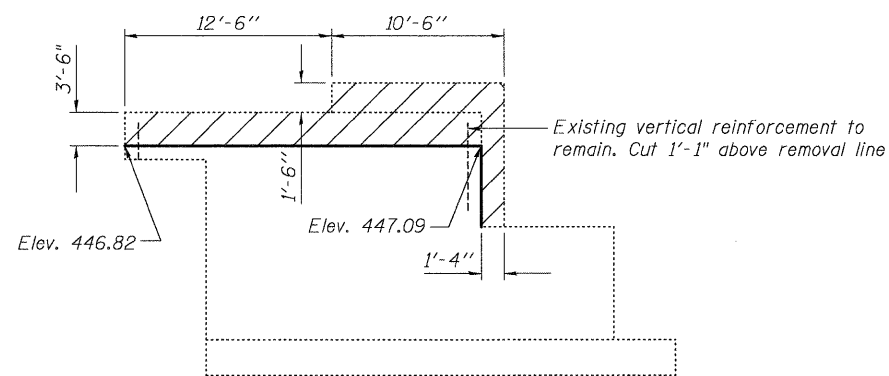


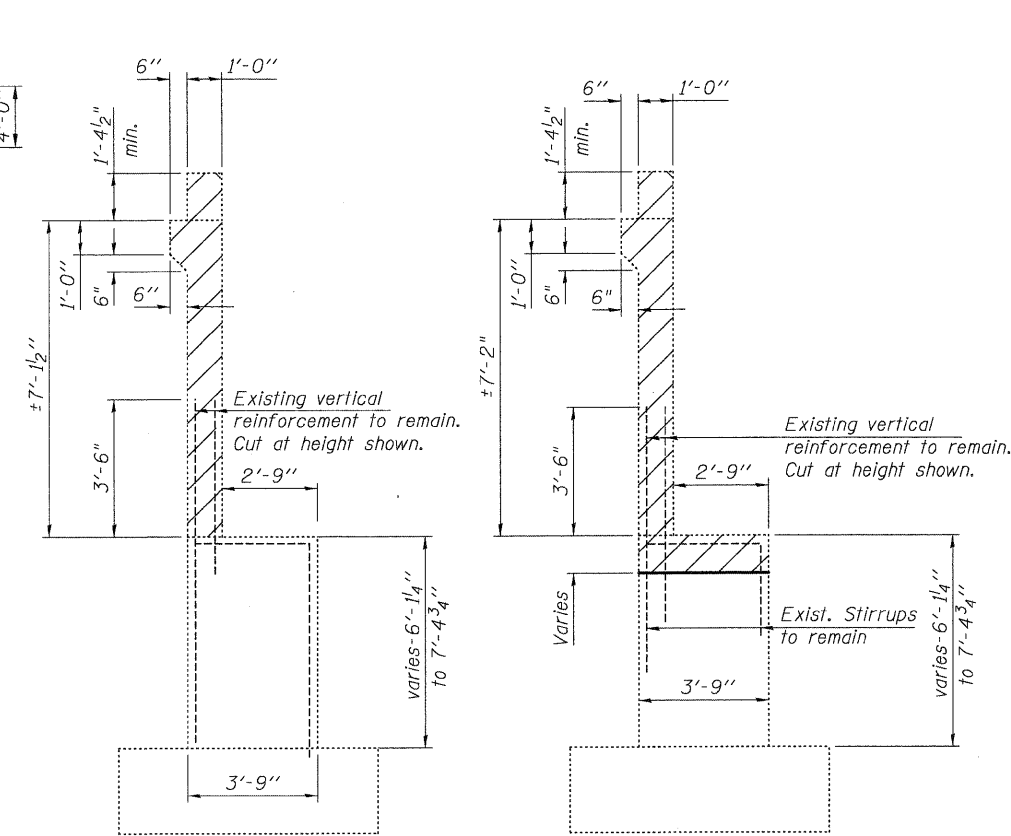
PLAN



ELEVATION
(Looking East)
(not showing median wall)



Section A-A
(showing wingwall removal)



SECTION THRU ABUTMENT
(Showing Stage I)

SECTION THRU ABUTMENT
(Showing Stage III Cap Removal)

NOTES

Hatched areas indicate Concrete Removal.
Existing reinforcement not extending into the areas of new construction shall be cut at the removal line and removed. Exposed portion will be cleaned and coated with a layer of epoxy. Cost included with Concrete Removal.
Existing reinforcement extending into the areas of new construction are to be cleaned, straightened and incorporated into the new construction. All reinforcement bars being reused that are damaged during concrete removal shall be replaced with an approved bar splicer or anchorage system. Cost included with Concrete Removal.

BILL OF MATERIAL

ITEM	UNIT	QUANTITY
Concrete Removal	Cu. Yd.	60.7

**CONCRETE REMOVAL DETAILS
EAST ABUTMENT WB
STRUCTURE NO. 082-0162 (EB)
STRUCTURE NO. 082-0163 (WB)**

COOMBE-BLOXDORF P.C. Engineers / Land Surveyors Springfield, Illinois Design Firm License No. 184-002703	PROJECT NO. 07004 SCALE DATE 1/07/09 DRAWN BY TFG CHECKED BY RM/MCB	SHEET NO. 39 59 SHEETS	F.A.I. RTE. 64 SECTION 82-2VB COUNTY ST. CLAIR CONTRACT NO. 76867	TOTAL SHEETS 153 SHEET NO. 94
	FED. ROAD DIST. NO. 7 ILLINOIS FED. AID PROJECT			