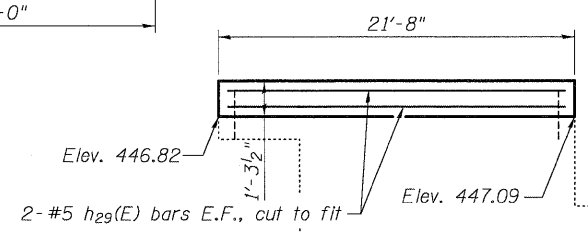
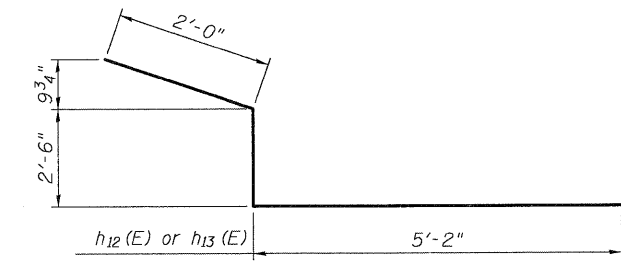


**DETAIL C**  
East Abut. W.B. South End  
(Hatched block not shown)

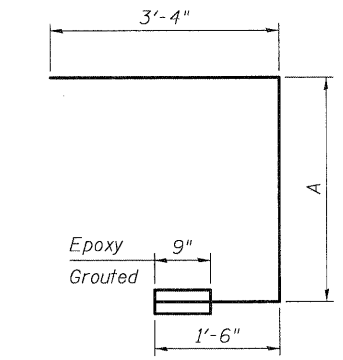


**BAR p8(E)**

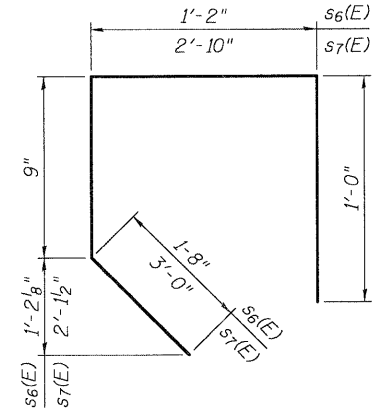
**BAR d4(E)**



**BAR h12(E)**



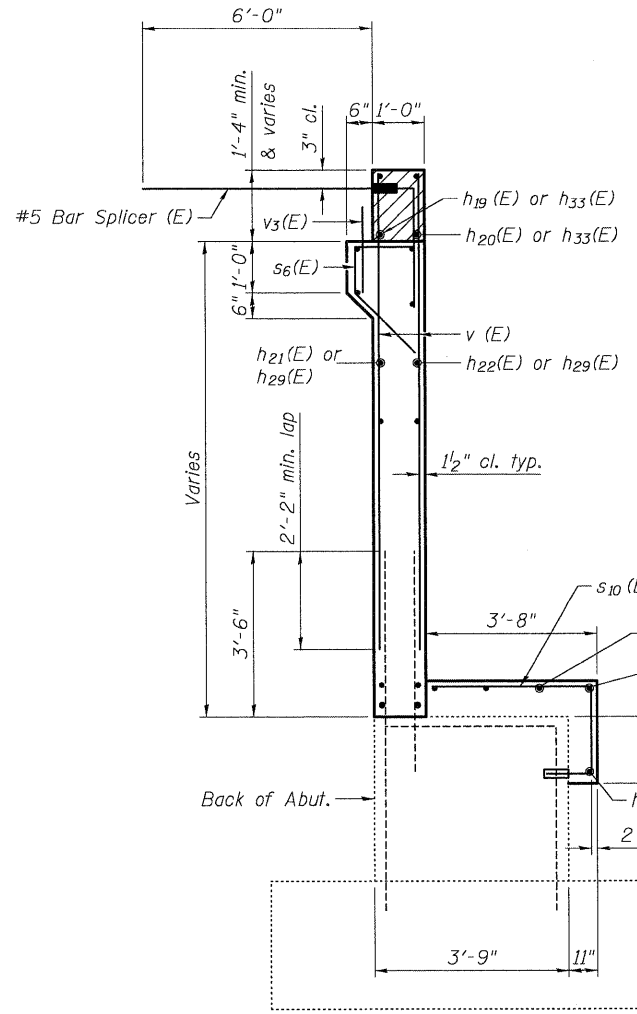
**BARS s4(E), s10(E) & s16(E)**



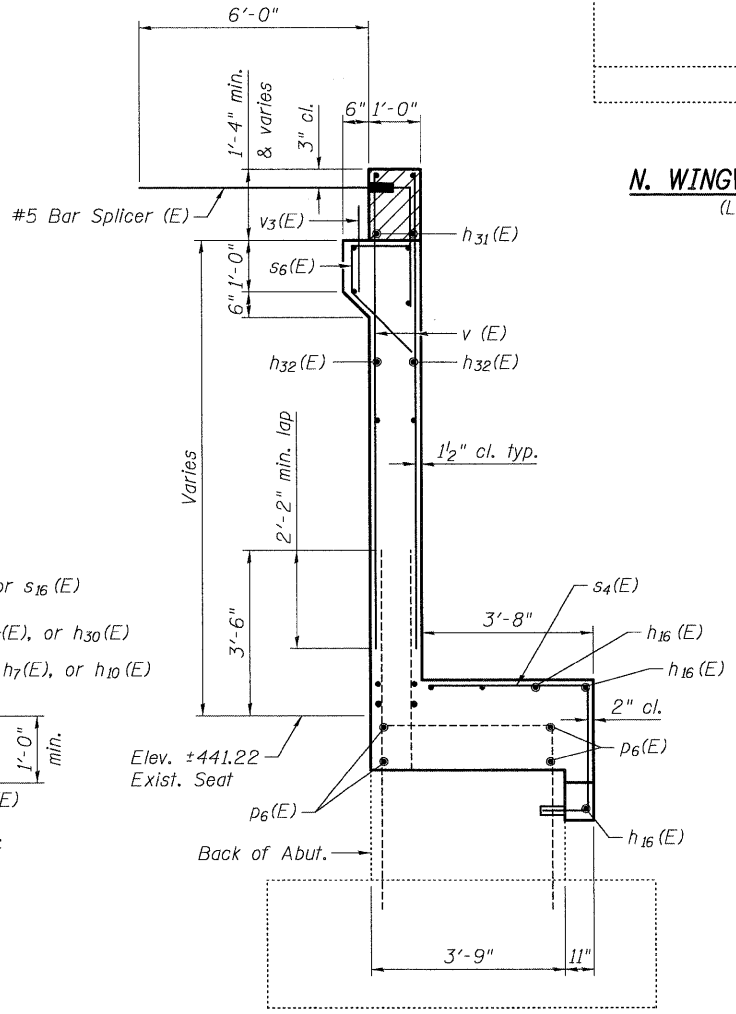
**BARS s6(E) & s7(E)**

BAR	A
s4(E)	2'-5"
s10(E)	1'-10"
s16(E)	1'-6"

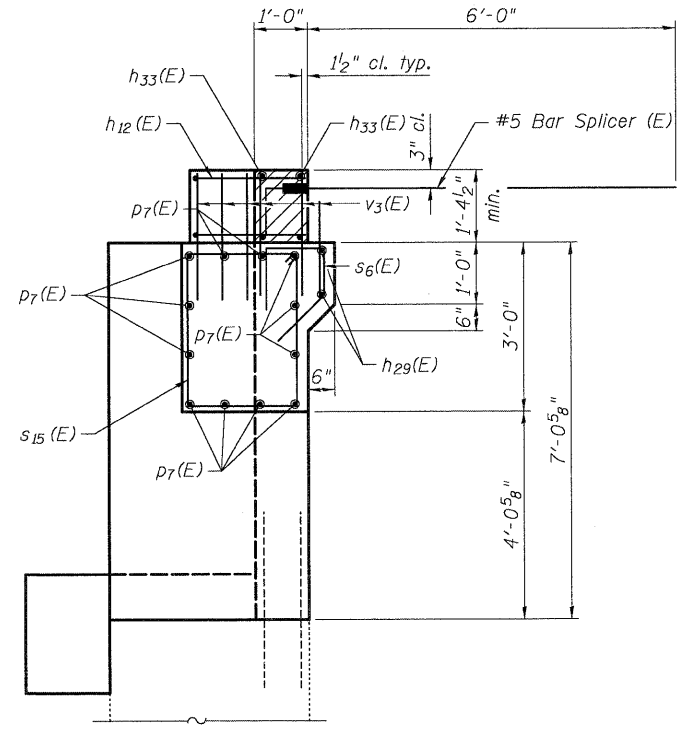
**N. WINGWALL ELEVATION**  
(Looking South)



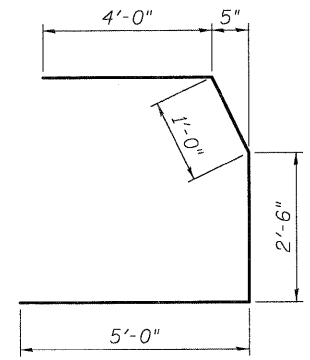
**SECTION THRU ABUTMENT**  
(South of expansion joint)  
(Stage I Construction)



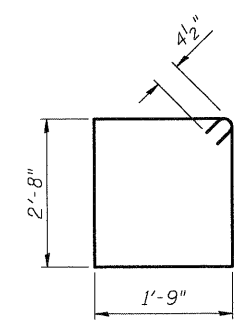
**SECTION THRU ABUTMENT**  
(North of expansion joint)  
(Stage III Construction)



**SECTION A-A**  
(Hatched block shown)

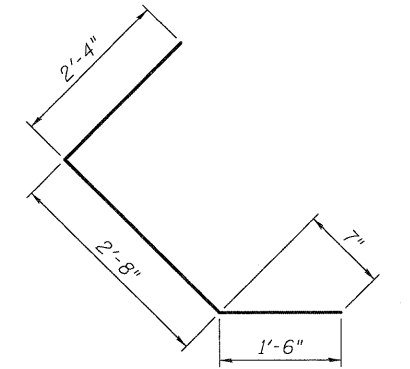


**BAR s13(E)**



**BAR s15(E)**

BILL OF MATERIAL				
Bar	No.	Size	Length	Shape
d4(E)	7	#5	7'-8"	┌
h7(E)	1	#5	29'-10"	—
h10(E)	4	#5	22'-4"	—
h12(E)	2	#6	9'-8"	┌
h16(E)	15	#5	26'-1"	—
h19(E)	2	#6	8'-6"	—
h20(E)	2	#6	6'-3"	—
h21(E)	8	#5	8'-6"	—
h22(E)	8	#5	6'-3"	—
h29(E)	36	#5	21'-5"	—
h30(E)	3	#5	12'-0"	—
h31(E)	12	#6	25'-2"	—
h32(E)	48	#5	24'-10"	—
h33(E)	8	#6	22'-9"	—
p6(E)	8	#7	37'-8"	—
p7(E)	12	#7	9'-8"	—
p8(E)	4	#7	10'-4"	┌
s4(E)	70	#4	7'-3"	┌
s6(E)	121	#4	4'-7"	┌
s7(E)	2	#4	7'-7"	┌
s10(E)	30	#4	6'-8"	┌
s13(E)	8	#4	12'-6"	┌
s14(E)	8	#4	6'-6"	┌
s15(E)	6	#4	9'-7"	┌
s16(E)	10	#4	6'-4"	┌
v(E)	224	#5	7'-9"	—
v3(E)	139	#5	2'-2"	—
v4(E)	16	#5	6'-8"	—
Concrete Structures		Cu. Yd.	69.7	
Reinforcement Bars, Epoxy Coated		Pound	7810	
Bar Splicers		Each	69	
Structure Excavation		Cu. Yd.	81	
Concrete Sealer		Sq. Ft.	1719	



**BAR s14(E)**

Notes:  
Hatched area to be poured after superstructure false work has been removed. Quantity of concrete included with Concrete Superstructure.  
Space reinforcement in cap to miss anchor bolts. For details of Bar Splicers, See Sheet 59 of 59.  
Concrete sealer shall be applied to the front face of the proposed backwall and hatched area and to the top and front face of the proposed abutment cap.

**EAST ABUTMENT WB**  
**STRUCTURE NO. 082-0162 (EB)**  
**STRUCTURE NO. 082-0163 (WB)**

COOMBE-BLOXDORF P.C. Engineers / Land Surveyors Springfield, Illinois Design Firm License No. 184-002703	PROJECT NO. 07004 SCALE DATE 5/07/09 DRAWN BY TFG CHECKED BY RM/MCB	SHEET NO. 45	F.A.I. RTE. 64	SECTION 82-2VB	COUNTY ST. CLAIR	TOTAL SHEETS 153	SHEET NO. 100
		59 SHEETS	CONTRACT NO. 76867				FED. ROAD DIST. NO. 7 ILLINOIS FED. AID PROJECT