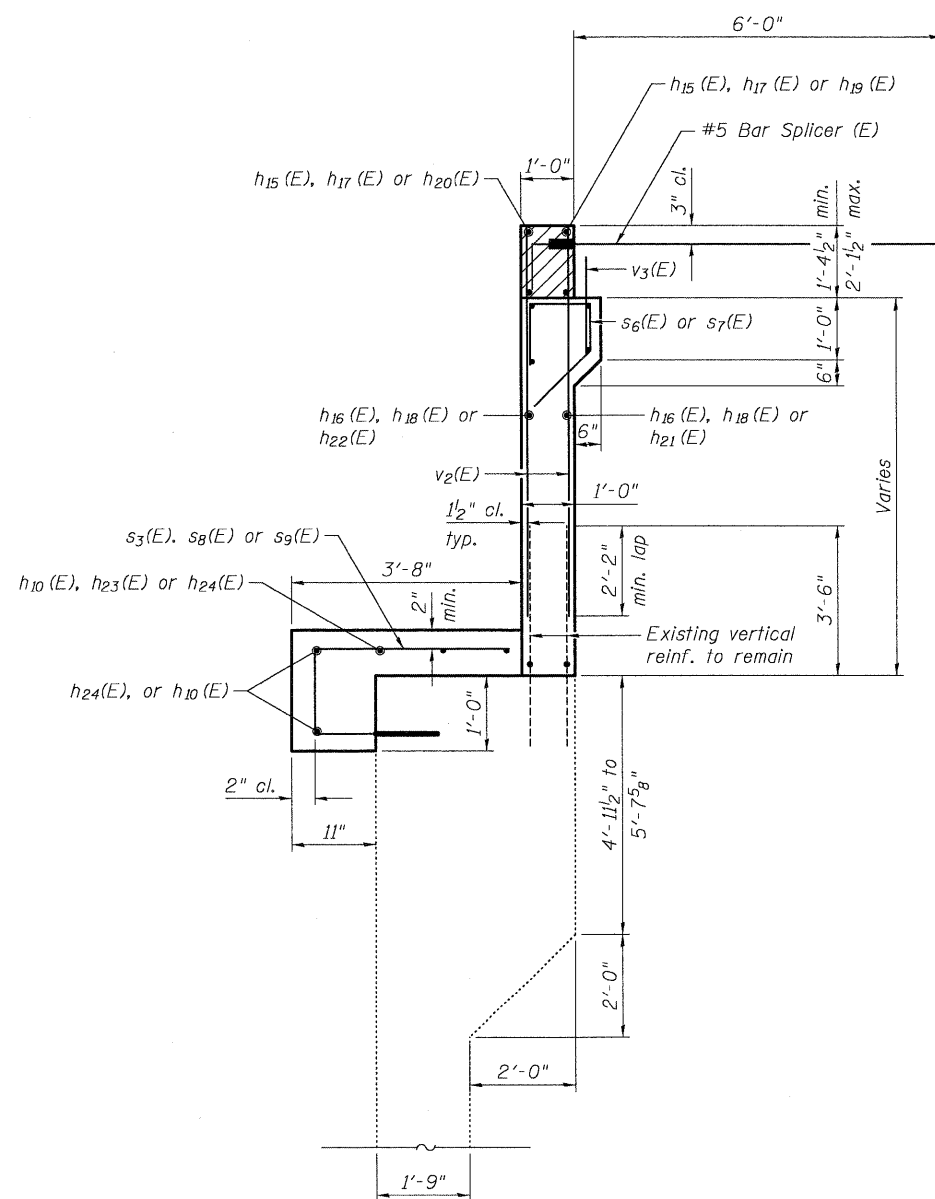
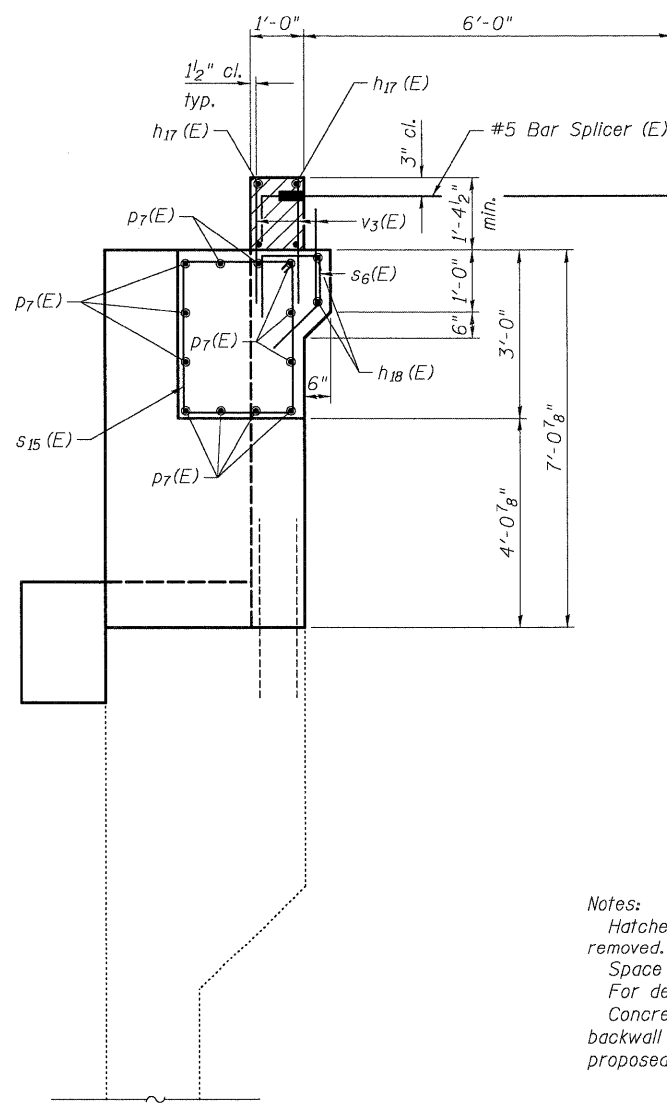


DETAIL C

West Abut. E.B. North End
(Hatched block not shown)

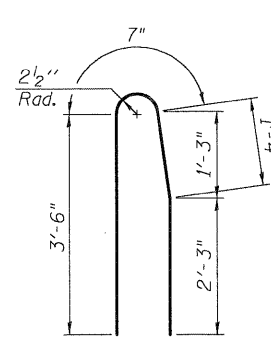


SECTION THRU ABUTMENT

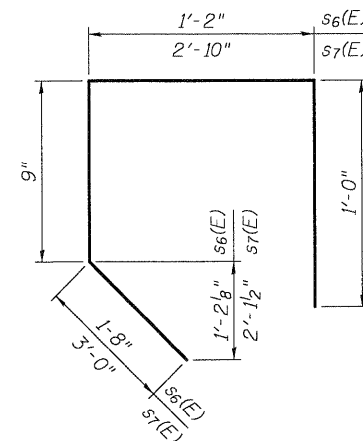


SECTION A-A

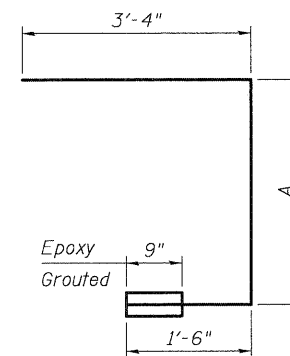
BAR p8(E)



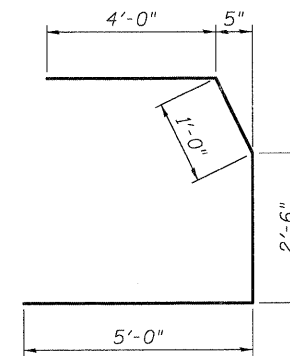
BAR d4(E)



BAR s6(E) & s7(E)

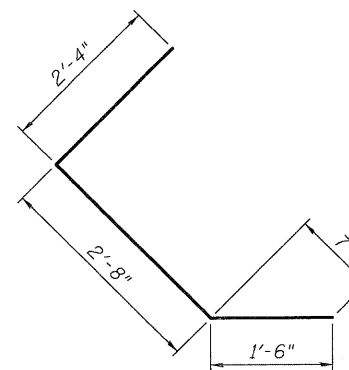


BAR s3(E), s8(E) & s9(E)

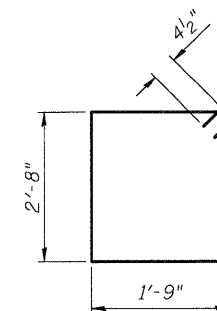


BAR s13(E)

BAR	A
s3(E)	1'-11"
s8(E)	1'-4 1/2"
s9(E)	1'-5 1/2"



BAR s14(E)



BAR s15(E)

BILL OF MATERIAL

Bar	No.	Size	Length	Shape
d4(E)	4	#5	7'-8"	U
h10(E)	10	#5	22'-4"	—
h15(E)	12	#6	26'-5"	—
h16(E)	42	#5	26'-1"	—
h17(E)	8	#6	23'-4"	—
h18(E)	28	#5	22'-7"	—
h19(E)	2	#6	8'-6"	—
h20(E)	2	#6	6'-3"	—
h21(E)	8	#5	8'-6"	—
h22(E)	8	#5	6'-3"	—
h23(E)	4	#5	11'-7"	—
h24(E)	15	#5	26'-5"	—
p7(E)	12	#7	9'-8"	—
p8(E)	4	#7	10'-4"	—
s3(E)	12	#4	6'-9"	L
s6(E)	122	#4	4'-7"	—
s7(E)	2	#4	7'-7"	L
s8(E)	74	#4	6'-3"	L
s9(E)	29	#4	6'-4"	L
s13(E)	8	#4	12'-6"	L
s14(E)	8	#4	6'-6"	L
s15(E)	6	#4	9'-7"	L
v2(E)	226	#5	7'-11"	—
v3(E)	140	#5	2'-2"	—
v4(E)	16	#5	6'-8"	—
Concrete Structures	Cu. Yd.	53.1		
Reinforcement Bars, Epoxy Coated	Pound	7080		
Bar Splicers	Each	68		
Structure Excavation	Cu. Yd.	82		
Concrete Sealer	Sq. Ft.	1670		

Notes:
Hatched area to be poured after superstructure false work has been removed. Quantity of concrete included with Concrete Superstructure.
Space reinforcement in cap to miss anchor bolts.
For details of Bar Splicers, See Sheet 59 of 59.
Concrete sealer shall be applied to the front face of the proposed backwall and hatched area and to the top and front face of the proposed abutment cap.

**WEST ABUTMENT EB
STRUCTURE NO 082-0162 (E.B.)
STRUCTURE NO 082-0163 (W.B.)**

COOMBE-BLOXDORF P.C. Engineers / Land Surveyors Springfield, Illinois Design Firm License No. 184-002703	PROJECT NO. 07004 SCALE DATE 1/08/09 DRAWN BY TFG CHECKED BY RM/MCB	SHEET NO. 47	F.A.I. RTE.	SECTION	COUNTY	TOTAL SHEETS	SHEET NO.
		59 SHEETS	64	82-2VB	ST. CLAIR	153	102
			CONTRACT NO. 76867		FED. ROAD DIST. NO. 7 ILLINOIS FED. AID PROJECT		