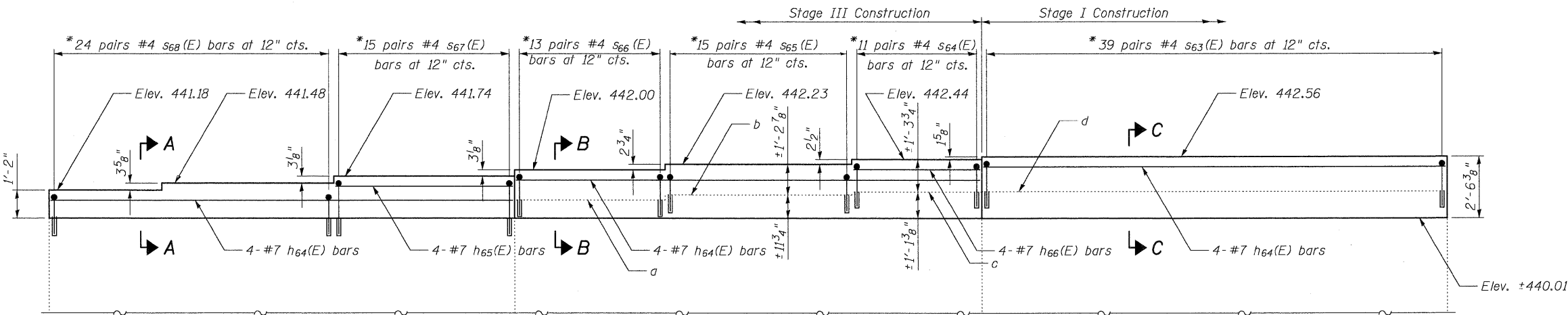


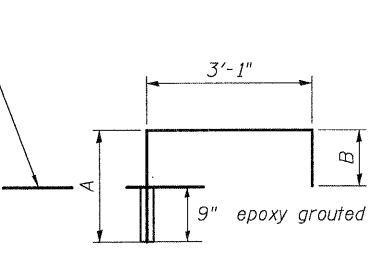
PLAN PIER 1

BILL OF MATERIAL

Bar	No.	Size	Length	Shape
h64(E)	12	#7	38'-6"	—
h65(E)	4	#7	14'-8"	—
h66(E)	4	#7	10'-5"	—
s63(E)	78	#4	7'-3"	□
s64(E)	22	#4	7'-1"	□
s65(E)	30	#4	6'-4"	□
s66(E)	26	#4	6'-6"	□
s67(E)	30	#4	6'-10"	□
s68(E)	48	#4	5'-8"	□
Concrete Structures			Cu. Yd.	26.9
Reinforcement Bars,			Pound	2190
Epoxy Coated				



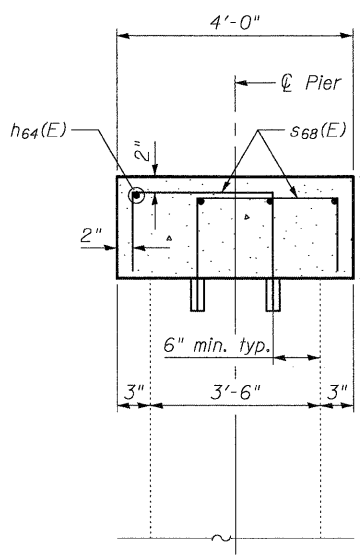
ELEVATION PIER 1
(Looking East)



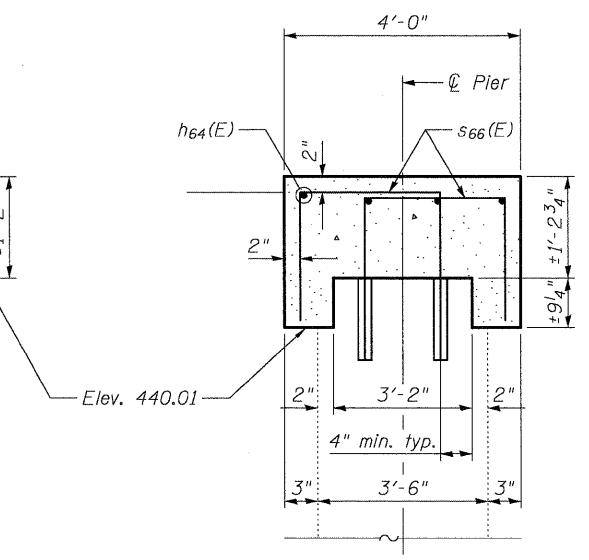
BAR s63(E) thru s68(E)

A & B DIMENSIONS

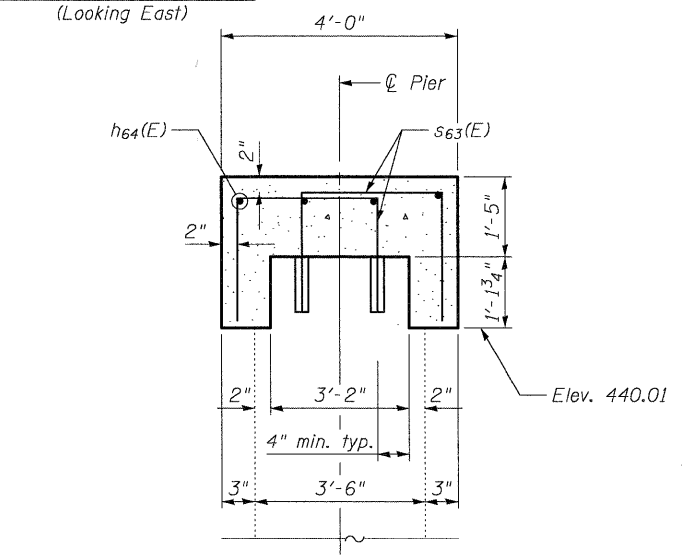
Bar	A	B
s63(E)	1'-11 1/2"	2'-2 1/2"
s64(E)	1'-11"	2'-1"
s65(E)	1'-7"	1'-8"
s66(E)	1'-9 1/2"	1'-7 1/2"
s67(E)	2'-4"	1'-5"
s68(E)	1'-9"	10"



SECTION A-A



SECTION B-B



SECTION C-C

* Epoxy grout s63 (E) bars thru s68 (E) into 3/4" x 9" min drilled holes.
The center of the hole shall be drilled a minimum of 4" (Sec B-B & Sec C-C) or 6" (Sec A-A) from the face of the remaining existing structure.
See Section 584 of the Standard Specifications.
Locate holes to miss existing cap reinforcement.
Offset holes for each pair of S63(E) thru S68(E) bars by 1/2".
See sheet 57 of 59 for concrete removal and repair details.

TABLE OF EXISTING SEAT ELVES.

a	440.78
b	441.00
c	441.13
d	441.16

PIER 1 WB STRUCTURE
STRUCTURE NO. 082-0162 (E.B.)
STRUCTURE NO. 082-0163 (W.B.)

COOMBE-BLOXDORF P.C. Engineers / Land Surveyors Springfield, Illinois Design Firm License No. 184-002703	PROJECT NO. 07004 SCALE DATE 5/12/09 DESIGN BY MCB DRAWN BY CFC CHECKED BY MCB	SHEET NO. 50 59 SHEETS	F.A.I. RTE. 64 SECTION 82-2VB COUNTY ST. CLAIR CONTRACT NO. 76867	TOTAL SHEETS 153 SHEET NO. 105
	FED. ROAD DIST. NO. 7 ILLINOIS FED. AID PROJECT			

USER NAME = CFC