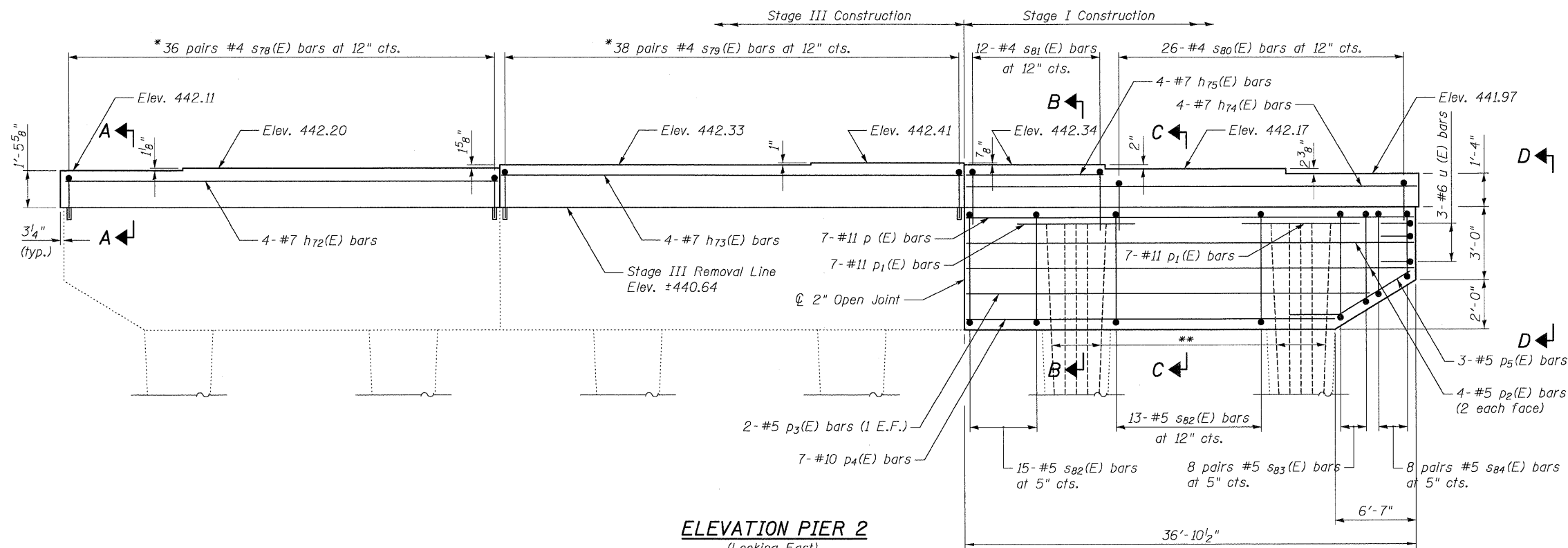


PLAN PIER 2



ELEVATION PIER 2
(Looking East)

* Epoxy grout s78(E) and s79(E) bars into 3/4" x 9" drilled holes. The center of the hole shall be drilled a minimum of 4" from the face of the existing structure. See Section 584 of the Standard Specifications. Offset holes for each pair of s78(E) and s79(E) bars by 1/2". Locate holes to miss existing reinforcement. ** Existing vertical bars to remain.

MIN. BAR LAP
#5 bars = 1'-8"

Note:
See sheet 52 of 59 for additional details, notes and Bill of Material.

PIER 2 WB STRUCTURE
STRUCTURE NO. 082-0162 (E.B.)
STRUCTURE NO. 082-0163 (W.B.)

COOMBE-BLOXDORF P.C. Engineers / Land Surveyors Springfield, Illinois Design Firm License No. 184-002703	PROJECT NO. 07004 SCALE DATE / / DESIGN BY MCB DRAWN BY CFC CHECKED BY MCB	SHEET NO. 51 59 SHEETS	F.A.I. RTE. 64	SECTION 82-2VB	COUNTY ST. CLAIR	TOTAL SHEETS 153	SHEET NO. 106
				CONTRACT NO. 76867			
				FED. ROAD DIST. NO. 7 ILLINOIS FED. AID PROJECT			

USER NAME = CFC