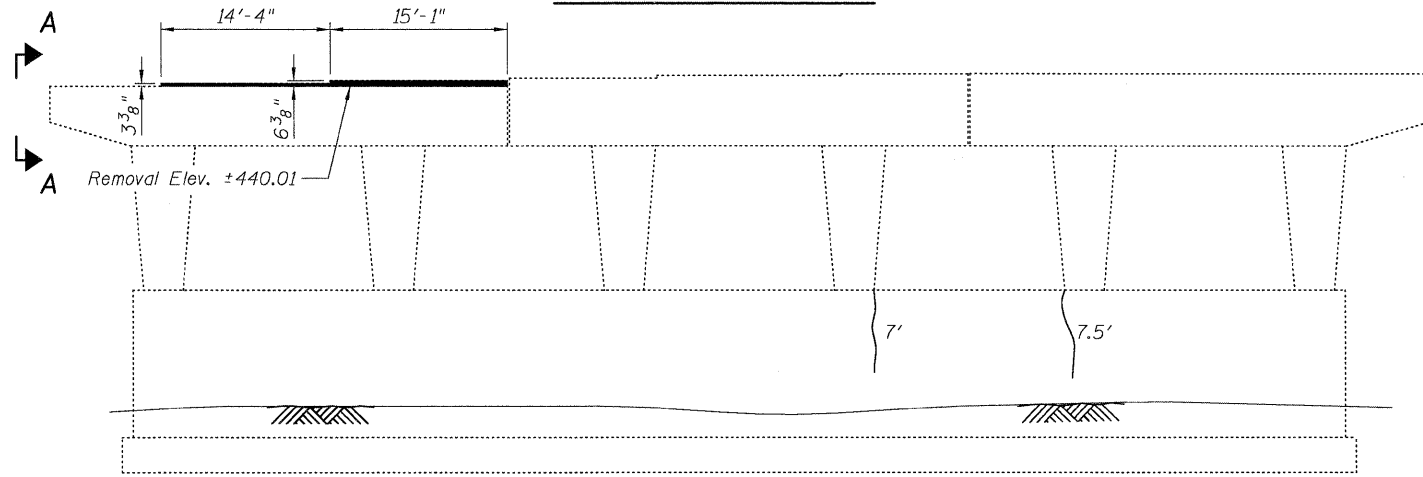
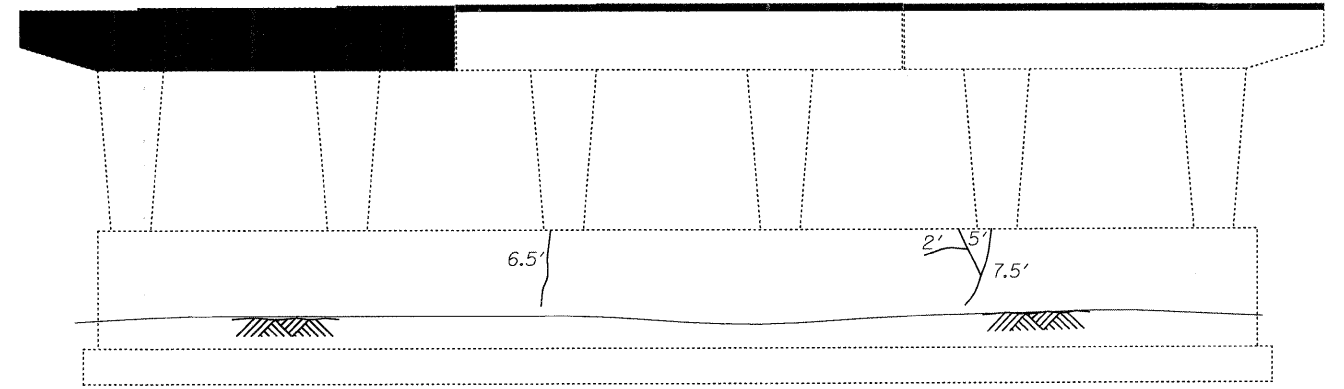


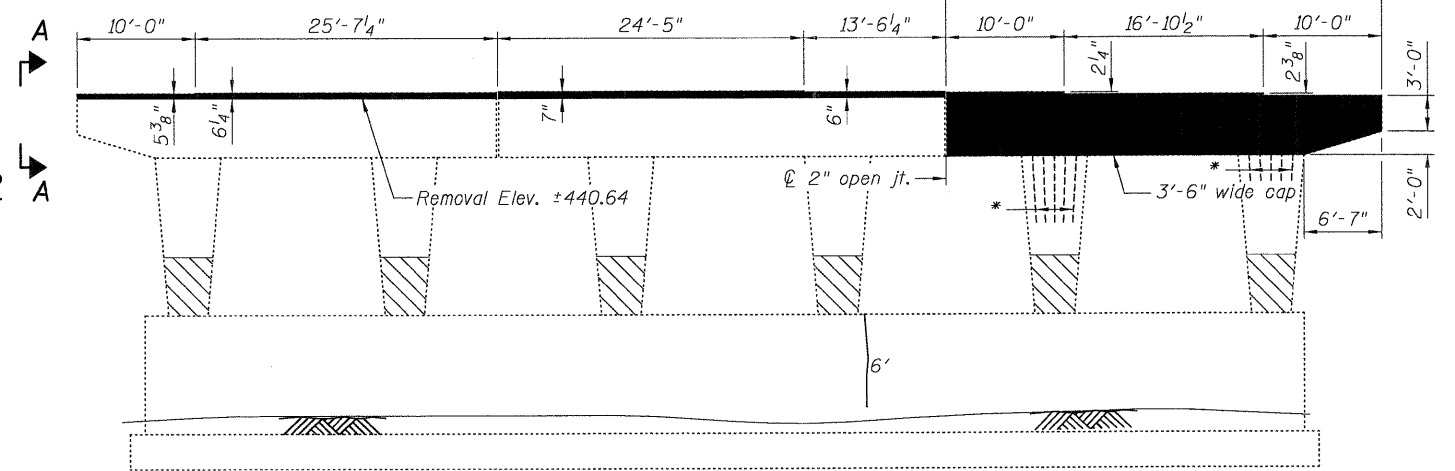
PIER 1 WB EAST FACE



PIER 1 WB WEST FACE

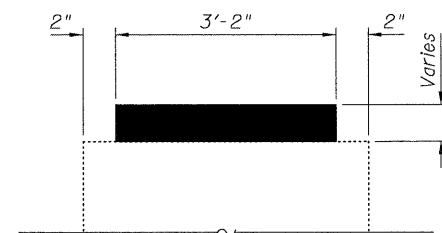


PIER 2 WB EAST FACE



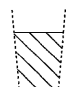



PIER 2 WB WEST FACE

**S END CAP
PIER 1 WB**



VIEW A-A

LEGEND

-  Previous Wrap Repair
-  Denotes Structural Repair of Concrete (Depth Equal to or Less Than 5")
-  Denotes Concrete Removal
-  Denotes Epoxy Crack Injection

NOTES

* Existing vertical reinforcement extending into the areas of new construction are to be cleaned, straightened and incorporated into the new construction. All reinforcement bars being reused that are damaged during concrete removal shall be replaced with an approved bar splicer or anchorage system. Cost included with Concrete Removal.

**BILL OF MATERIAL
TWO PIERS**

Material	Unit	Quantity
Structural Repair of Concrete (Depth Equal to or Less Than 5")	Sq. Ft.	0.1
Epoxy Crack Injection	Ft.	59
Concrete Removal	Cu. Yd.	29.8

**PIER CONCRETE REMOVAL
AND REPAIR DETAILS WB LANES
STRUCTURE NO. 082-0162 (E.B.)
STRUCTURE NO. 082-0163 (W.B.)**

COOMBE-BLOXDORF P.C. Engineers / Land Surveyors Springfield, Illinois Design Firm License No. 184-002703	PROJECT NO. 07004 SCALE DATE 1/09/09 DRAWN BY TFC CHECKED BY RM/MCB	SHEET NO. 57 59 SHEETS	F.A.I. RTE. 64 SECTION 82-2VB COUNTY ST. CLAIR CONTRACT NO. 76867	TOTAL SHEETS 153 SHEET NO. 112	FED. ROAD DIST. NO. 7 ILLINOIS FED. AID PROJECT
--	---	---------------------------	--	-----------------------------------	---