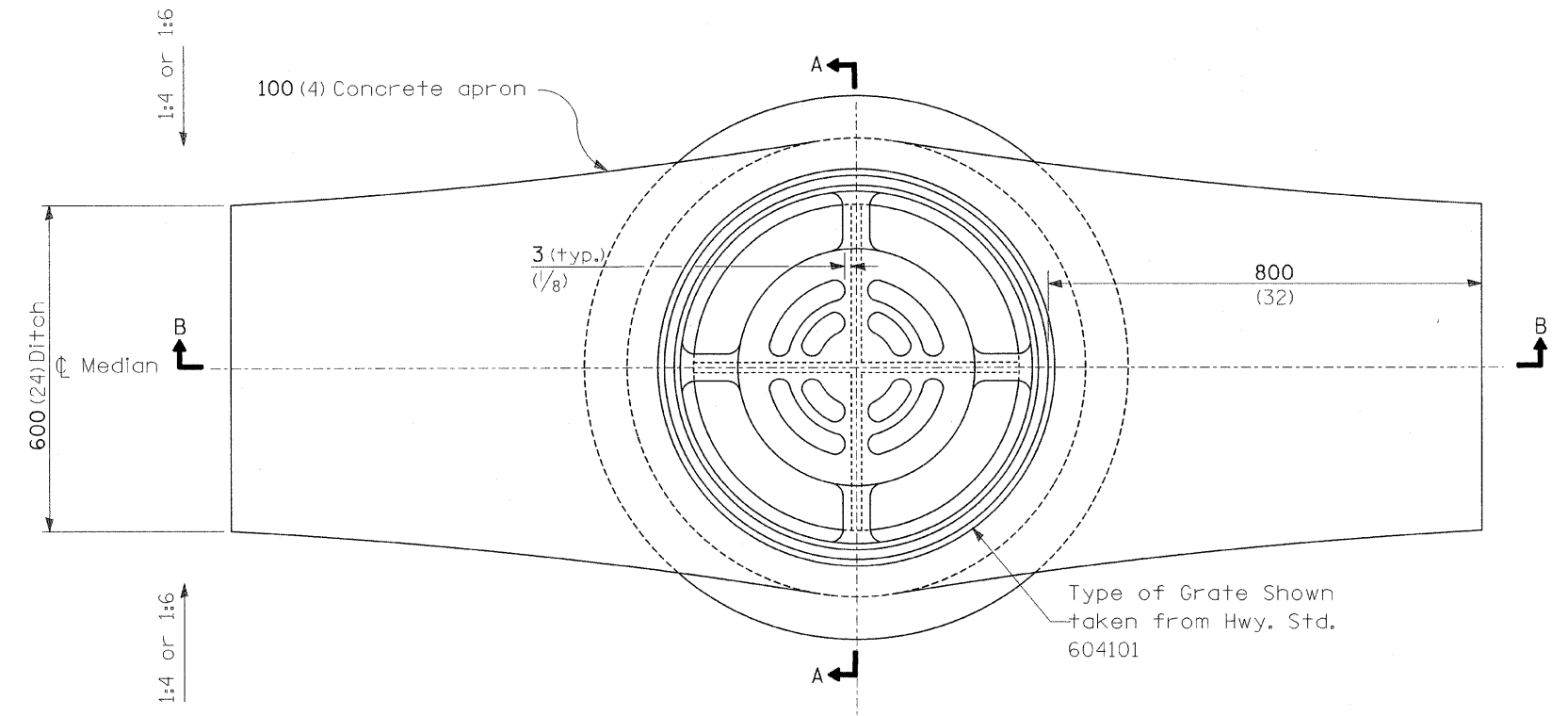
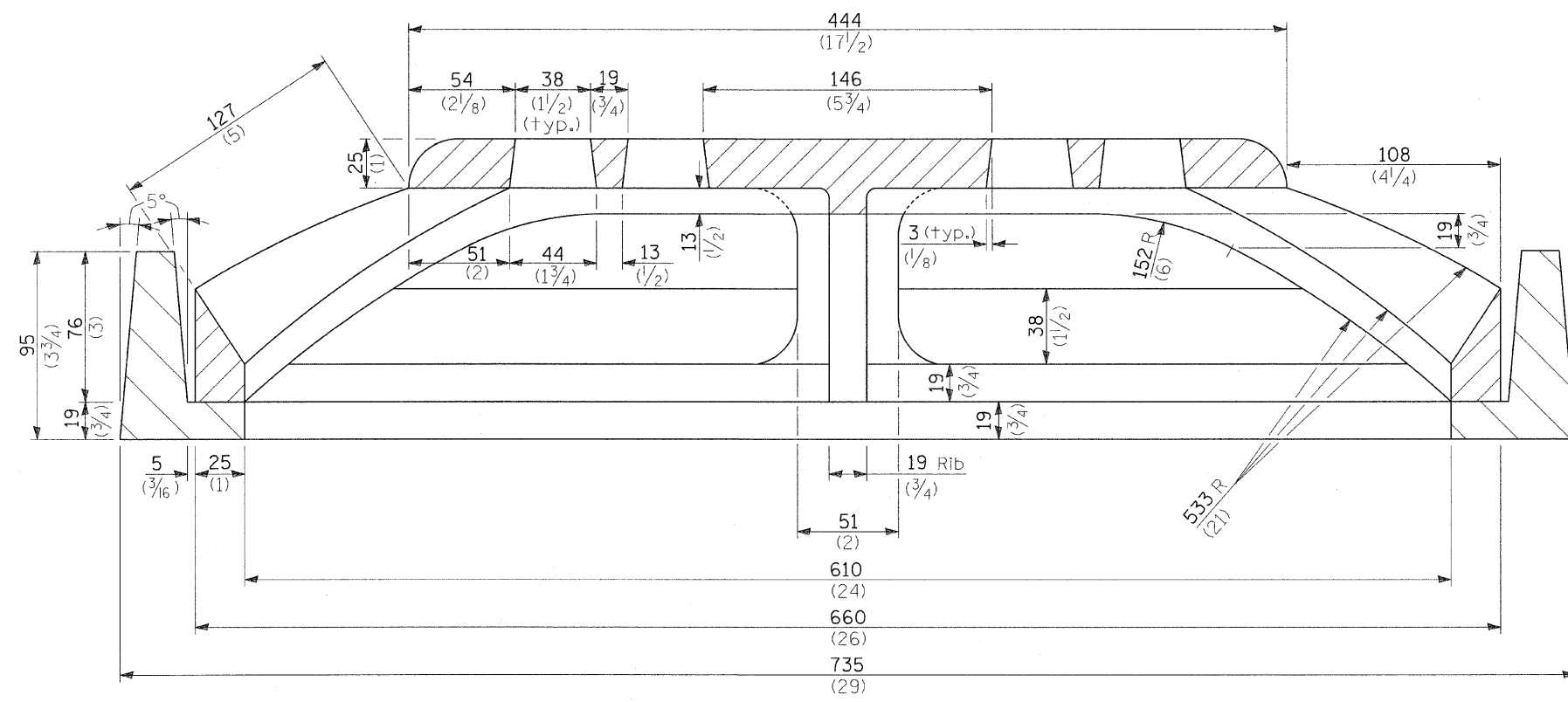


SECTION B-B



LOCATION SKETCH - PLAN



SECTION A-A

GENERAL NOTES

All slope ratios are expressed as units of vertical displacement to units of horizontal displacement (V:H).
 All dimensions are in millimeters (Inches) unless otherwise shown.
 All elements shown in this detail shall be included in the contract unit price for Median Inlet (604101), Special,

FILE NAME =	USER NAME = mschwarz_john	DESIGNED - DRB	REVISED -	STATE OF ILLINOIS DEPARTMENT OF TRANSPORTATION	MISCELLANEOUS DETAILS MEDIAN INLET (604101) SPECIAL	F.A.I. RTE. 64	SECTION 82-2VB-2	COUNTY ST. CLAIR	TOTAL SHEETS 153	SHEET NO. 130	
P:\060601B\dgn\CADD Sheets\0876867-sht-misc details-001.dgn	PLOT SCALE = 0:12.000 mm / IN.	DRAWN - JWS	REVISED -			SCALE: NONE	SHEET NO. 1 OF 1 SHEETS	STA.	TO STA.	FED. ROAD DIST. NO. 8	ILLINOIS FED. AID PROJECT
	PLOT DATE = 8/6/2009	CHECKED - SJK	REVISED -								
		DATE -	REVISED -								