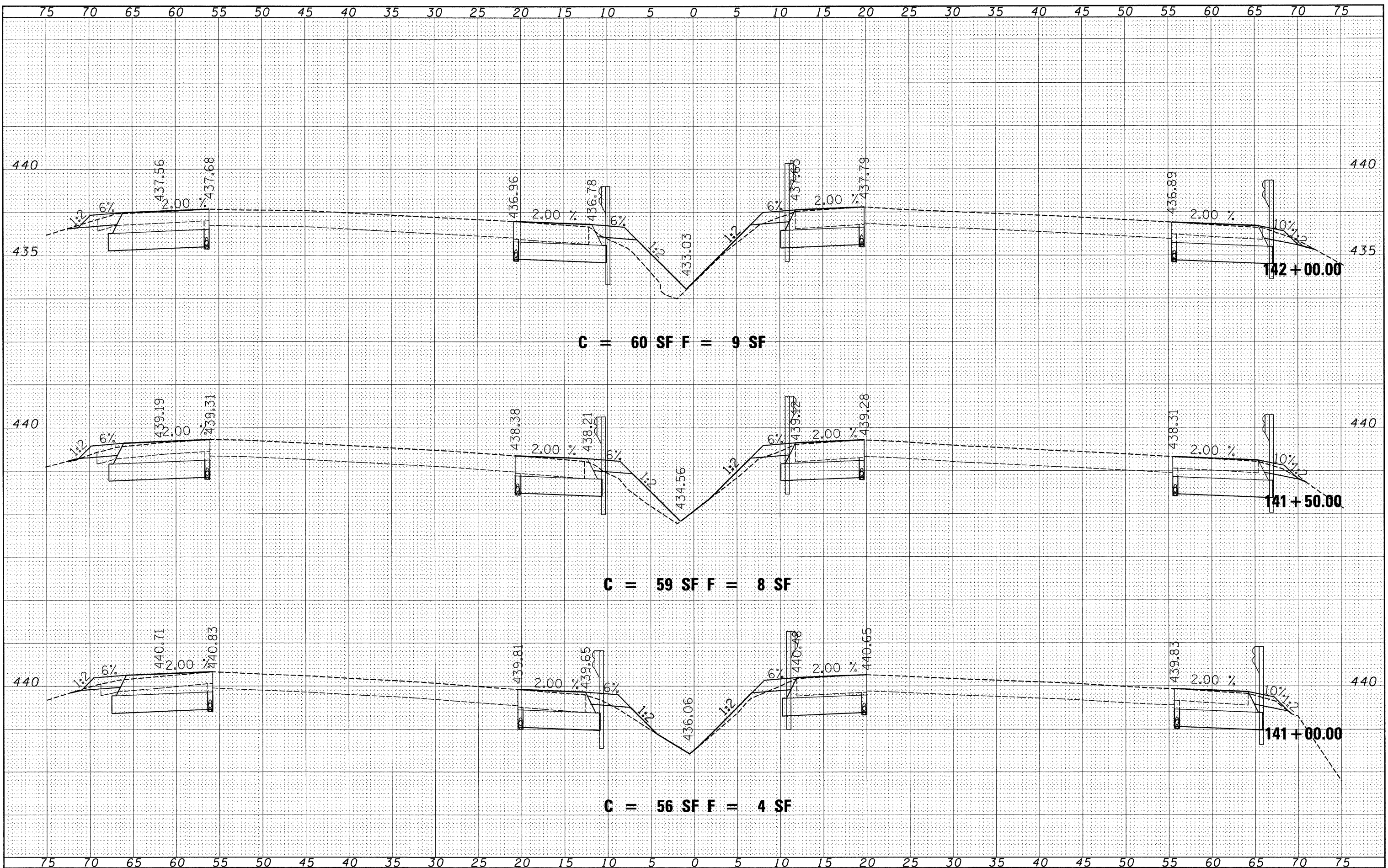


FINAL SURVEY
 SURVEYED
 PLOTTED
 NOTE BOOK
 AREAS CHECKED
 NO.

ORIGINAL SURVEY
 SURVEYED
 PLOTTED
 NOTE BOOK
 AREAS CHECKED
 NO.



C = 60 SF F = 9 SF

C = 59 SF F = 8 SF

C = 56 SF F = 4 SF

FILE NAME =
 P:\0600019\dgn\CADD Sheets\0876876-ah-xshht.dgn

USER NAME = jstein
 DESIGNED JWS
 DRAWN JWS
 CHECKED SJK
 DATE 8/6/2009

REVISIONS
 REVISED -
 REVISED -
 REVISED -
 REVISED -

**STATE OF ILLINOIS
 DEPARTMENT OF TRANSPORTATION**

CROSS SECTIONS

SCALE: 1" = 5' SHEET NO. 14 OF 23 SHEETS STA. 141+00.00 TO STA. 142+00.00

F.A.T. RTE.	SECTION	COUNTY	TOTAL SHEETS	SHEET NO.
64	82-2VB-2	ST. CLAIR	153	144
CONTRACT NO. 76867				
FED. ROAD DIST. NO. ILLINOIS FED. AID PROJECT				