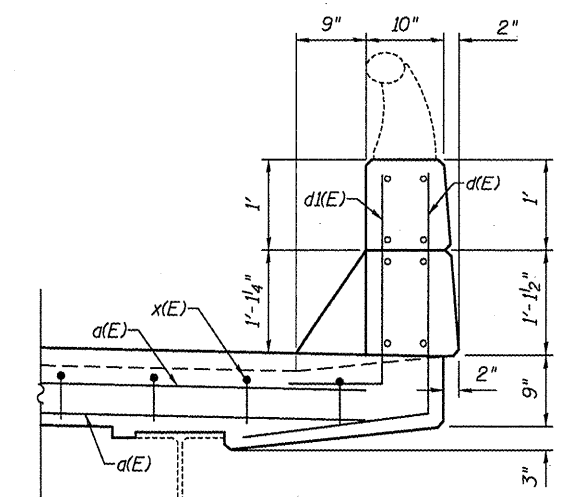
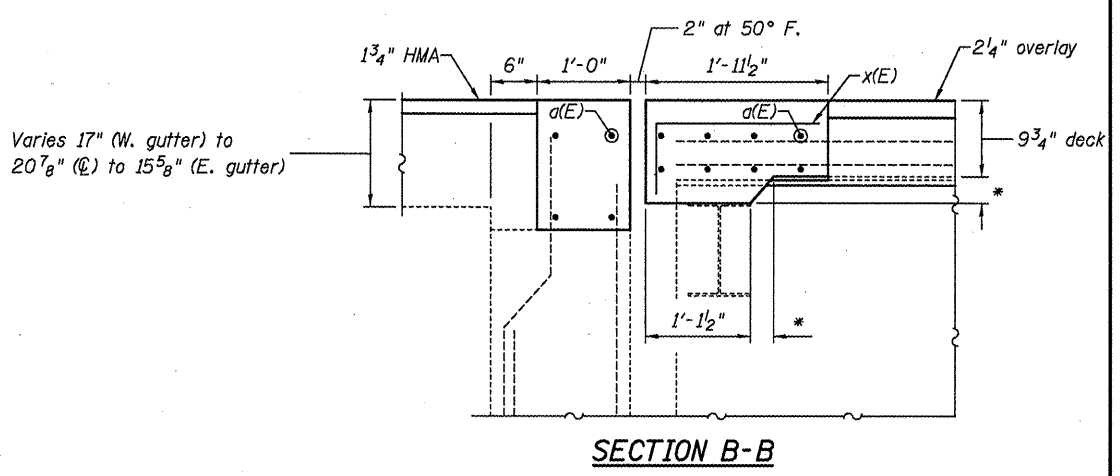
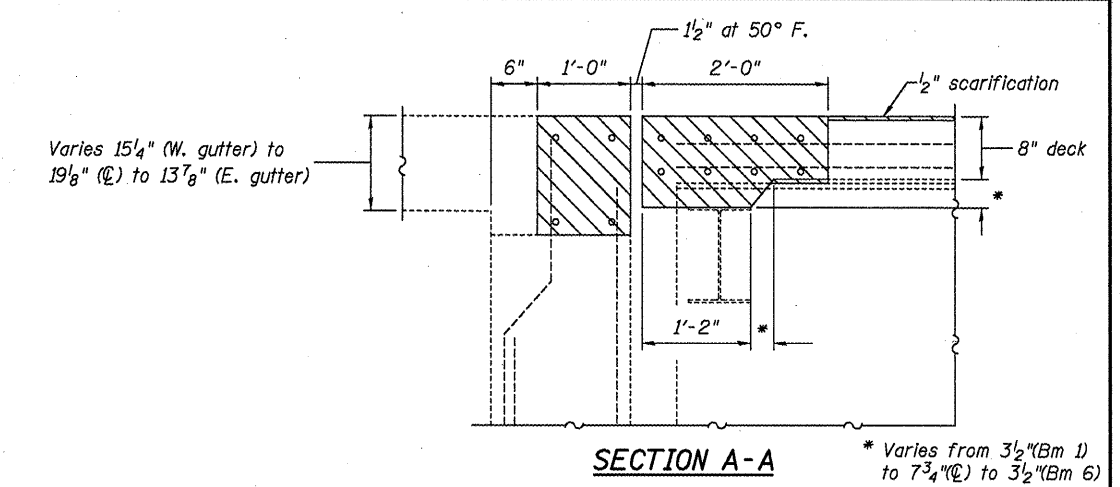
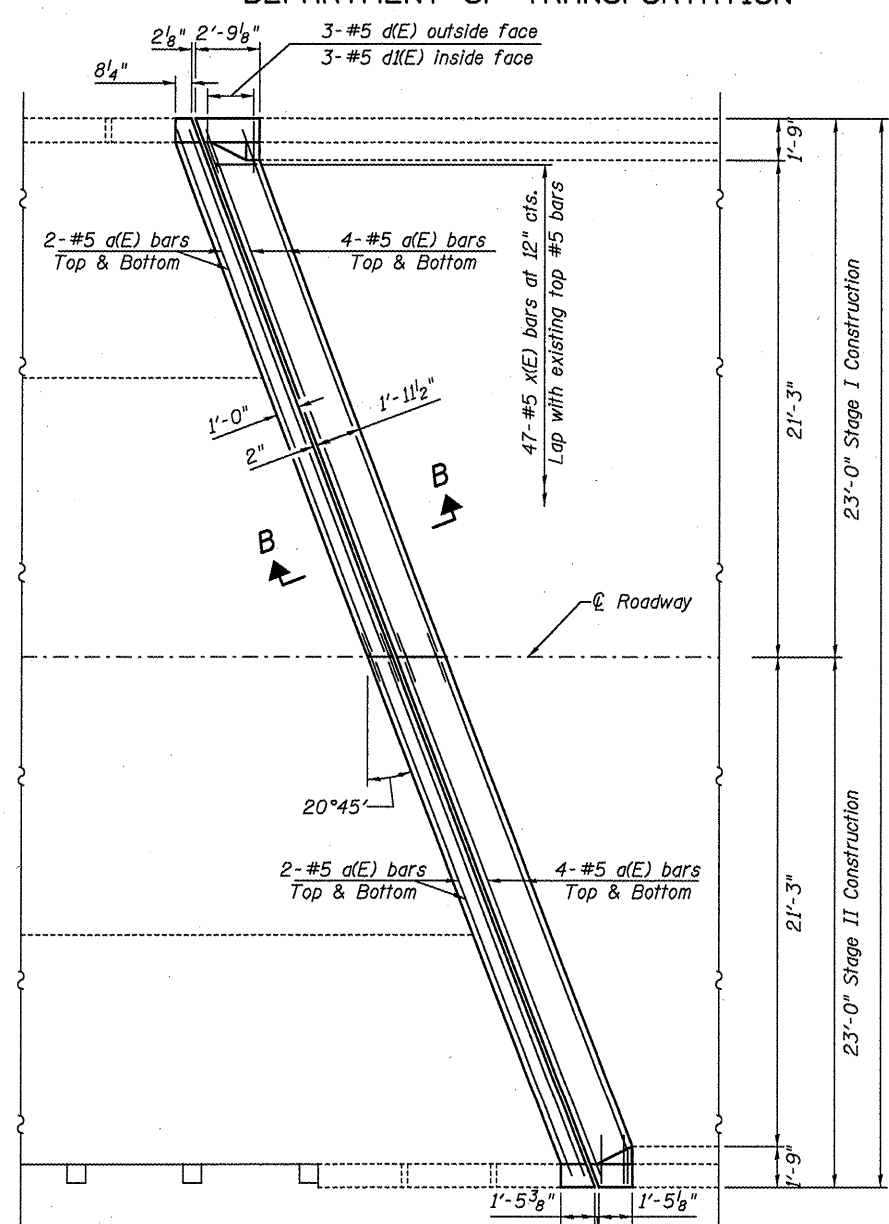
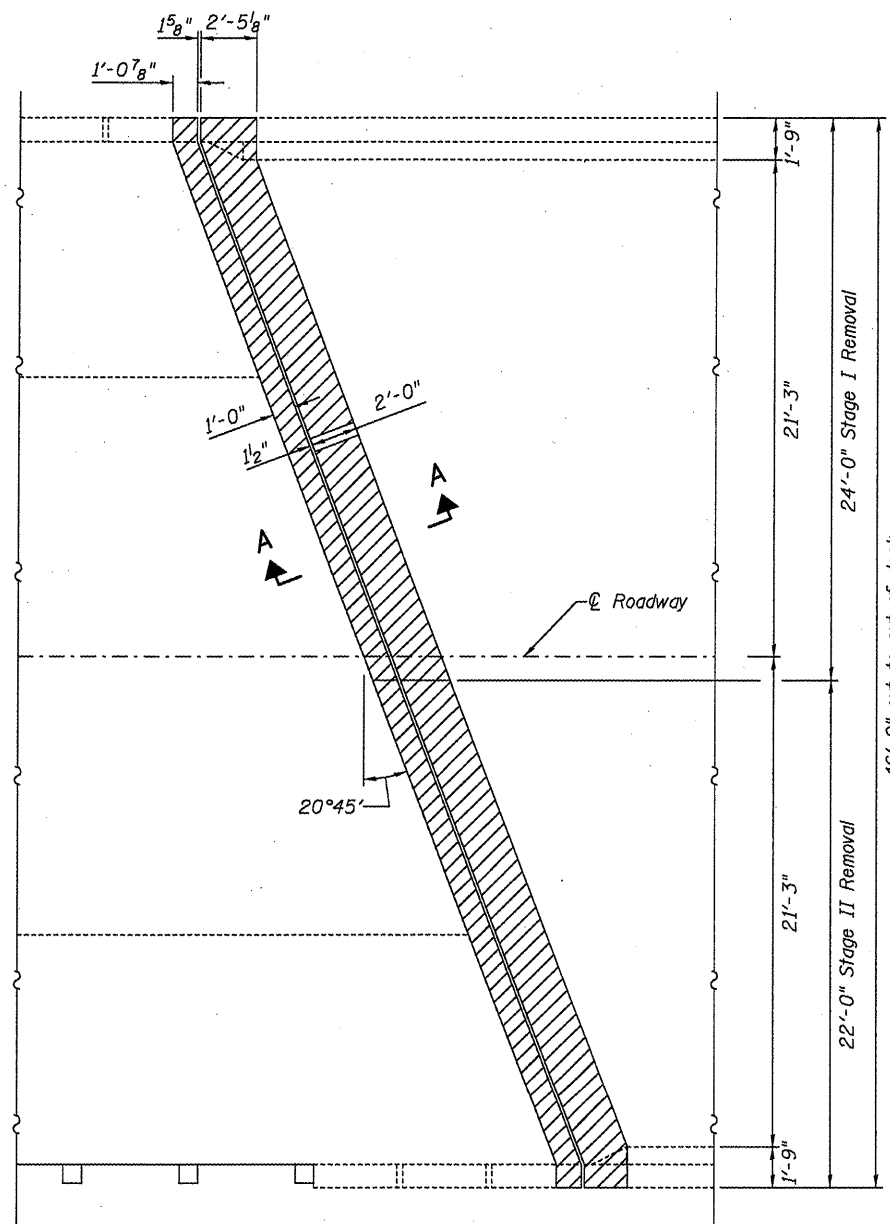
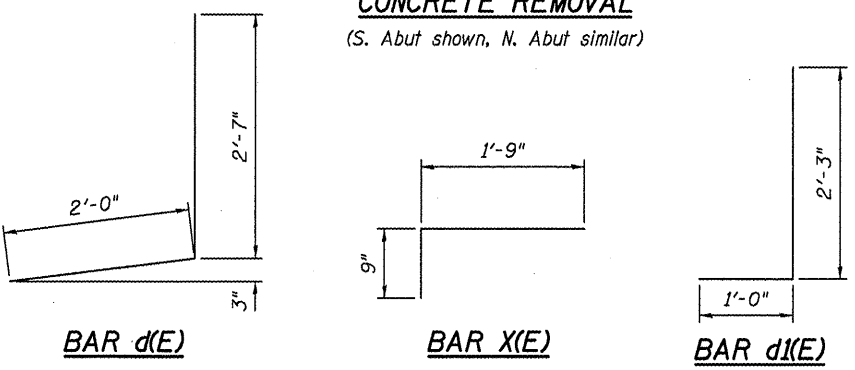


STATE OF ILLINOIS
DEPARTMENT OF TRANSPORTATION



JOINT DETAILS
SN 079-0037

CONCRETE REMOVAL
(S. Abut shown, N. Abut similar)

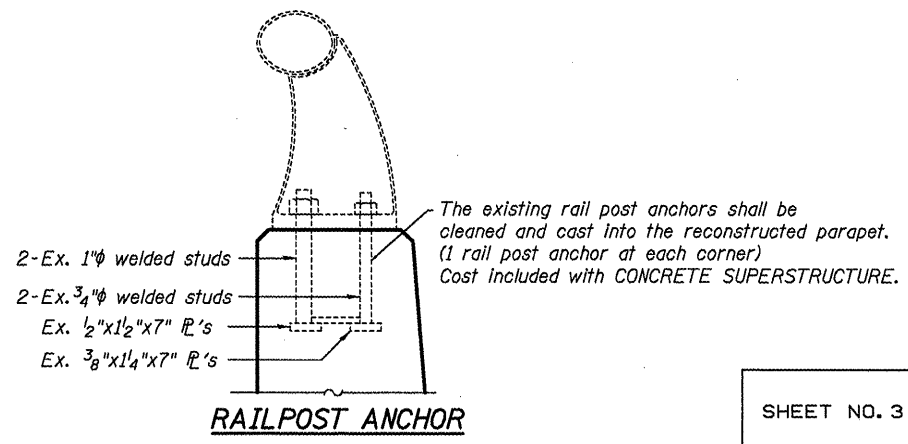


CONCRETE REPLACEMENT
(S. Abut shown, N. Abut similar)

BILL OF MATERIAL

Bar	No.	Size	Length	Shape
d(E)	48	#5	23'-6"	—
d(E)	12	#5	4'-7"	J
d ₁ (E)	12	#5	3'-3"	J
x(E)	94	#5	2'-6"	—
Concrete Removal		Cu. Yd.	13.3	
Reinforcement Bars, Epoxy Coated		Pound	1520	
Concrete Superstructure		Cu. Yd.	14.7	

Bars Indicated thus 1 x 3 - #5 etc. Indicates 1 line of bars with 3 lengths per line.



DESIGNED J. Uehle
CHECKED B. Williams
DRAWN J. Uehle
CHECKED B. Williams

November 6, 2009
EXAMINED *[Signature]*
PASSED *[Signature]*
ENGINEER OF STRUCTURAL SERVICES
ENGINEER OF BRIDGES AND STRUCTURES

SHEET NO. 3 9 SHEETS	F.A.P. RTE.	SECTION	COUNTY	TOTAL SHEETS	SHEET NO.
	312	73-VB-I	Randolph	21	14
FED. ROAD DIST. NO.			ILLINOIS FED. AID PROJECT		
CONTRACT NO. 76C78					