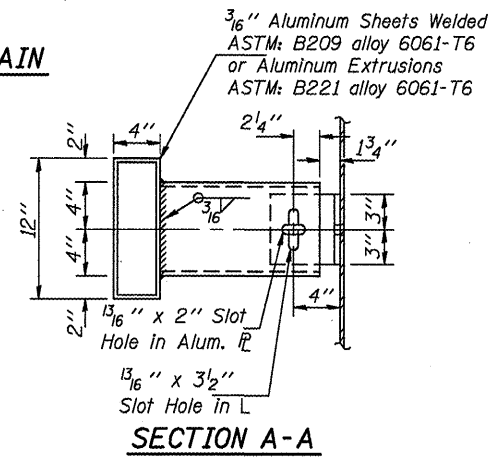
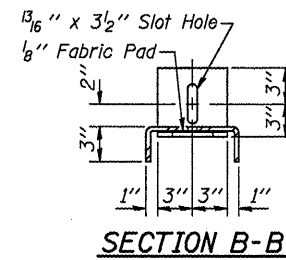
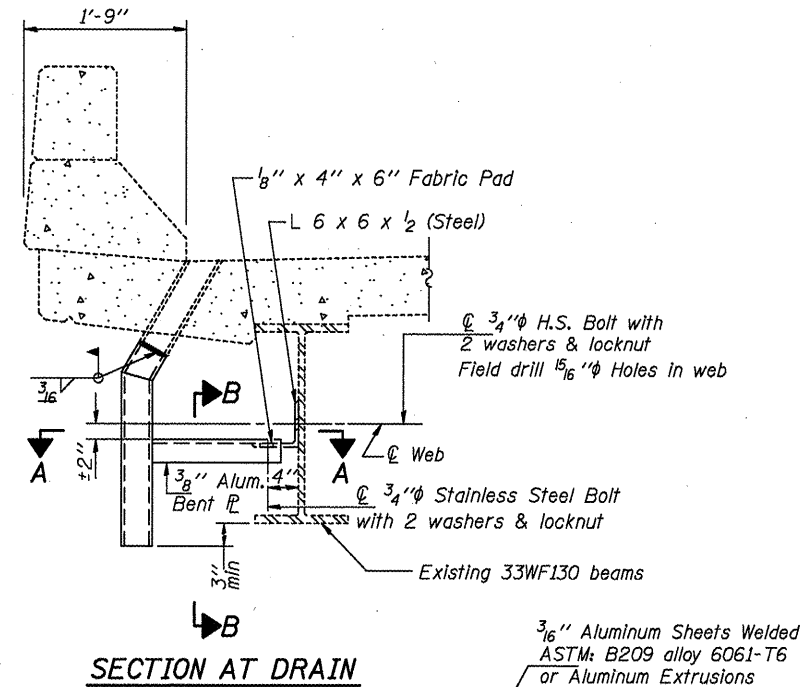
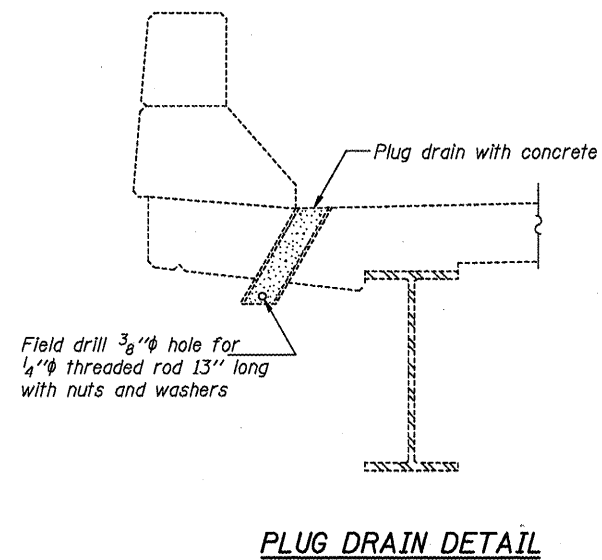
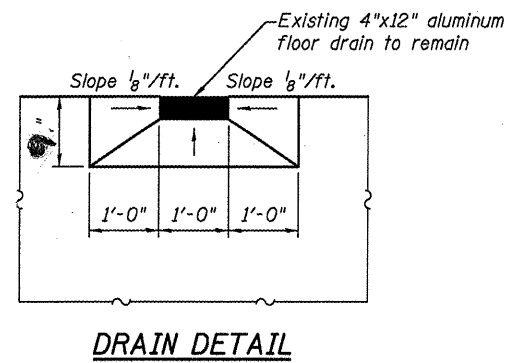


STATE OF ILLINOIS
DEPARTMENT OF TRANSPORTATION



DESIGNED	J. Uehle
CHECKED	B. Williams
DRAWN	J. Uehle
CHECKED	B. Williams

November 8, 2009

EXAMINED *[Signature]*
ENGINEER OF STRUCTURAL SERVICES

PASSED *[Signature]*
ENGINEER OF BRIDGES AND STRUCTURES

DRAIN DETAILS
SN 079-0037

SHEET NO.	F.A.P. RTE.	SECTION	COUNTY	TOTAL SHEETS	SHEET NO.
5	312	73-VB-I	Randolph	21	16
SHEETS 9					
CONTRACT NO. 76C78					
FED. ROAD DIST. NO. - ILLINOIS FED. AID PROJECT					