

STATE OF ILLINOIS
DEPARTMENT OF TRANSPORTATION

SOUTH CURB LINE

Location	Station	Offset	Theoretical Grade Elevations
East End E. Appr. Pav't.	87426.46	-16.00	399.10
	87436.46	-16.00	399.10
West End E. Appr. Pav't.	87446.46	-16.00	399.10
	87456.46	-16.00	399.10

SOUTH EDGE OF PAVEMENT

Location	Station	Offset	Theoretical Grade Elevations
East End E. Appr. Pav't.	87424.60	-12.00	399.18
	87434.60	-12.00	399.18
West End E. Appr. Pav't.	87444.60	-12.00	399.18
	87454.60	-12.00	399.18

STAGE CONSTRUCTION JOINT

Location	Station	Offset	Theoretical Grade Elevations
East End E. Appr. Pav't.	87419.23	-0.50	399.36
	87429.23	-0.50	399.36
West End E. Appr. Pav't.	87439.23	-0.50	399.36
	87449.23	-0.50	399.36

RDWAY & PROFILE GRADE

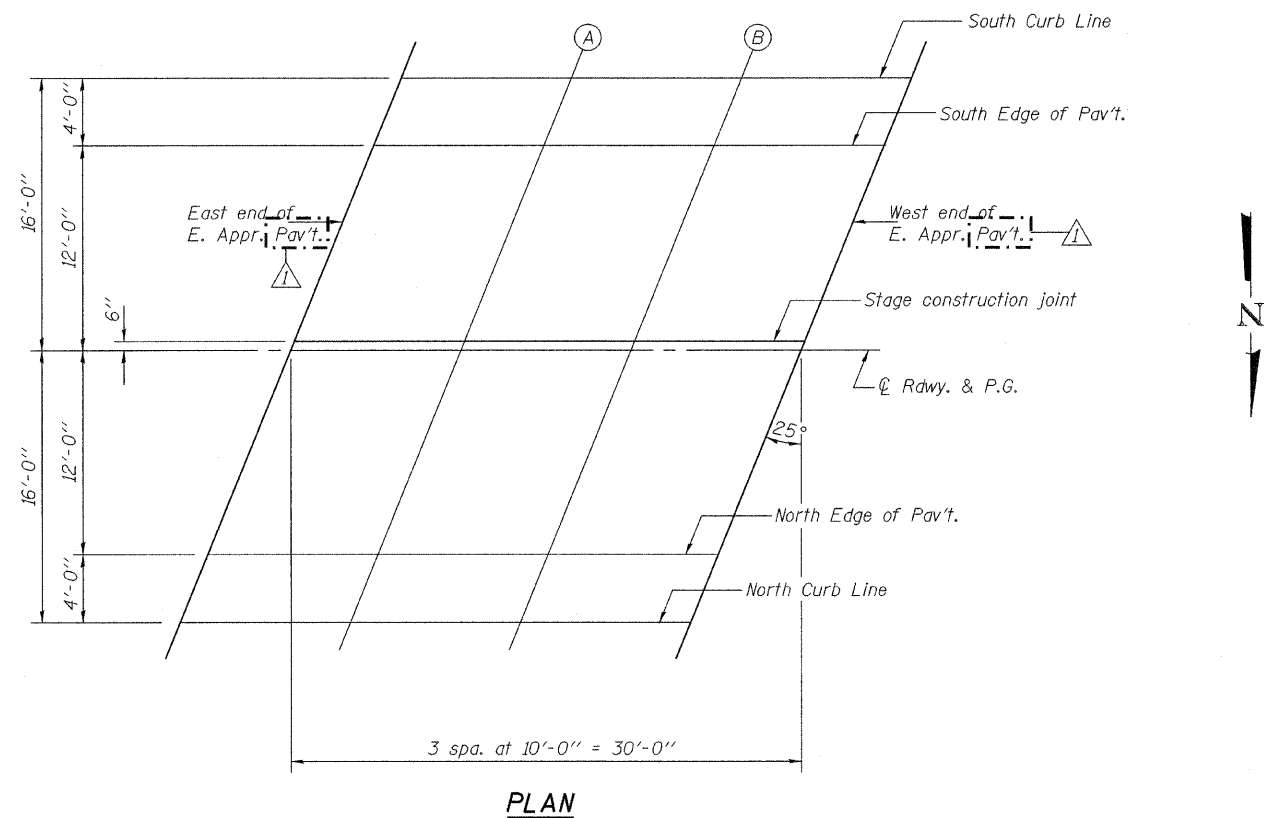
Location	Station	Offset	Theoretical Grade Elevations
East End E. Appr. Pav't.	87419.00	0.00	399.37
	87429.00	0.00	399.37
West End E. Appr. Pav't.	87439.00	0.00	399.37
	87449.00	0.00	399.37

NORTH EDGE OF PAVEMENT

Location	Station	Offset	Theoretical Grade Elevations
East End E. Appr. Pav't.	87413.40	12.00	399.18
	87423.40	12.00	399.18
West End E. Appr. Pav't.	87433.40	12.00	399.18
	87443.40	12.00	399.18

NORTH CURB LINE

Location	Station	Offset	Theoretical Grade Elevations
East End E. Appr. Pav't.	87411.54	16.00	399.10
	87421.54	16.00	399.10
West End E. Appr. Pav't.	87431.54	16.00	399.10
	87441.54	16.00	399.10



TOP OF EAST APPROACH PAVEMENT ELEVATIONS
STRUCTURE NO. 073-0037

DESIGNED	Stephen M. Ryan
CHECKED	Jay D. Edwards
DRAWN	h.t. duong
CHECKED	SMR/JDE

EXAMINED	Thomas J. Domagalick ENGINEER OF BRIDGE DESIGN
PASSED	Ralph E. Anderson ENGINEER OF BRIDGES AND STRUCTURES

SHEET NO. 8	F.A.P. RTE.	SECTION	COUNTY	TOTAL SHEETS	SHEET NO.
	865	16B-2	PERRY	47	30
25 SHEETS	CONTRACT NO. 78064				
FED. ROAD DIST. NO. _ ILLINOIS FED. AID PROJECT					