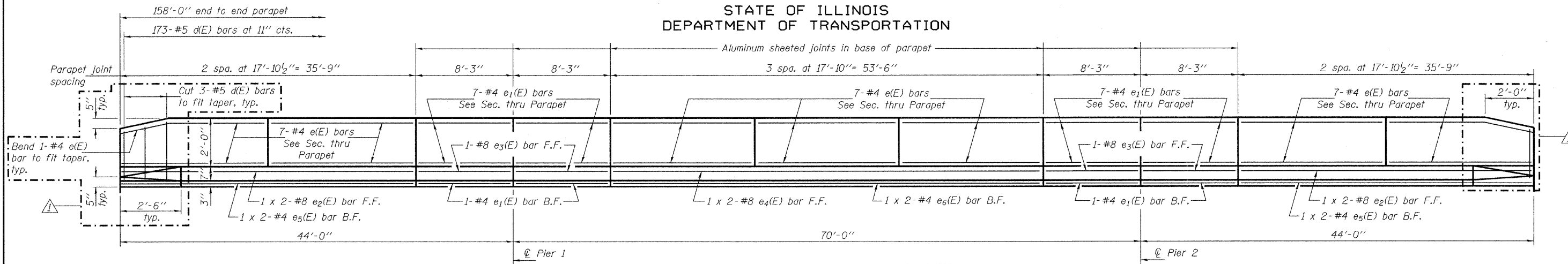
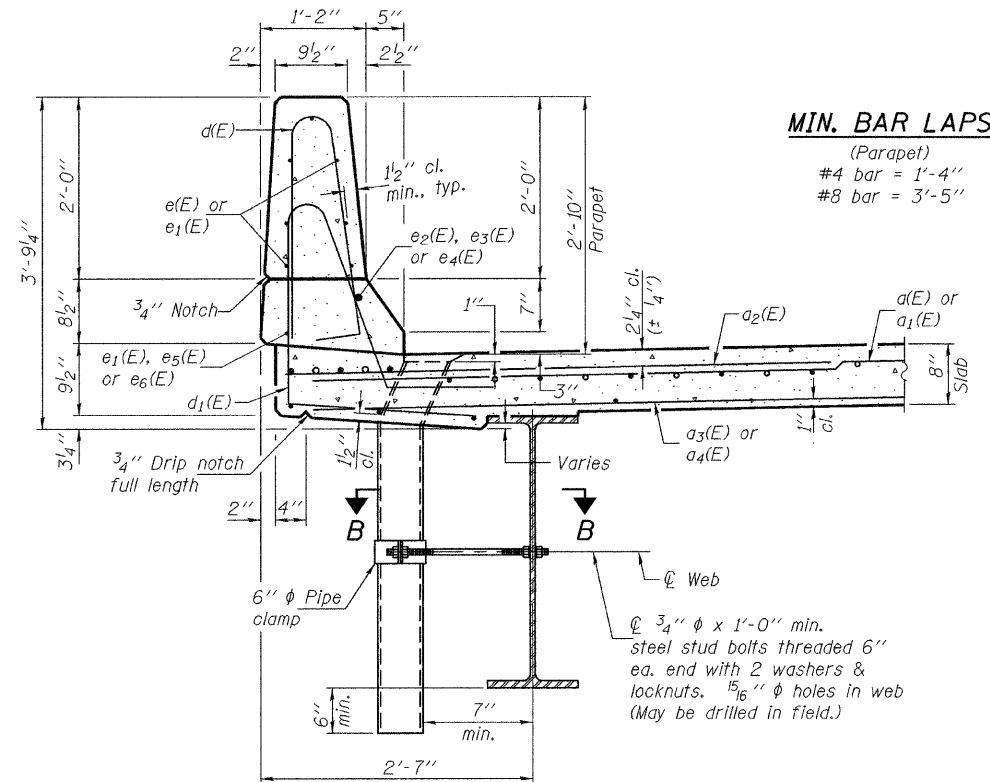


STATE OF ILLINOIS
DEPARTMENT OF TRANSPORTATION



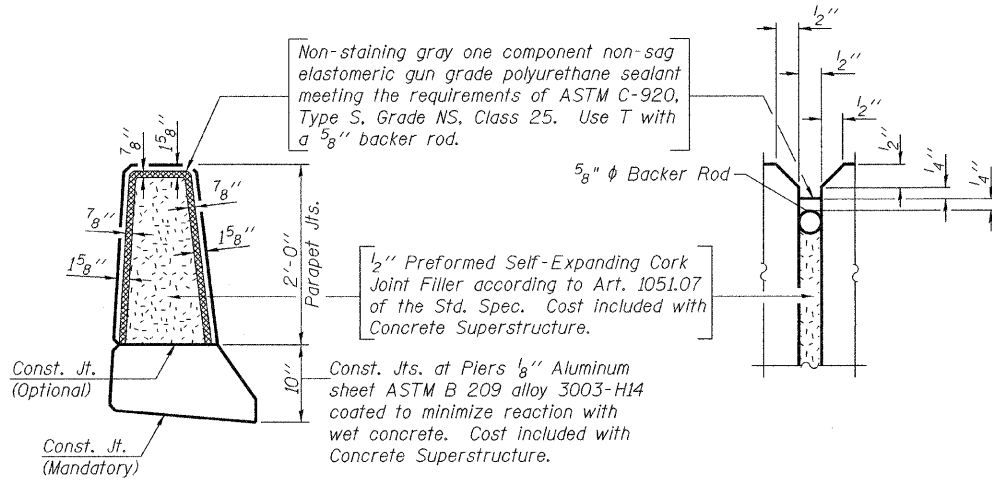
INSIDE ELEVATION OF PARAPET



SECTION THRU PARAPET

MIN. BAR LAPS

(Parapet)
#4 bar = 1'-4"
#8 bar = 3'-5"



PARAPET JOINT DETAILS

Notes:
The exterior surfaces of the floor drains shall be painted with the finish coat as specified in the special provisions for Cleaning and Painting New Metal Structures. The exterior surfaces of the drains shall be cleaned according to Society of Protective Coatings Spec. SSPC-SP1 prior to painting.
Fiberglass pipe shall conform to ASTM D 2996, with short-time rupture strength hoop tensile stress of 30,000 p.s.i. minimum.

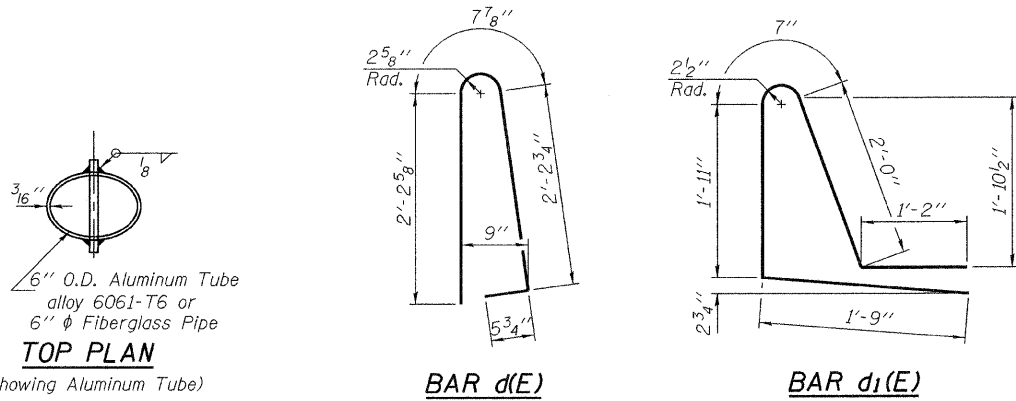
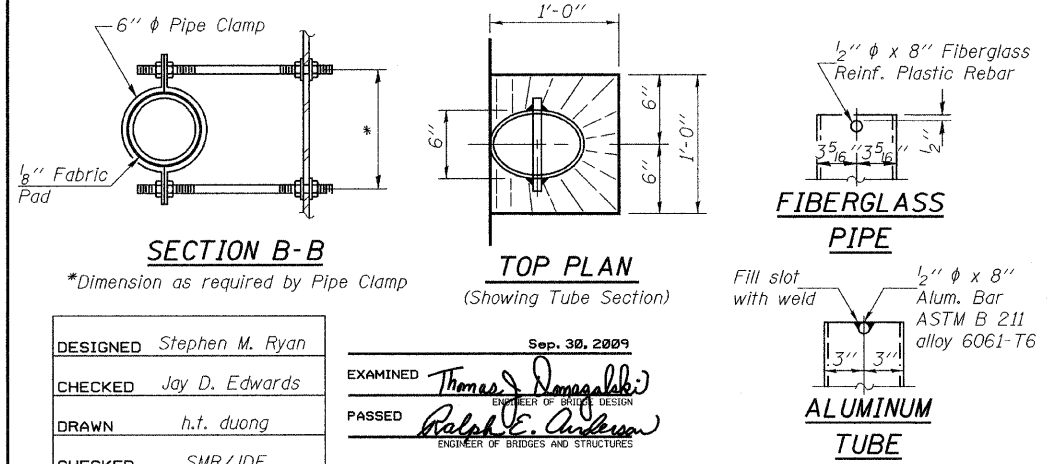
SUPERSTRUCTURE
BILL OF MATERIAL

Bar	No.	Size	Length	Shape
d(E)	270	#5	16'-7"	
a1(E)	270	#5	17'-7"	
a2(E)	540	#6	6'-0"	
a3(E)	189	#5	17'-1"	
a4(E)	189	#5	16'-1"	
a5(E)	4	#5	19'-4"	
a6(E)	4	#5	18'-4"	
b(E)	190	#5	33'-4"	
b1(E)	70	#6	34'-2"	
b2(E)	222	#5	28'-2"	
d(E)	346	#5	5'-7"	
d1(E)	346	#5	7'-5"	
e(E)	98	#4	17'-6"	
e1(E)	64	#4	7'-11"	
e2(E)	8	#8	19'-5"	
e3(E)	8	#8	7'-11"	
e4(E)	4	#8	28'-4"	
e5(E)	8	#4	18'-5"	
e6(E)	8	#4	27'-3"	
m(E)	4	#6	17'-7"	
m1(E)	4	#6	18'-8"	
m2(E)	6	#6	18'-7"	
m3(E)	6	#6	19'-8"	
m4(E)	12	#6	7'-11"	
m5(E)	12	#6	8'-3"	
m6(E)	4	#6	2'-6"	
m7(E)	10	#6	6'-3"	
s(E)	82	#5	5'-5"	
s1(E)	92	#4	8'-10"	
v(E)	168	#5	3'-4"	
Reinforcement Bars, Epoxy Coated	Pound	47410		
Concrete Superstructure	Cu. Yds.	200.5		

Bars Indicated thus 1 x 2-#8 etc. indicates 1 line of bars with 2 lengths per line.

SUPERSTRUCTURE DETAILS
STRUCTURE NO. 073-0037

SHEET NO.	F.A.P. RTE.	SECTION	COUNTY	TOTAL SHEETS	SHEET NO.
25 SHEETS	865	16B-2	PERRY	47	33
CONTRACT NO. 78064					
FED. ROAD DIST. NO. ILLINOIS FED. AID PROJECT					



DESIGNED	Stephen M. Ryan
CHECKED	Jay D. Edwards
DRAWN	h.t. duong
CHECKED	SMR/JDE

EXAMINED	Thomas J. Domagala
PASSED	Ralph E. Anderson

DESIGNED	Stephen M. Ryan
CHECKED	Jay D. Edwards
DRAWN	h.t. duong
CHECKED	SMR/JDE