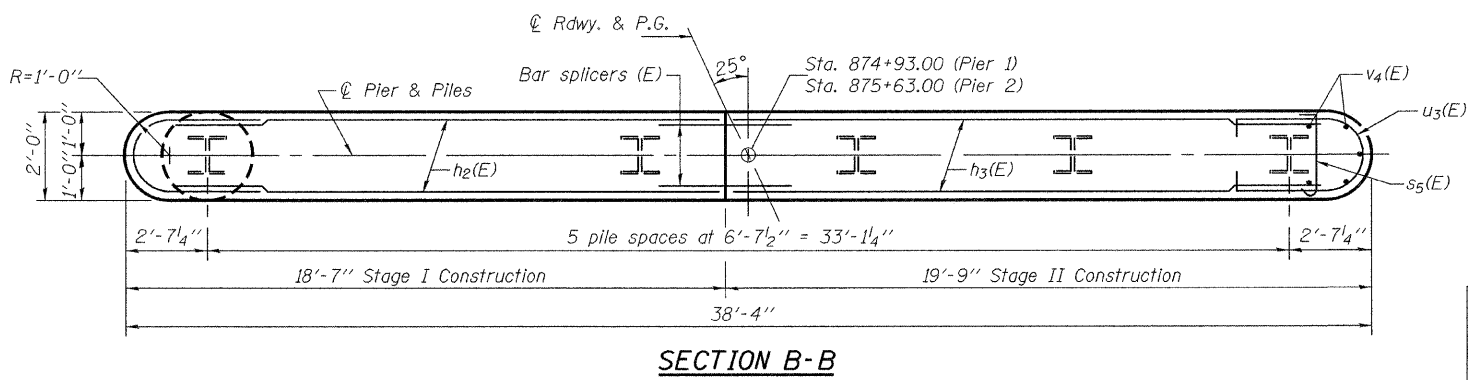
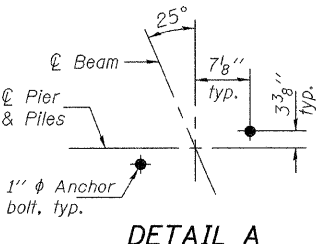
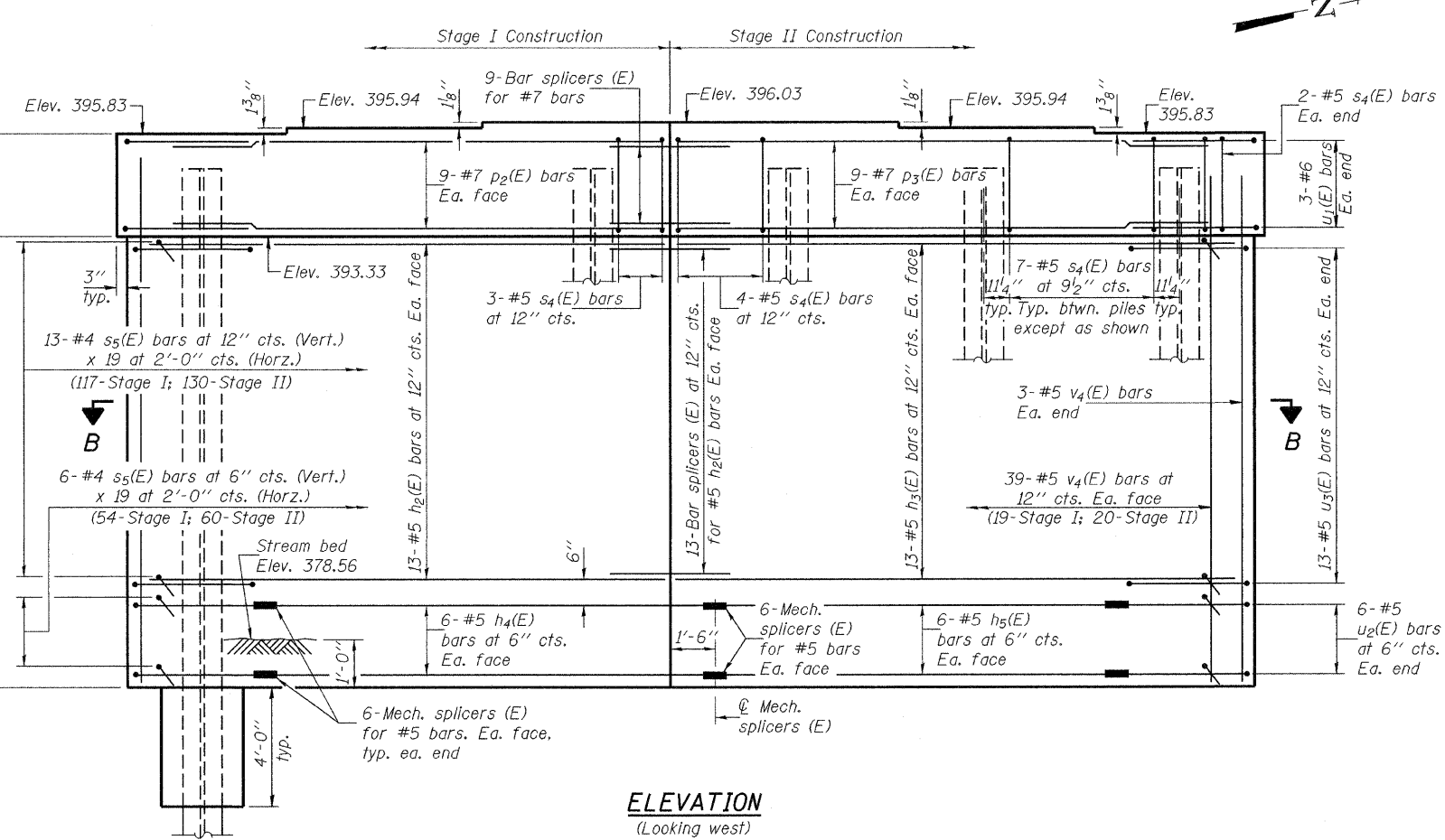
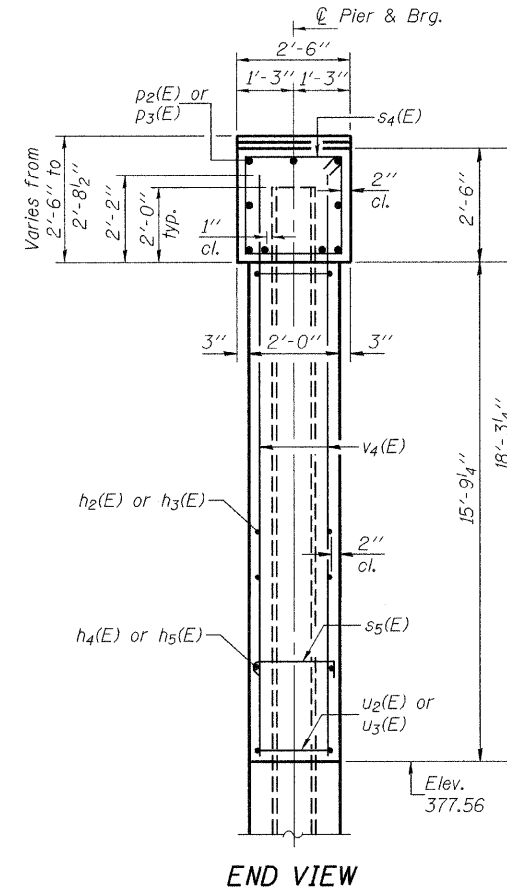
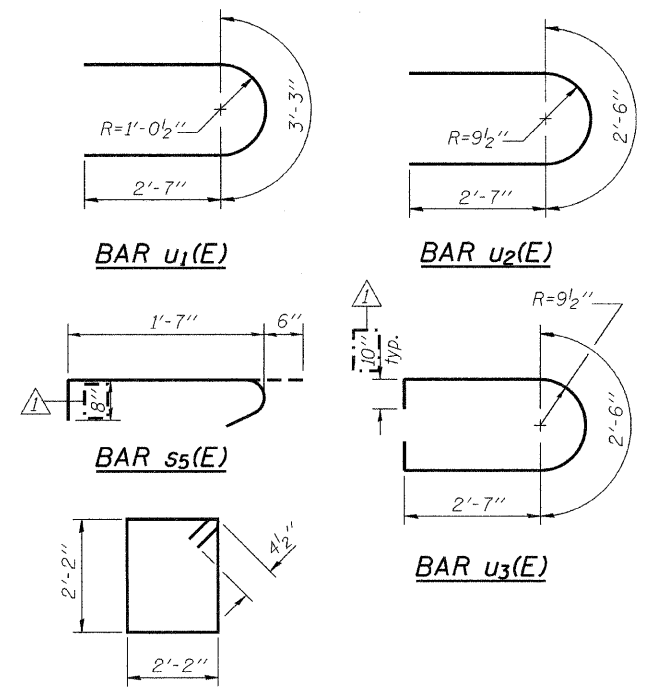
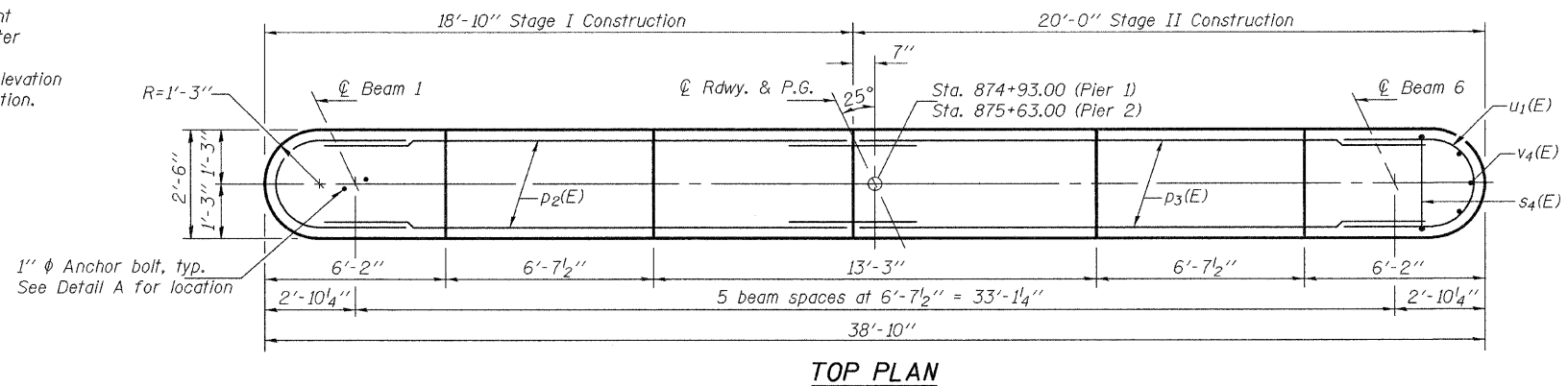


STATE OF ILLINOIS
DEPARTMENT OF TRANSPORTATION

Notes:
Space reinforcement in cap to miss anchor bolts.
Pour steps monolithically with cap.
For details of piles, see sheet 22 of 25.
If a portion of the pier wall or concrete encasement is under water, reinforcement may be placed underwater into forms. Concrete shall be tremied according to Article 503.08 of the Standard Specifications to an elevation of 1'-0" above the water line at the time of construction.

PILE DATA

Type: Steel HP12x74
Nominal Required Bearing: 589 Kips
Factored Resistance Available: 294 Kips
Est. Length: 77'
No. Production Piles: 10
No. Test Piles: 2



TWO PIERS
BILL OF MATERIAL

Bar	No.	Size	Length	Shape
h2(E)	52	#5	17'-5"	—
h3(E)	52	#5	18'-7"	—
h4(E)	24	#5	16'-6"	—
h5(E)	24	#5	14'-8"	—
p2(E)	18	#7	17'-5"	—
p3(E)	18	#7	18'-7"	—
s4(E)	78	#5	9'-5"	□
s5(E)	722	#4	2'-11"	U
u1(E)	12	#6	8'-5"	U
u2(E)	24	#5	7'-8"	U
u3(E)	52	#5	9'-4"	U
v4(E)	168	#5	17'-9"	—
Structure Excavation		Cu. Yd.	94.0	
Concrete Structures		Cu. Yd.	107.0	
Reinforcement Bars, Epoxy Coated		Pound	10190	
Furnishing Steel Piles HP12x74		Foot	770	
Driving Piles		Foot	770	
Test Pile Steel HP12x74		Each	2	
Anchor Bolts, 1"		Each	24	
Concrete Encasement		Cu. Yd.	5.6	
Mechanical Splice		Each	72	
Underwater Structure Excavation Protection, Location 1		Each	1	
Underwater Structure Excavation Protection, Location 2		Each	1	

PIERS 1 & 2
STRUCTURE NO. 073-0037

DESIGNED	Stephen M. Ryan
CHECKED	Jay D. Edwards
DRAWN	h.t. duong
CHECKED	SMR/JDE

EXAMINED	Thomas J. Demagala
PASSED	Ralph E. Anderson

SHEET NO. 20	F.A.P. RTE.	SECTION	COUNTY	TOTAL SHEETS	SHEET NO.
25 SHEETS	865	16B-2	PERRY	47	42
CONTRACT NO. 78064					
FED. ROAD DIST. NO. ILLINOIS FED. AID PROJECT					