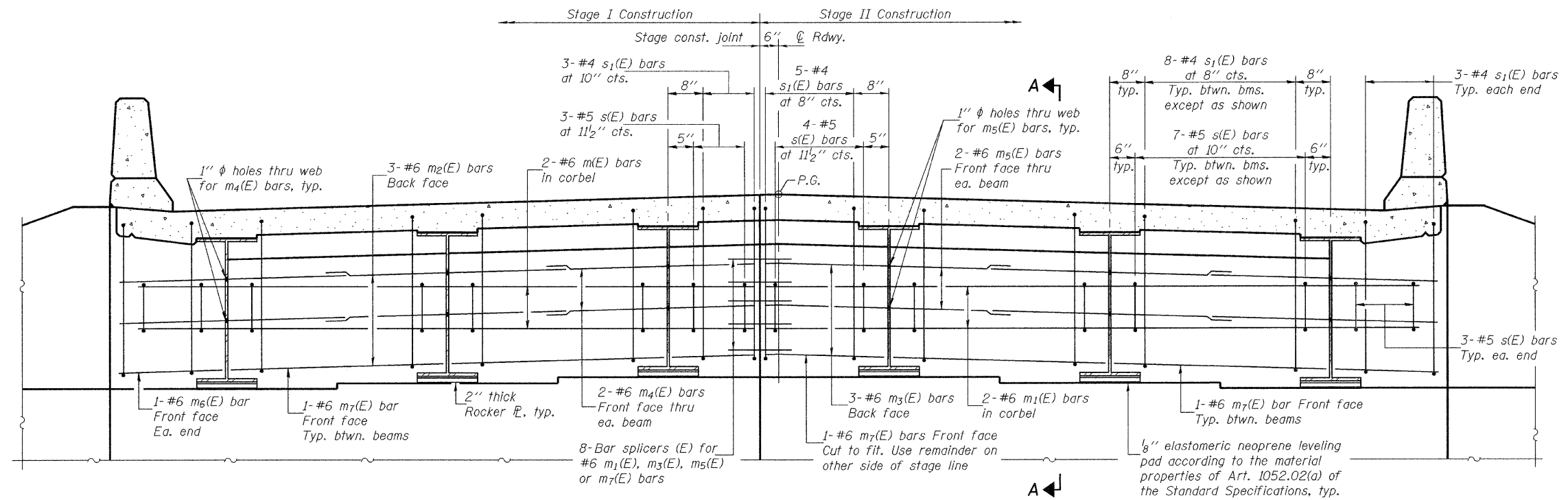
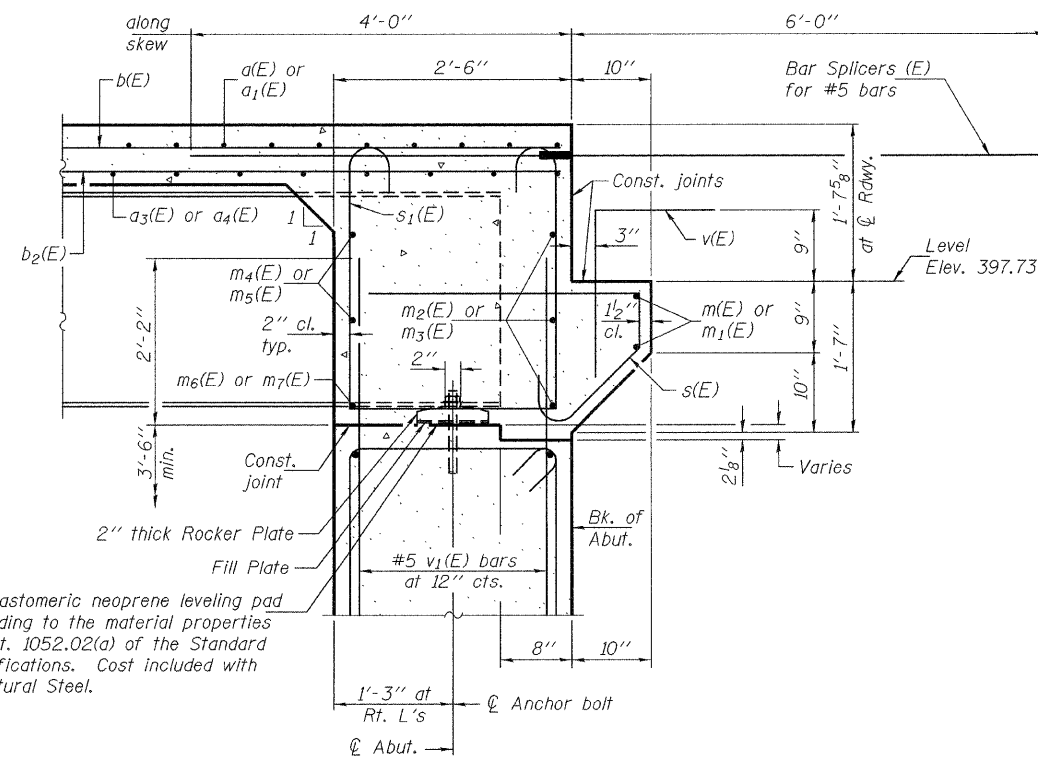


STATE OF ILLINOIS
DEPARTMENT OF TRANSPORTATION



DIAPHRAGM ELEVATION AT WEST ABUTMENT
(Looking West - East Abutment similar)

Notes: Reinforcement bars in diaphragm are billed with superstructure on sheet 11 of 25.
Concrete in diaphragm is included with Concrete Superstructure on sheet 11 of 25.
For details of bars s(E) & s₁(E) see sheet 11 of 25.
The s(E) and s₁(E) bars shall be placed parallel to the beams. Spacing for these bars shall be at right angles to the beams.



SECTION A-A

Dimensions at right angles to abutment, except as shown.

MIN. BAR LAP
#6 bar = 2'-7"

DESIGNED	Stephen M. Ryan
CHECKED	Jay D. Edwards
DRAWN	h.t. duong
CHECKED	SMR/JDE

EXAMINED	Thomas J. Damagalki ENGINEER OF BRIDGE DESIGN
PASSED	Ralph E. Anderson ENGINEER OF BRIDGES AND STRUCTURES

DIAPHRAGM DETAILS
STRUCTURE NO. 073-0037

SHEET NO. 12 25 SHEETS	F.A.P. RTE. 865	SECTION 16B-2	COUNTY PERRY	TOTAL SHEETS 47	SHEET NO. 34
	CONTRACT NO. 78064			FED. ROAD DIST. NO. - ILLINOIS FED. AID PROJECT	