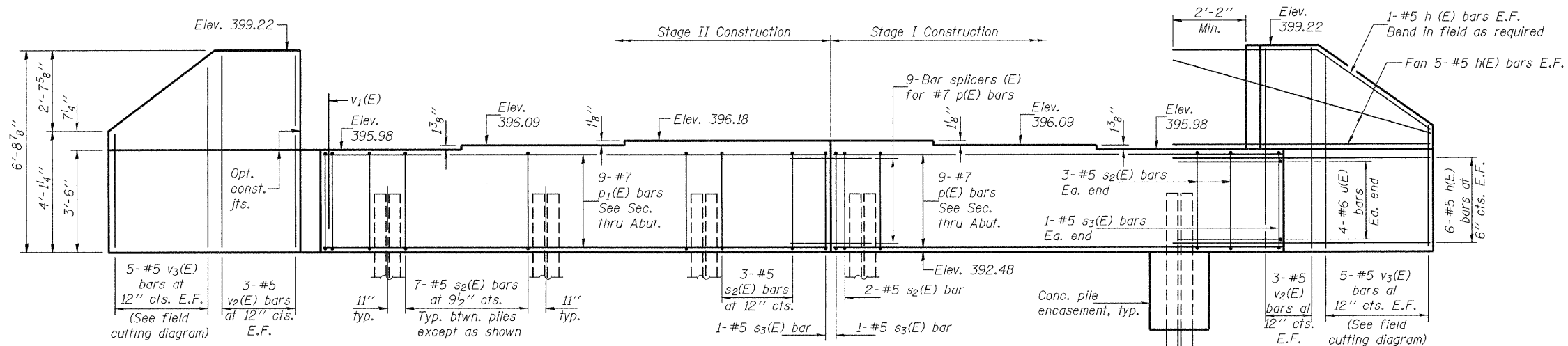
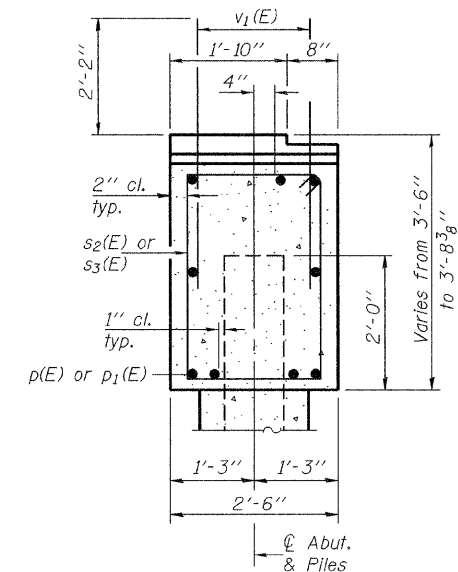


STATE OF ILLINOIS  
DEPARTMENT OF TRANSPORTATION

Notes: Four steps monolithically with cap.  
Space reinforcement in cap to miss anchor bolts.



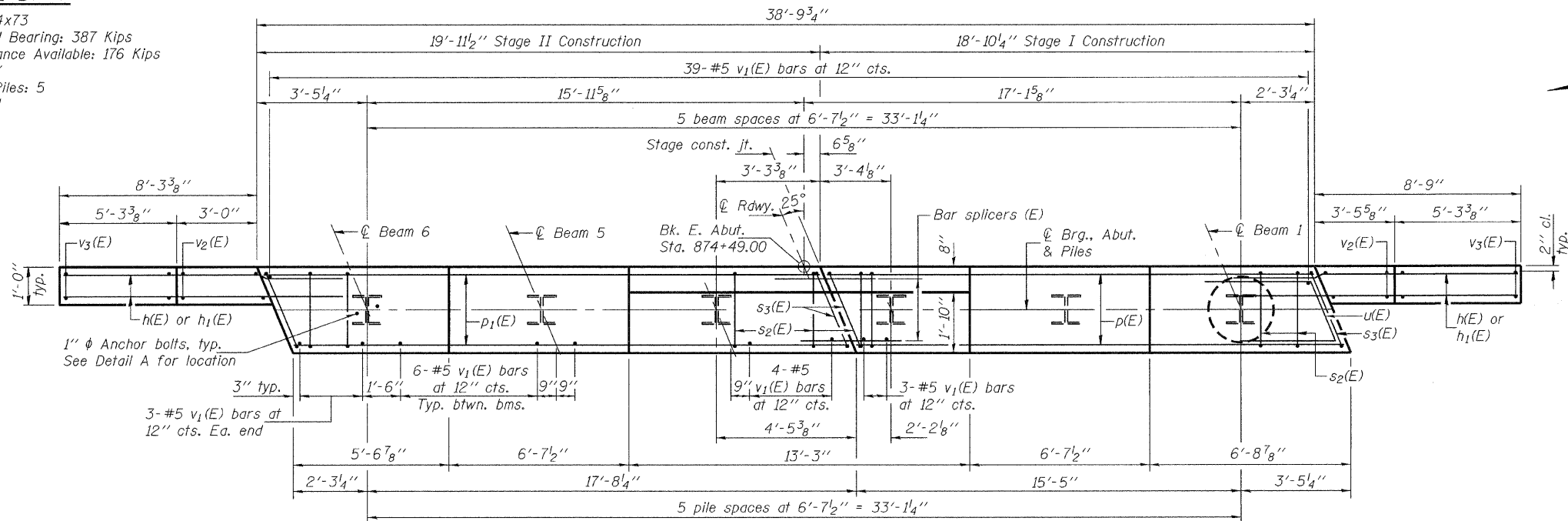
**ELEVATION**  
(Looking east)



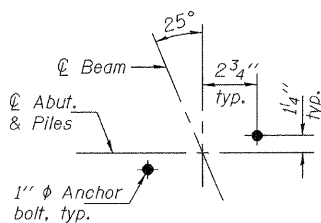
**SEC. THRU ABUT.**

**PILE DATA**

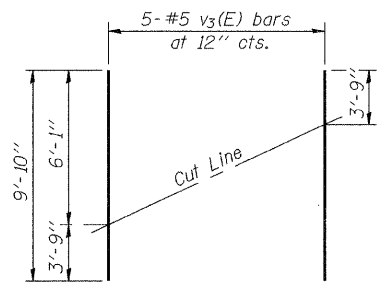
Type: Steel HP14x73  
Nominal Required Bearing: 387 Kips  
Factored Resistance Available: 176 Kips  
Est. Length: 55'  
No. Production Piles: 5  
No. Test Piles: 1



**PLAN**

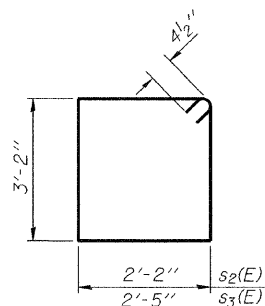


**DETAIL A**

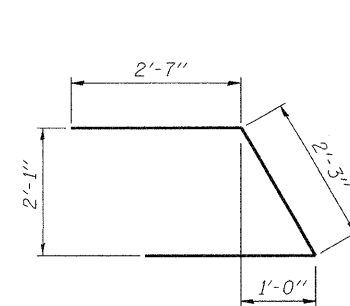


**FIELD CUTTING DIAGRAM**

Order v<sub>3</sub>(E) full length. Cut as shown and use remainder of bars in opposite face.



**BARS s<sub>2</sub>(E) & s<sub>3</sub>(E)**



**BAR u(E)**

**BILL OF MATERIAL**

Bar	No.	Size	Length	Shape
h(E)	44	#5	10'-11"	□
h <sub>1</sub> (E)	4	#5	11'-8"	□
p(E)	9	#7	18'-6"	□
p <sub>1</sub> (E)	9	#7	19'-6"	□
s <sub>2</sub> (E)	39	#5	11'-5"	□
s <sub>3</sub> (E)	4	#5	11'-11"	□
u(E)	8	#6	7'-5"	▽
v <sub>1</sub> (E)	76	#5	4'-7"	□
v <sub>2</sub> (E)	12	#5	6'-5"	□
v <sub>3</sub> (E)	10	#5	9'-10"	□
Structure Excavation		Cu. Yd.	24.5	
Concrete Structures		Cu. Yd.	16.6	
Reinforcement Bars, Epoxy Coated		Pound	2400	
Furnishing Steel Piles HP14x73		Foot	275	
Driving Piles		Foot	275	
Test Pile Steel HP14x73		Each	1	
Concrete Encasement		Cu. Yd.	3.3	
Anchor Bolts, 1"		Each	12	

For details of bar splicers, see sheet 22 of 25.  
For details of piles and concrete encasement, see sheet 23 of 25.

**EAST ABUTMENT  
STRUCTURE NO. 073-0037**

DESIGNED	Stephen M. Ryan
CHECKED	Jay D. Edwards
DRAWN	h.t. duong
CHECKED	SMR/JDE

EXAMINED	Thomas J. Damagala
PASSED	Ralph E. Anderson

Sep. 30, 2009  
ENGINEER OF BRIDGE DESIGN  
ENGINEER OF BRIDGES AND STRUCTURES

SHEET NO. 18	F.A.P. RTE.	SECTION	COUNTY	TOTAL SHEETS	SHEET NO.
25 SHEETS	865	16B-2	PERRY	47	40
CONTRACT NO. 78064					
FED. ROAD DIST. NO. _ ILLINOIS FED. AID PROJECT					