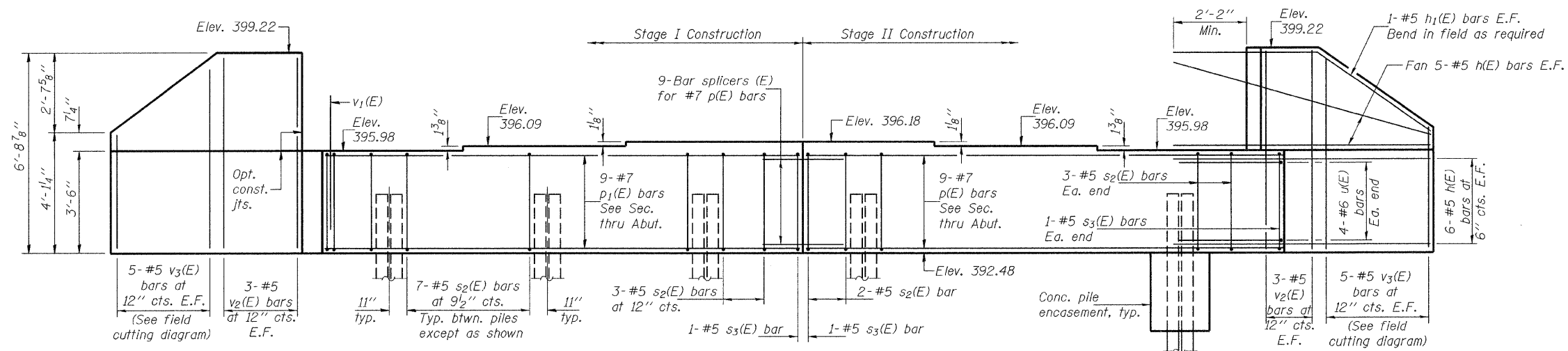
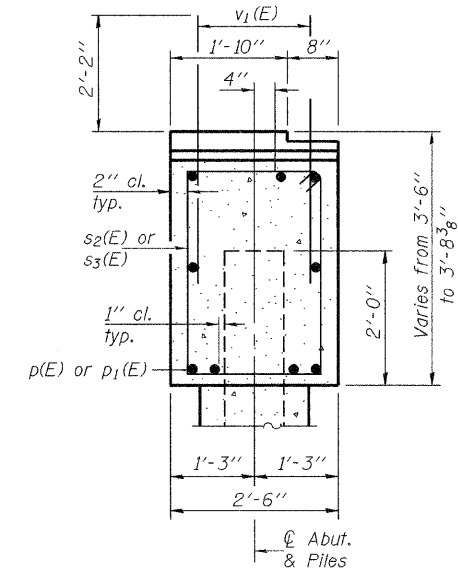


STATE OF ILLINOIS  
DEPARTMENT OF TRANSPORTATION

Notes: Four steps monolithically with cap.  
Space reinforcement in cap to miss anchor bolts.



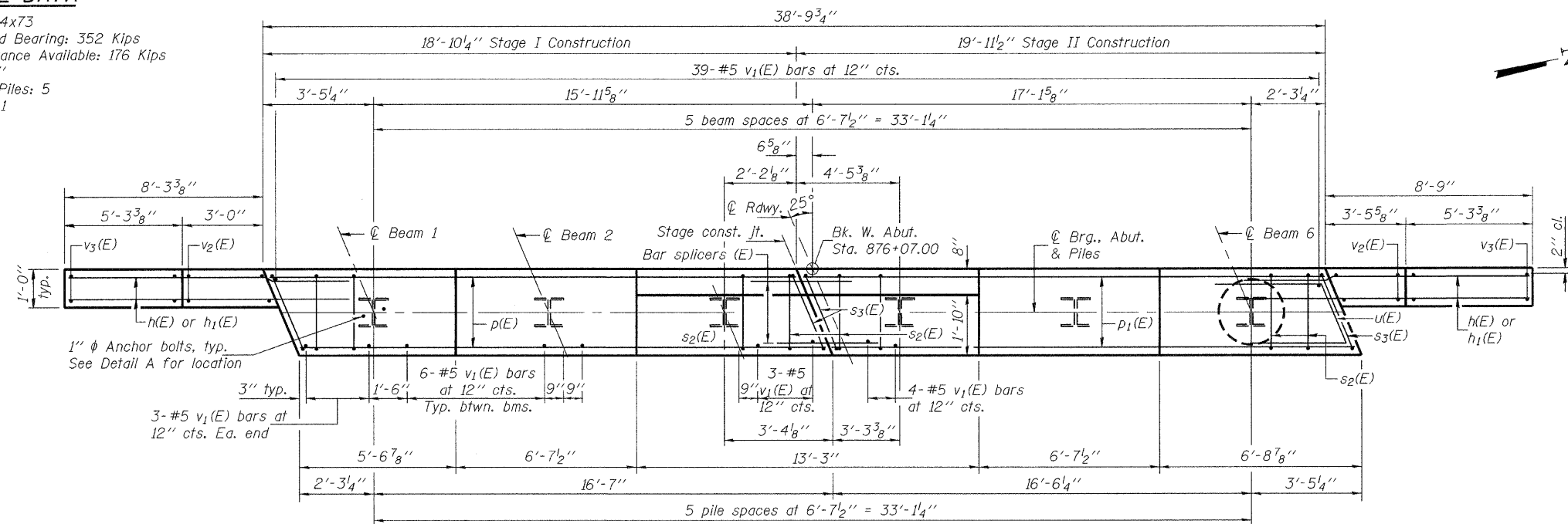
**ELEVATION**  
(Looking west)



**SEC. THRU ABUT.**

**PILE DATA**

Type: Steel HP14x73  
Nominal Required Bearing: 352 Kips  
Factored Resistance Available: 176 Kips  
Est. Length: 67'  
No. Production Piles: 5  
No. Test Piles: 1

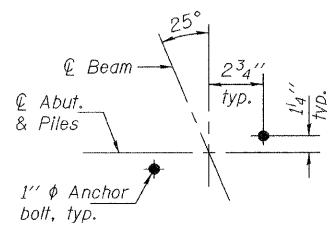


**PLAN**

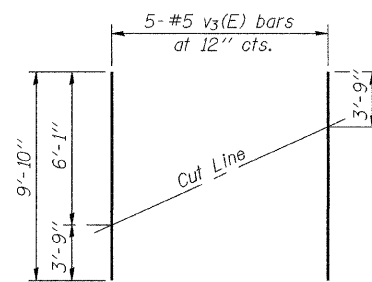
**BILL OF MATERIAL**

Bar	No.	Size	Length	Shape
h(E)	44	#5	10'-11"	—
h1(E)	4	#5	11'-8"	—
p(E)	9	#7	18'-6"	—
p1(E)	9	#7	19'-6"	—
s2(E)	39	#5	11'-5"	□
s3(E)	4	#5	11'-11"	□
u(E)	8	#6	7'-5"	∟
v1(E)	76	#5	4'-7"	—
v2(E)	12	#5	6'-5"	—
v3(E)	10	#5	9'-10"	—
Structure Excavation		Cu. Yd.	24.5	
Concrete Structures		Cu. Yd.	16.6	
Reinforcement Bars, Epoxy Coated		Pound	2400	
Furnishing Steel Piles HP14x73		Foot	335	
Driving Piles		Foot	335	
Test Pile Steel HP14x73		Each	1	
Concrete Encasement		Cu. Yd.	3.3	
Anchor Bolts, 1"		Each	12	

For details of bar splicers, see sheet 22 of 25.  
For details of piles and concrete encasement, see sheet 23 of 25.

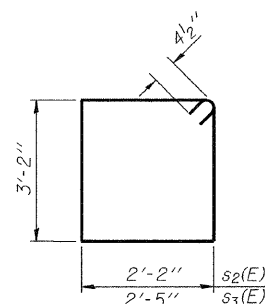


**DETAIL A**

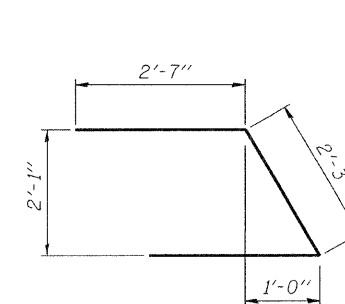


**FIELD CUTTING DIAGRAM**

Order v3(E) full length. Cut as shown and use remainder of bars in opposite face.



**BARS s2(E) & s3(E)**



**BAR u(E)**

DESIGNED	Stephen M. Ryan
CHECKED	Jay D. Edwards
DRAWN	h.t. duong
CHECKED	SMR/JDE

EXAMINED	Thomas J. Damagala	Sep. 30, 2009
PASSED	Ralph E. Anderson	

**WEST ABUTMENT  
STRUCTURE NO. 073-0037**

SHEET NO. 19 25 SHEETS	F.A.P. RTE. 865	SECTION 16B-2	COUNTY PERRY	TOTAL SHEETS 47	SHEET NO. 41
	CONTRACT NO. 78064				
FED. ROAD DIST. NO. _ ILLINOIS FED. AID PROJECT					