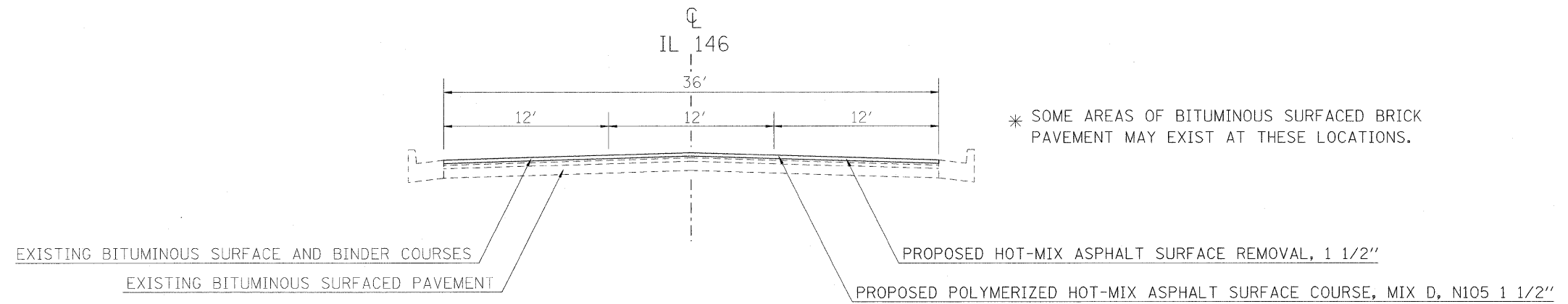


TYPICAL SECTION
 STATION 104+49 TO 127+30
 PAVEMENT WIDENING (STA. 104+49 TO 106+64) 36' TO 62'
 EQ. 127+30 BK = 21+55.05 AH



* SOME AREAS OF BITUMINOUS SURFACED BRICK PAVEMENT MAY EXIST AT THESE LOCATIONS.

TYPICAL SECTION
 STA. 73+31 TO 104+49
 OMIT CONCRETE PAVEMENT IN LT. LANE STA. 89+65 TO 92+17

* MATCH EXISTING CROSS SLOPES

FILE NAME =	USER NAME = noesdp	DESIGNED -	REVISED -	STATE OF ILLINOIS DEPARTMENT OF TRANSPORTATION	TYPICAL SECTIONS				F.A. RTE.	SECTION	COUNTY	TOTAL SHEETS	SHEET NO.		
c:\pwork\pwork\dot\noesdp\dms43722\d978472.sht.pln.dgn		DRAWN -	REVISED -		SCALE:	SHEET NO.	OF	SHEETS	STA.	TO STA.	885	104RS-5, 13RS-1, 106RS-4	UNION	24	7
		CHECKED -	REVISED -		CONTRACT NO. 78072										
		DATE -	REVISED -		FED. ROAD DIST. NO. ILLINOIS FED. AID PROJECT										