

STATE OF ILLINOIS
DEPARTMENT OF TRANSPORTATION
DIVISION OF HIGHWAYS

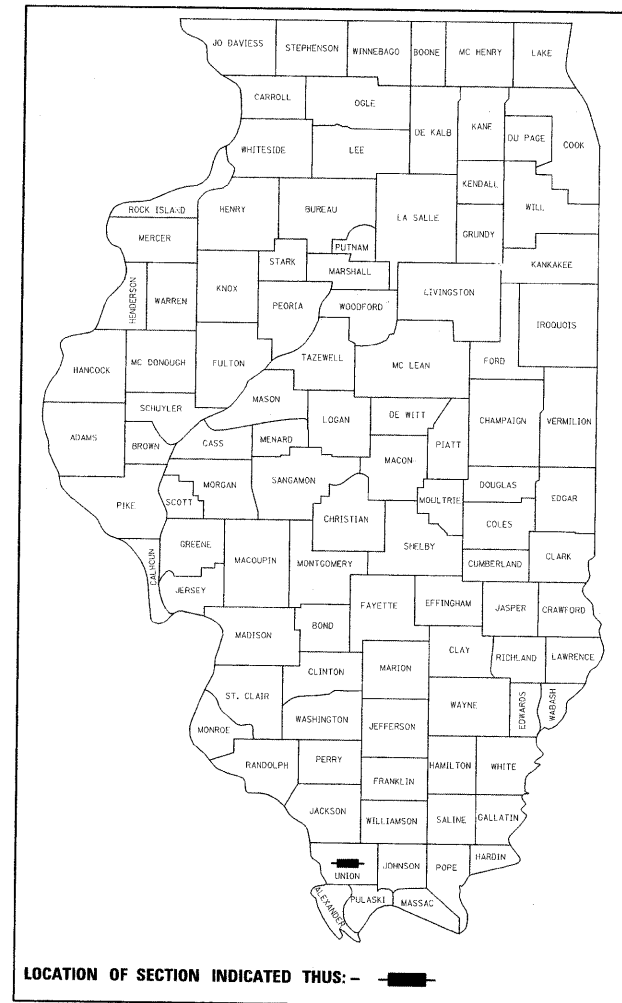
PROPOSED
HIGHWAY PLANS

ROUTE IL 146 (FAP 885)
SECTION 104RS-5, 13RS-1, 106RS-4

PROJECT # F-0885(041)
RESURFACING, MEDIAN REMOVAL, & WHITETOPPING REPAIR
UNION COUNTY
C-99-058-08

F.A. RTE.	SECTION	COUNTY	TOTAL SHEETS	SHEET NO.
885	104RS-5, 13RS-1, 106RS-4	UNION	24	1
FED. ROAD DIST. NO.	ILLINOIS	CONTRACT NO. 78072		

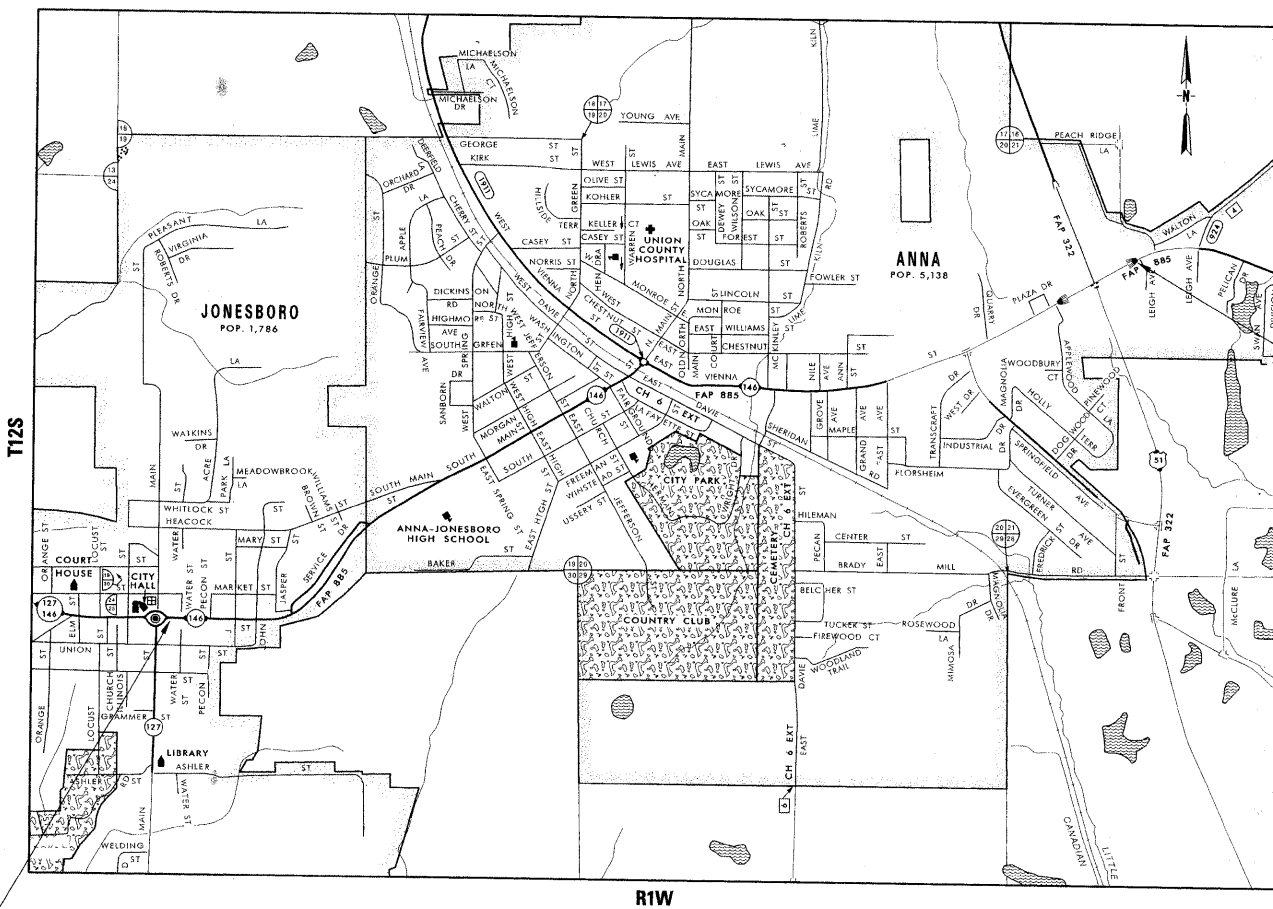
D-99-038-08



LOCATION OF SECTION INDICATED THIS: - [Black Box] -

FOR INDEX OF SHEETS, SEE SHEET NO. 2

APPROACH	ADT(2007)	% TRUCKS
IL 146 (WEST JOB LIMITS TO IL 146 /VIENNA ST.INTERSECTION)	12600	5.5
IL 146 (IL 146 /VIENNA ST.INTERSECTION TO EAST JOB LIMITS)	17800	9.0



PROPOSED PROJECT ENDS
STATION 32+29.36

STATE OF ILLINOIS
DEPARTMENT OF TRANSPORTATION
DIVISION OF HIGHWAYS

SUBMITTED Jan 29, 20 09
My C. Ramis
DEPUTY DIRECTOR OF HIGHWAYS, REGION ENGINEER

March 27, 20 09
Charles G. Ingersoll
ENGINEER OF DESIGN AND ENVIRONMENT

March 27, 20 09
Christine M. Reed
DIRECTOR OF HIGHWAYS, CHIEF ENGINEER

TOWNSHIP: ANNA

0 50' 100' 1" = 40' PLAN SHEETS
0 50' 100' 1" = 30' PLAN SHEETS

FULL SIZE PLANS HAVE BEEN PREPARED USING STANDARD ENGINEERING SCALES. REDUCED SIZED PLANS WILL NOT CONFORM TO STANDARD SCALES. IN MAKING MEASUREMENTS ON REDUCED PLANS, THE ABOVE SCALES MAY BE USED.

J.U.L.I.E.
JOINT UTILITY LOCATION INFORMATION FOR EXCAVATION
1-800-892-0123
OR 811

PROJECT ENGINEER: PATRICK NAAS
PROJECT MANAGER: SUSAN POE

PROPOSED PROJECT BEGINS
STATION 0+21.00

GROSS LENGTH OF PROJECT = 2.611 MILES
NET LENGTH OF PROJECT = 2.466 MILES
EQUATION: STA. 127+30.00 BK = 21+55.05 AH

CONTRACT NO. 78072

PRINTED BY THE AUTHORITY
OF THE STATE OF ILLINOIS

GENERAL NOTES

STATIONING SHOWN ON PLANS FOR RESURFACING IS FOR CONSTRUCTION PURPOSES ONLY AND NOT TO BE STAMPED ON FINAL BITUMINOUS SURFACE.

BITUMINOUS SURFACE REMOVAL OPERATIONS MAY NEED ADJUSTED TO PERFORM EDGE OF PAVEMENT PROFILE CORRECTIONS IN THE AREAS OF 35+00 TO 38+00. THESE LOCATIONS SHALL BE DETERMINED BY THE ENGINEER.

THE THICKNESS OF HOT MIX ASPHALT MIXTURE SHOWN ON THE PLANS IS THE NOMINAL THICKNESS. DEVIATIONS FROM THE NOMINAL THICKNESS WILL BE PERMITTED WHEN SUCH DEVIATIONS OCCUR DUE TO IRREGULARITIES IN THE EXISTING SURFACE OR BASE ON WHICH THE HOT MIX ASPHALT MIXTURE IS PLACED.

AT PCC INLAY LOCATIONS, PROPOSED SAW CUTS WILL BE SAWED TO MATCH EXISTING CUTS ON ADJACENT PAVEMENT.

FACTORS USED FOR ESTIMATING PLAN QUANTITIES ARE AS FOLLOWS AND SHALL NOT BE USED FOR THE BASIS OF FINAL QUANTITIES:

ALL HOT MIX ASPHALT	2.392 METRIC TONS/CU. METER (2.016 TONS/CU. YD.)
ALL AGGREGATE	2.43 METRIC TONS/CU. METER (2.05 TONS/CU. YD.)
BITUMINOUS MATERIALS:	
ON PAVEMENT	0.41 LITERS/SQ. METER (0.09 GAL./SQ. YD.)
INTERMEDIATE LIFTS (FOG COAT)	0.20 LITERS/SQ. METER (0.04 GAL./SQ. YD.)
ON AGGREGATE SURFACE	1.45 LITERS/SQ. METER (0.32 GAL./SQ. YD.)
AGGREGATE (PRIME COAT)	0.0016 METRIC TONS/SQ. METER (0.0015 TONS/SQ. YD.)
RIPRAP	1.78 METRIC TONS/CU. METER (1.50 TONS/CU. YD.)

THE QUANTITY OF SHORT TERM PAVEMENT MARKING SHOWN IN THE PLANS IS BASED ON ONE APPLICATION EACH FOR SURFACE REMOVAL AND BITUMINOUS SURFACE COURSE.

THE CONCRETE SURFACE REMOVAL THAT WILL BE REQUIRED IN SOME AREAS ON EXISTING CONCRETE PATCHES WILL BE INCLUDED IN THE COST OF HOT-MIX ASPHALT SURFACE REMOVAL.

THE USE OF A VIBRATORY ROLLER SHALL BE PROHIBITED. THE CONTRACTOR MAY BE REQUIRED TO MAKE ROLLING PATTERN ADJUSTMENTS TO OBTAIN THE REQUIRED FIELD DENSITY.

REMOVAL OF SURFACE MATERIAL LOCATED IN THE GUTTER FLAG SHALL BE INCIDENTAL TO HOT-MIX ASPHALT SURFACE REMOVAL 1 1/2 IN.

QUANTITIES SHOWN IN THE PLANS FOR PATCHING ARE ESTIMATES. THE ACTUAL AMOUNT OF PATCHING REQUIRED SHALL BE DETERMINED BY THE ENGINEER.

A 4' MINIMUM CLASS C PATCH WILL BE REQUIRED NEXT TO THE CONCRETE RAILROAD CROSSING PANELS.

ATTAINMENT OF PROPER CROWN OR SUPERELEVATION SHALL BE FULLY ACCOMPLISHED WITH THE HOT MIX ASPHALT SURFACE REMOVAL OR HOT MIX ASPHALT BINDER COURSE OR LEVELING BINDER, WHEN SPECIFIED.

AT ALL LOCATIONS WHERE THE PROPOSED HOT MIX ASPHALT OR CONCRETE PAVEMENT JOINS AN EXISTING HOT MIX ASPHALT OR CONCRETE PAVEMENT, A FULL DEPTH SAWED JOINT SHALL BE CONSTRUCTED. THE COST OF THIS JOINT WILL BE INCLUDED IN THE COST OF THE TYPE OF PAVEMENT BEING CONSTRUCTED.

BITUMINOUS RESURFACING SHALL BE PLACED IN A SEQUENCE THAT WILL MINIMIZE THE TIME THE CENTERLINE EDGE IS EXPOSED TO TRAFFIC. WHEN AT THE END OF A DAY'S OPERATION THE EXPOSED CENTERLINE EDGE IS GREATER THAN 600 METERS (2,000 FT.), THE CONTRACTOR SHALL BE REQUIRED TO PAVE IN THE ADJACENT LANE ON THE FOLLOWING WORK DAY. PRIOR TO WINTER SHUTDOWN, RESURFACING ON ADJACENT LANES IS TO BE BROUGHT UP TO THE SAME ELEVATION.

PRIOR TO PLACEMENT OF THE FINAL PAVEMENT MARKINGS THE RESIDENT ENGINEER SHOULD CONTACT THE BUREAU OF OPERATIONS AND ARRANGE FOR INSPECTION AND APPROVAL OF THE PAVEMENT MARKING LAYOUT.

ALL ELECTRIC CABLE AND CONDUIT QUANTITIES ARE ROUNDED UP TO THE NEAREST 1.52 m (5 FT.).

THE FURNISHING AND INSTALLATION OF THE 3.18 cm (1 IN.) CONDUIT WITH ITS TRENCHING AND BACKFILL FROM THE LOOP SAWCUT TO THE SPLICE POINT SHALL BE INCLUDED IN THE LOOP INSTALLATION UNLESS SHOWN OTHERWISE ON THE PLANS.

THE INDUCTION LOOP WIRE AND LEAD-IN WIRE SHALL BE INSTALLED IN ACCORDANCE WITH THE MANUFACTURER'S RECOMMENDATION.

SHIELDED CABLE TO LOOP LEADS SHALL BE GROUNDED AT THE CONTROLLER TERMINAL ONLY.

ALL DETECTOR LOOP CORNERS SHALL BE CORE DRILLED 5.08 cm (2 IN.) MINIMUM DIAMETER EXCEPT THOSE PLACED UNDER RESURFACING. THE DETECTOR LOOP CORNERS PLACED UNDER RESURFACING SHALL BE DIAGONALLY SAWCUT.

EXISTING SURFACE DISTURBED DURING EXCAVATION FOR FOUNDATIONS AND PUSH PITS SHALL BE RESTORED TO THE LIMITS AND CONDITION SPECIFIED BY THE ENGINEER OR AS SHOWN ON THE PLANS. UNLESS NOTED OTHERWISE ON THE PLANS THE REMOVAL AND RESTORATION SHALL BE INCLUDED IN THE CONTRACT.

CABLE QUANTITIES ARE MEASURED IN PLAN VIEW.

SAWED SLOTS FOR TWISTED PAIR ELECTRIC CABLES SHALL BE LARGER THAN SINGLE CONDUCTOR LOOP SLOTS.

THE LOCATION OF THE DETECTOR LOOPS MAY BE ADJUSTED TO FIT FIELD CONDITIONS AS DIRECTED BY THE ENGINEER OF TRAFFIC OPERATIONS.

ALL DETECTOR LOOPS SHALL BE INSTALLED PRIOR TO RESURFACING.

THE CONTRACTOR SHALL NOTIFY THE ENGINEER OF TRAFFIC OPERATIONS 72 HOURS PRIOR TO THE SHUT-DOWN OR CUTTING OF EXISTING DETECTOR LOOPS.

IN ADDITION TO THE REQUIREMENTS OF ARTICLE 107.16 THE CONTRACTOR SHALL PROTECT THE SURFACE OF ALL BRIDGE DECKS AND BRIDGE APPROACH PAVEMENTS IN A MANNER SATISFACTORY TO THE ENGINEER BEFORE ANY EQUIPMENT IS ALLOWED TO CROSS THE STRUCTURE. PROTECTION SHALL BE PROVIDED FOR ALL EQUIPMENT AS DEFINED IN ARTICLE 101.16 REGARDLESS IF TRACK MOUNTED OR WHEELED.

RECLAIMED ASPHALT PAVEMENT (RAP) WILL NOT BE ALLOWED FOR USE AS AGGREGATE IN AGGREGATE SHOULDERS, TYPE B.

STRUCTURES WITH PROJECT LIMITS

Structure No.	Operating Rating	Inventory Rating	Posting
091-7045	0	0	No Posting
091-7046	20.0	12.2	Legal Load Only

THERE ARE NO AVAILABLE WASTESITES WITHIN THE PROJECT'S LIMITS.

COMMITMENTS: NONE

MIXTURE REQUIREMENTS

Location(s):	Hot-Mix Asphalt Surface Course
Mixture Use(s):	Polymerized Hot-Mix Asphalt Surface Course, Mix D, NI05
AC/PG:	SBS PG76-22
RAP % (Max):	0
Design Air Voids:	4.0%, 105 Gyration Design
Mixture Composition: (Gradation Mixture)	IL-9.5 mm or IL 12.5 mm
Friction	D Surface
Aggregate:	

SHEET#	DESCRIPTION
1	COVER SHEET
2	GENERAL NOTES / INDEX OF SHEETS LIST OF STANDARDS
3-4	SUMMARY OF QUANTITIES
5-9	TYPICAL SECTIONS
10-15	SCHEDULES: REMOVAL / RESURFACING / DETECTOR LOOPS / THERMOPLASTIC PAVEMENT MARKING PATCHING SCHEDULE
16-18	PLAN SHEET IL 146 (EAST OF US 51)
19	PCC INLAY REFERENCE SHEET
20	PAVEMENT MARKING DETAIL SHEET IL 146 (EAST OF US 51)
21	POLYUREA PAVEMENT MARKING DETAIL SHEET IL 146 / VIENNA ST. INTERSECTION
22	
23-24	DETAILS

STANDARDS INDEX

000001-05	STANDARD SYMBOLS, ABBREVIATIONS, AND PATTERNS
001001-02	AREAS OF REINFORCEMENT BARS
001006	DECIMAL OF AN INCH AND OF A FOOT
353001-04	PCC BASE COURSE WITH HMA BINDER AND SURFACE COURSES
420001-07	PAVEMENT JOINTS
442201-03	CLASS C & D PATCHES
701001-02	OFF-ROAD OPERATIONS 2-L, 2-W, MORE THAN 15' AWAY
701006-03	OFF-ROAD OPERATIONS 2-L, 2-W, 15' TO 24" FROM PAVEMENT EDGE
701011-02	OFF-ROAD MOVING OPERATIONS 2-L, 2-W, DAY ONLY
701301-03	LANE CLOSURE 2-L, 2-W SHORT TIME OPERATIONS
701311-03	LANE CLOSURE 2-L, 2-W MOVING OPERATIONS - DAY ONLY
701501-05	URBAN LANE CLOSURE 2-L, 2-W, UNDIVIDED
701502-03	URBAN LANE CLOSURE 2-L, 2-W, BI-DIRECTIONAL LEFT TURN LANE
701602-04	URBAN LANE CLOSURE, MULTILANE, 2-WAY WITH BI-DIRECTIONAL LEFT TURN LANE
701701-06	URBAN LANE CLOSURE, MULTILANE INTERSECTION
701901-01	TRAFFIC CONTROL DEVICES
780001-02	TYPICAL PAVEMENT MARKINGS
781001-03	TYPICAL APPLICATIONS RAISED REFLECTIVE PAVEMENT MARKERS
857001-01	STANDARD PHASE DESIGNATION DIAGRAMS AND PHASE SEQUENCES
886001-01	DETECTOR LOOP INSTALLATIONS
886006-01	TYPICAL LAYOUTS FOR DETECTION LOOPS

Prepared By: Joe Zdaniewicz
DISTRICT STUDIES & PLANS ENGINEER

Examined By: James Lewis Emery
DISTRICT LAND ACQUISITION ENGINEER

Examined By: Cornie Nelson
DISTRICT PROGRAM DEVELOPMENT ENGINEER

Examined By: Kath Wiley
DISTRICT OPERATIONS ENGINEER

Examined By: Jim Smother
DISTRICT CONSTRUCTION ENGINEER

Examined By: Eric Padden
DISTRICT MATERIALS ENGINEER

Examined By: Jim Smother
DISTRICT PROJECT IMPLEMENTATION ENGINEER

Examined By: Jenny Clayton
ASSISTANT REGIONAL ENGINEER

Approved By: My Kimis
DEPUTY DIRECTOR OF HIGHWAYS, REGION ENGINEER

DATE Jun 29 2009

SUMMARY OF QUANTITIES

CODE NO.	ITEM	CONSTRUCTION TYPE CODE	
		UNIT	I000 <i>URBAN</i> TOTAL QUANTITIES 80% FED 20% STATE
X4200830	PORTLAND CEMENT CONCRETE INLAY, 3"	SQ YD	108
Z0048665	RAILROAD PROTECTIVE LIABILITY INSURANCE	L SUM	1
31100300	SUB-BASE GRANULAR MATERIAL, TYPE A 4"	SQ YD	731
35300300	PORTLAND CEMENT CONCRETE BASE COURSE 8"	SQ YD	731
40600115	POLYMERIZED BITUMINOUS MATERIALS(PRIME COAT)	GALLON	5204
40600300	AGGREGATE (PRIME COAT)	TON	87
40600990	TEMPORARY RAMP	SQ YD	425
40603550	POLYMERIZED HOT-MIX ASPHALT SURFACE COURSE, MIX "D", N105	TON	4857
44000155	HOT-MIX ASPHALT SURFACE REMOVAL, 1 1/2"	SQ YD	57651
44003700	MEDIAN REMOVAL (SPECIAL)	SQ FT	6576
44201361	CLASS C PATCHES, TYPE I, 11 INCH	SQ YD	72
44201365	CLASS C PATCHES, TYPE II, 11 INCH	SQ YD	1222
44201369	CLASS C PATCHES, TYPE III, 11 INCH	SQ YD	383
44201371	CLASS C PATCHES, TYPE IV, 11 INCH	SQ YD	598
44213200	SAW CUTS	FOOT	719
60622700	CONCRETE MEDIAN TYPE SM-6.06 (SPECIAL)	SQ FT	34
67000400	ENGINEERS FIELD OFFICE, TYPE A	CAL MO	2
67100100	MOBILIZATION	L SUM	1
70100460	TRAFFIC CONTROL AND PROTECTION, STANDARD 701306	L SUM	1
70102620	TRAFFIC CONTROL AND PROTECTION, STANDARD 701501	L SUM	1
70102622	TRAFFIC CONTROL AND PROTECTION, STANDARD 701502	L SUM	1
70102632	TRAFFIC CONTROL AND PROTECTION, STANDARD 701602	L SUM	1
70102635	TRAFFIC CONTROL AND PROTECTION, STANDARD 701701	L SUM	1
70103815	TRAFFIC CONTROL SURVEILLANCE	CAL DA	1.3
70106800	CHANGEABLE MESSAGE SIGN	CAL MO	2
70300100	SHORT-TERM PAVEMENT MARKING	FOOT	4492
70300210	TEMPORARY PAVEMENT MARKING - LETTERS AND SYMBOLS	SQ FT	773
70300220	TEMPORARY PAVEMENT MARKING - LINE 4"	FOOT	38998

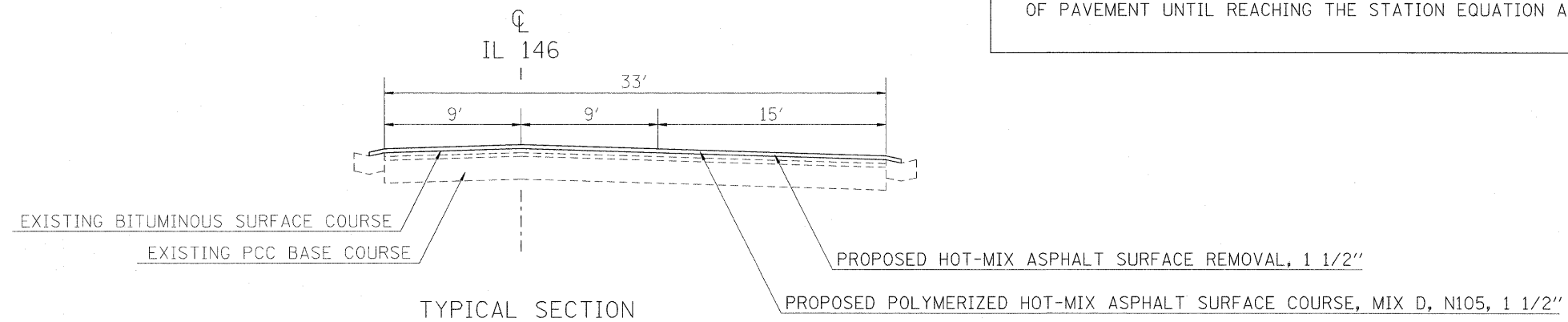
SUMMARY OF QUANTITIES (CONTINUED)

CODE NO.	ITEM	CONSTRUCTION TYPE CODE	
		UNIT	URBAN TOTAL QUANTITIES 80% FED 20% STATE
70300240	TEMPORARY PAVEMENT MARKING - LINE 6"	FOOT	365
70300260	TEMPORARY PAVEMENT MARKING - LINE 12"	FOOT	145
70300280	TEMPORARY PAVEMENT MARKING - LINE 24"	FOOT	422
70301000	WORK ZONE PAVEMENT MARKING REMOVAL	SQ FT	16548
78000100	THERMOPLASTIC PAVEMENT MARKING - LETTERS AND SYMBOLS	SQ FT	775
* 78000200	THERMOPLASTIC PAVEMENT MARKING - LINE 4"	FOOT	38480
* 78000400	THERMOPLASTIC PAVEMENT MARKING - LINE 6"	FOOT	365
* 78000600	THERMOPLASTIC PAVEMENT MARKING - LINE 12"	FOOT	76
* 78000650	THERMOPLASTIC PAVEMENT MARKING - LINE 24"	FOOT	288
* 78008200	POLYUREA PAVEMENT MARKING TYPE I - LETTERS AND SYMBOLS	SQ FT	106
* 78008210	POLYUREA PAVEMENT MARKING TYPE I - LINE 4"	FOOT	518
* 78008250	POLYUREA PAVEMENT MARKING TYPE I - LINE 12"	FOOT	69
* 78008270	POLYUREA PAVEMENT MARKING TYPE I - LINE 24"	FOOT	134
* 78100100	RAISED REFLECTIVE PAVEMENT MARKER	EACH	464
78300100	PAVEMENT MARKING REMOVAL	SQ FT	615
78300200	RAISED REFLECTIVE PAVEMENT MARKER REMOVAL	EACH	464
* 88600100	DETECTOR LOOP, TYPE I	FOOT	877

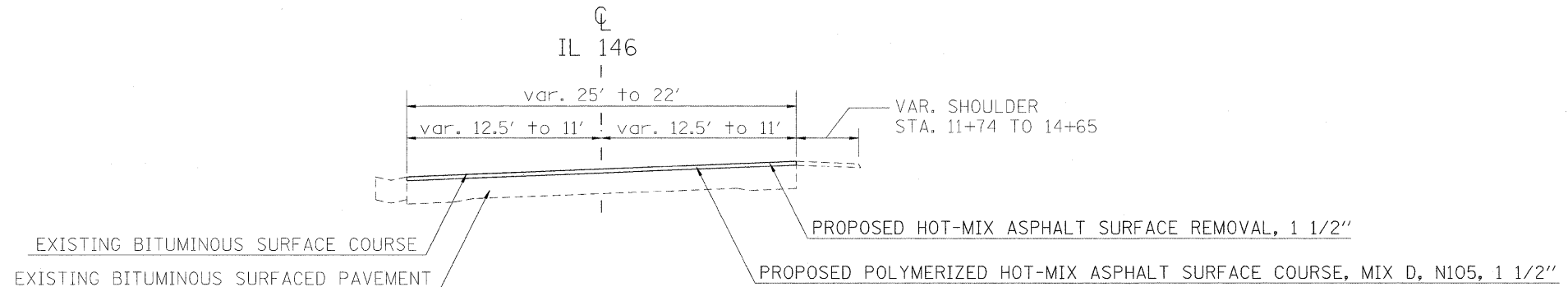
**specialty Items*

FILE NAME =	USER NAME = neasdp	DESIGNED -	REVISED -	STATE OF ILLINOIS DEPARTMENT OF TRANSPORTATION	SUMMARY OF QUANTITIES	F.A. RTE.	SECTION	COUNTY	TOTAL SHEETS	SHEET NO.	
c:\pwork\PW1001\NAASDP\dms43722\978072_sht_sch.dgn		DRAWN -	REVISED -			885	104RS-5, 13RS-1, 106RS-4	UNION	24	4	
PLOT SCALE = 32.4256' / IN.		CHECKED -	REVISED -			CONTRACT NO. 78072					
PLOT DATE = 1/21/2009		DATE -	REVISED -			SCALE:	SHEET NO. OF SHEETS	STA. TO STA.	FED. ROAD DIST. NO.	ILLINOIS FED. AID PROJECT	

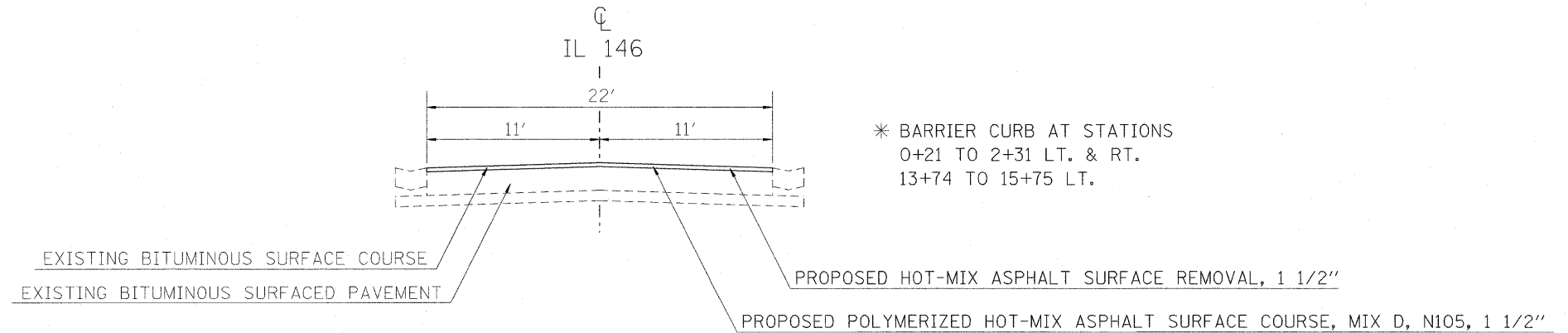
FOR THE PURPOSE OF THIS CONTRACT ONLY, STATIONING (0+21.00) BEGINS AT AN EXISTING BUTT JOINT AT THE EAST LIMITS OF THE JONESBORO SQUARE AND RUNS THE LENGTH OF THE PROJECT MEASURED ALONG THE RIGHT EDGE OF PAVEMENT UNTIL REACHING THE STATION EQUATION AT US 51.



TYPICAL SECTION
 STA. 21+05 TO 40+01
 OMIT CONCRETE PAVEMENT IN RT. LANE STA. 21+05 TO 24+80
 * BITUMINOUS SURFACE REMOVAL OPERATIONS MAY NEED ADJUSTED TO PERFORM EDGE OF PAVEMENT PROFILE CORRECTIONS IN THE AREAS OF 35+00 TO 38+00. THESE LOCATIONS SHALL BE DETERMINED BY THE ENGINEER.



TYPICAL SECTION
 STA. 10+97 TO 21+05
 WIDENING FOR THIRD LANE STA. 20+05 TO 21+05

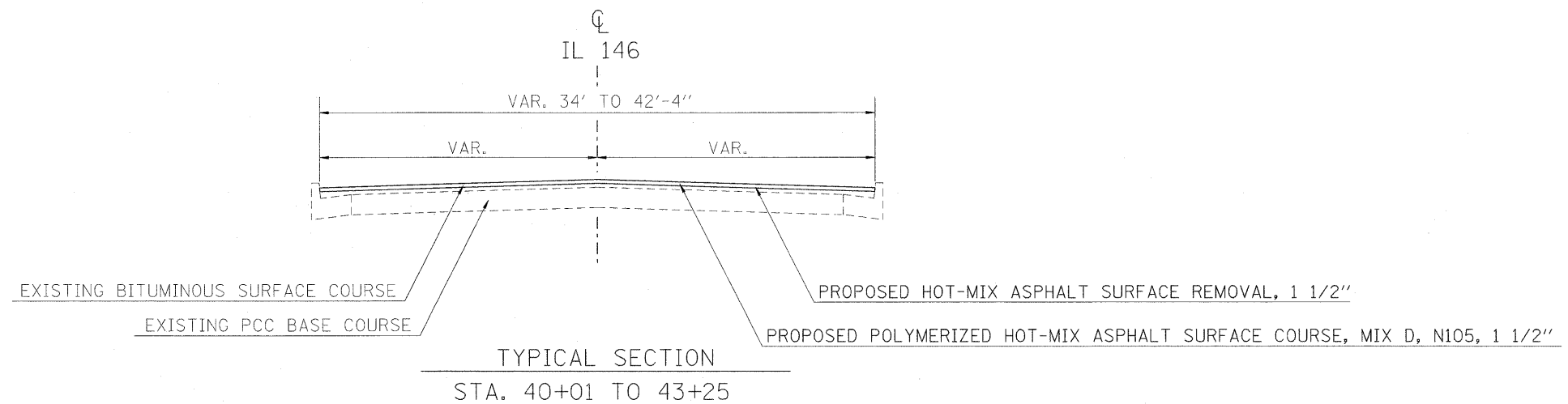
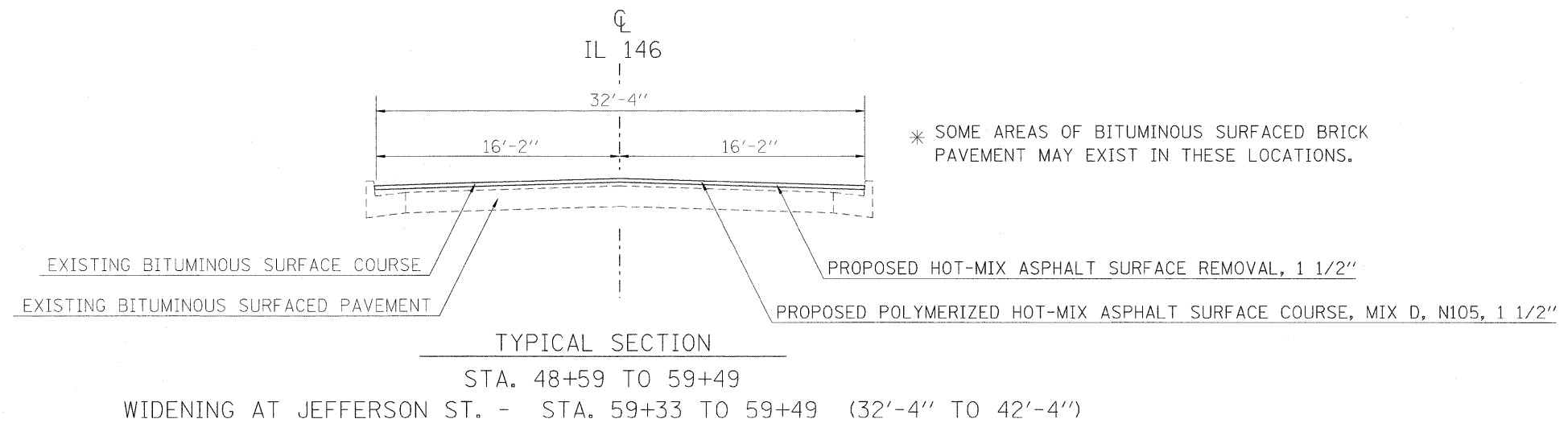
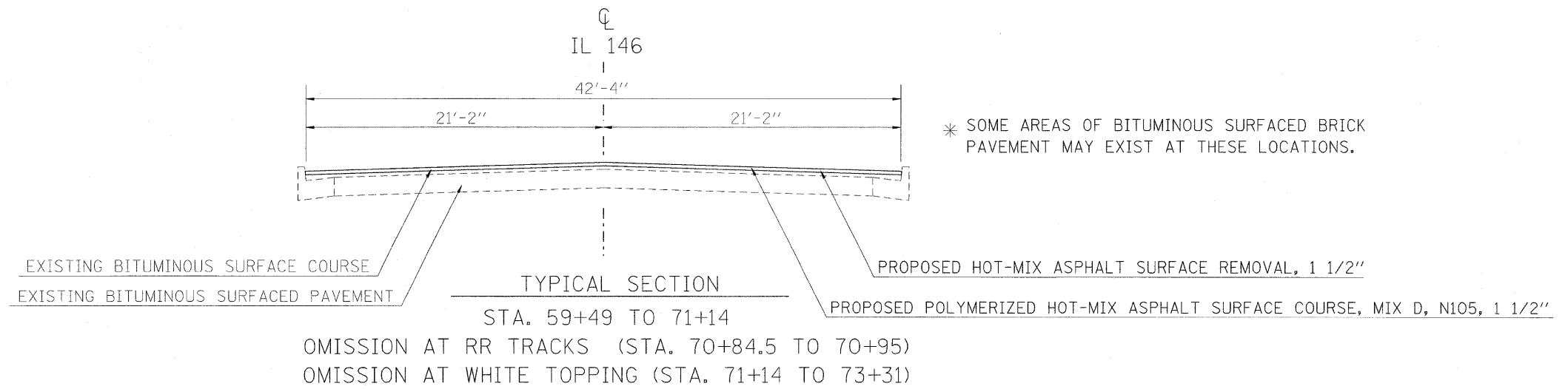


TYPICAL SECTION
 STA. 0+21 TO 10+98
 LANE SEPARATION AT J-BORO SQUARE STA. 0+21 TO 1+00

* BARRIER CURB AT STATIONS
 0+21 TO 2+31 LT. & RT.
 13+74 TO 15+75 LT.

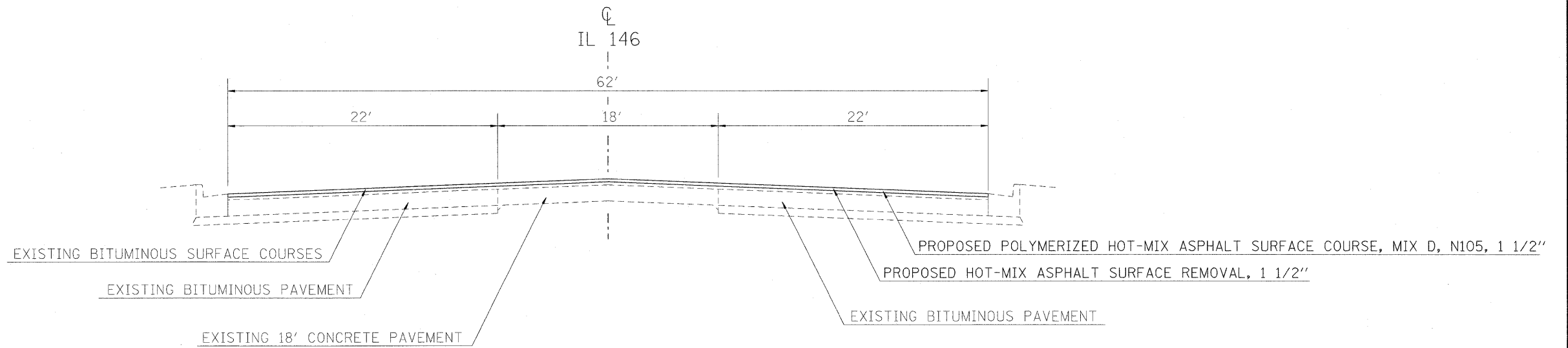
* MATCH EXISTING CROSS SLOPES

FILE NAME =	USER NAME = noesdp	DESIGNED -	REVISED -	STATE OF ILLINOIS DEPARTMENT OF TRANSPORTATION	TYPICAL SECTIONS				F.A. RTE.	SECTION	COUNTY	TOTAL SHEETS	SHEET NO.		
cr:\pw\work\pwi\dot\noesdp\dms43722\d97872_sht.pln.dgn		DRAWN -	REVISED -		SCALE:	SHEET NO.	OF	SHEETS	STA.	TO STA.	885	104RS-5, 13RS-1, 106RS-4	UNION	24	5
		CHECKED -	REVISED -						CONTRACT NO. 78072						
		DATE -	REVISED -						ILLINOIS FED. AID PROJECT						



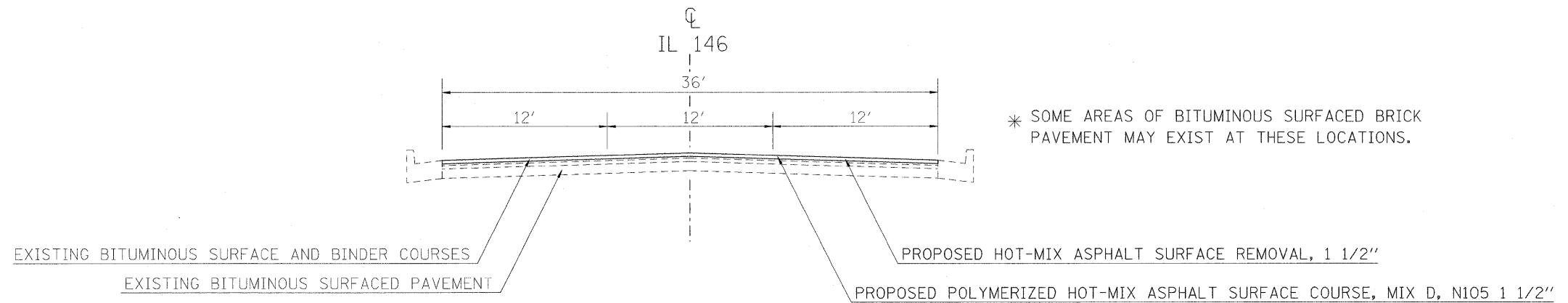
* MATCH EXISTING CROSS SLOPES

FILE NAME =	USER NAME = noesdp	DESIGNED -	REVISED -	STATE OF ILLINOIS DEPARTMENT OF TRANSPORTATION	TYPICAL SECTIONS				F.A. RTE.	SECTION	COUNTY	TOTAL SHEETS	SHEET NO.		
ci:\pw_work\pw\dot\noesdp\dms43722\d978072_sht.pln.dgn		DRAWN -	REVISED -		SCALE:	SHEET NO.	OF	SHEETS	STA.	TO STA.	885	104RS-5, 13RS-1, 106RS-4	UNION	24	6
		CHECKED -	REVISED -						CONTRACT NO. 78072						
		DATE -	REVISED -						FED. ROAD DIST. NO. ILLINOIS FED. AID PROJECT						



TYPICAL SECTION

STATION 104+49 TO 127+30
 PAVEMENT WIDENING (STA. 104+49 TO 106+64) 36' TO 62'
 EQ. 127+30 BK = 21+55.05 AH



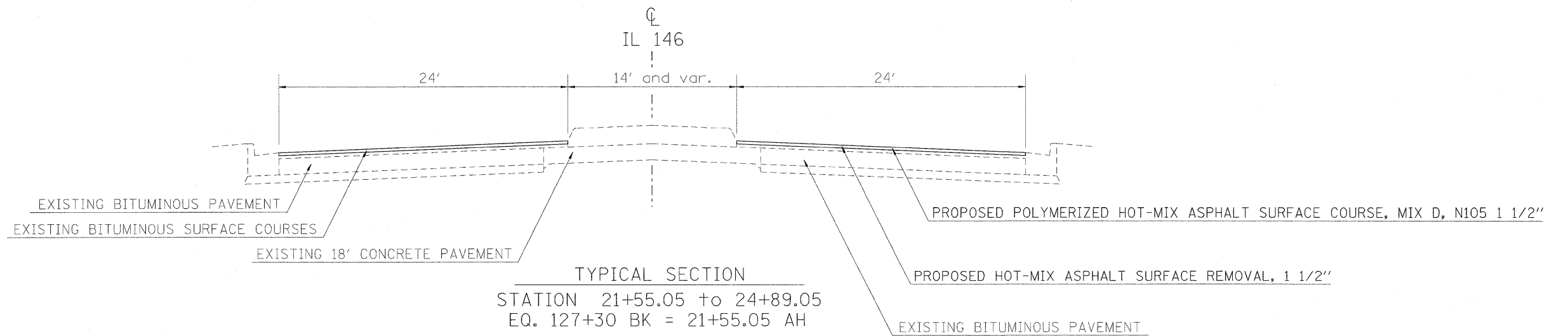
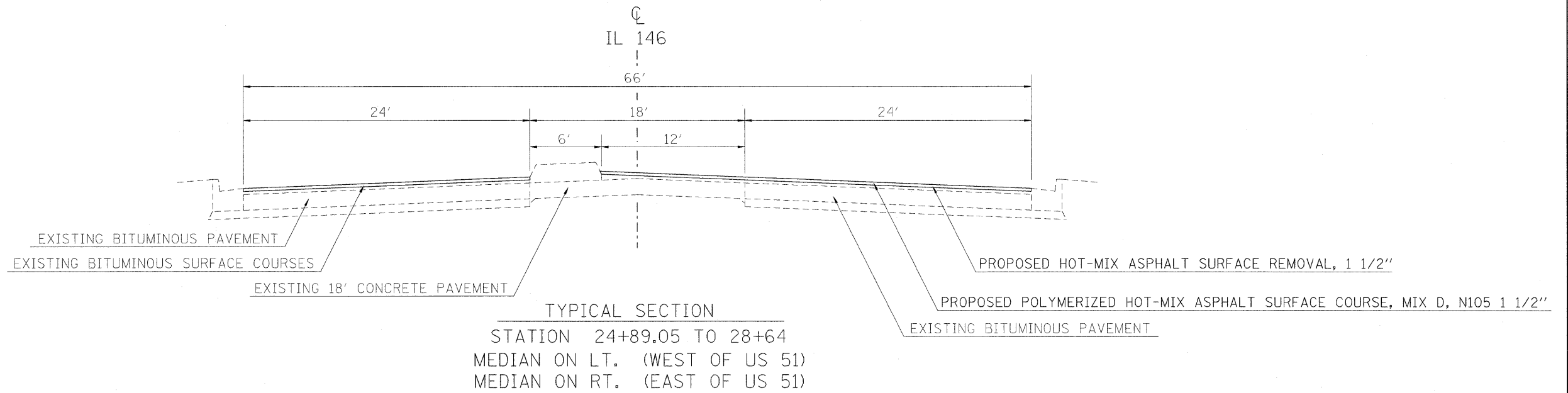
* SOME AREAS OF BITUMINOUS SURFACED BRICK PAVEMENT MAY EXIST AT THESE LOCATIONS.

TYPICAL SECTION

STA. 73+31 TO 104+49
 OMIT CONCRETE PAVEMENT IN LT. LANE STA. 89+65 TO 92+17

* MATCH EXISTING CROSS SLOPES

FILE NAME =	USER NAME = noesdp	DESIGNED -	REVISED -	STATE OF ILLINOIS DEPARTMENT OF TRANSPORTATION	TYPICAL SECTIONS				F.A. RTE.	SECTION	COUNTY	TOTAL SHEETS	SHEET NO.
c:\pwork\pwork\dot\noesdp\dms43722\d978472.sht.pln.dgn		DRAWN -	REVISED -		885	104RS-5, 13RS-1, 106RS-4	UNION	24	7				
PLOT SCALE = 5.0000' / IN.		CHECKED -	REVISED -		SCALE: SHEET NO. OF SHEETS STA. TO STA.				CONTRACT NO. 78072				
PLOT DATE = 1/21/2009		DATE -	REVISED -		FED. ROAD DIST. NO. ILLINOIS FED. AID PROJECT								



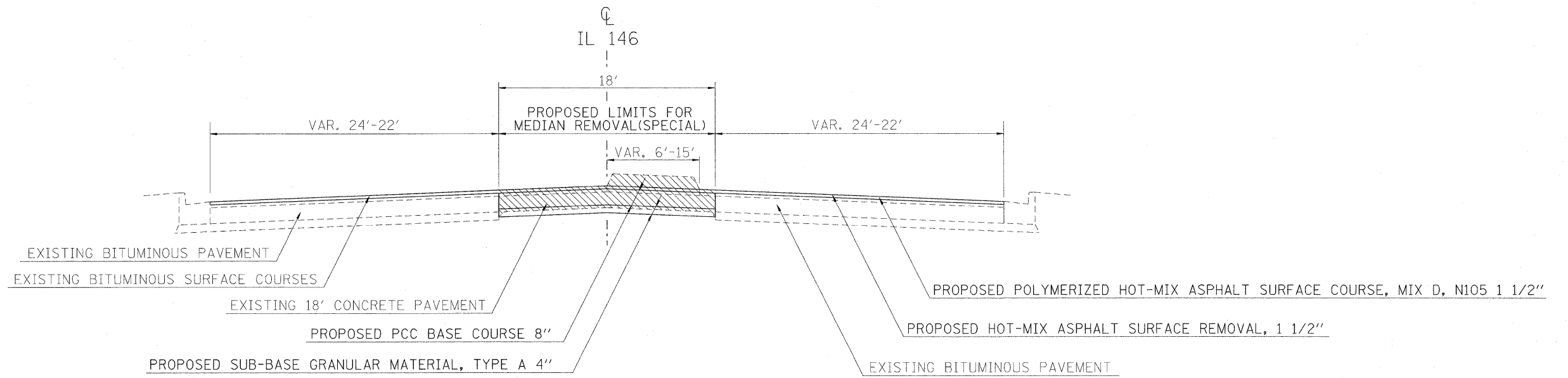
* MATCH EXISTING CROSS SLOPES

FILE NAME =	USER NAME = neasdp	DESIGNED -	REVISED -
c:\pwwork\pwwsdot\neasdp\dms43722\d978672.sht.pln.dgn		DRAWN -	REVISED -
PLOT SCALE = 5.0000' / IN.		CHECKED -	REVISED -
PLOT DATE = 1/21/2009		DATE -	REVISED -

STATE OF ILLINOIS
DEPARTMENT OF TRANSPORTATION

TYPICAL SECTIONS				
SCALE:	SHEET NO.	OF	SHEETS	STA. TO STA.

F.A. RTE.	SECTION	COUNTY	TOTAL SHEETS	SHEET NO.
885	104RS-5, 13RS-1, 106RS-4	UNION	24	8
FED. ROAD DIST. NO.		ILLINOIS FED. AID PROJECT		
CONTRACT NO. 78072				



TYPICAL SECTION
STATION 28+64 TO 32+29.36

* MATCH EXISTING CROSS SLOPES

FILE NAME =	USER NAME = noasdp	DESIGNED -	REVISED -
c:\pwork\pwork\dot\noasdp\dms43722\d978672_sht.pln.dgn		DRAWN -	REVISED -
PLOT SCALE = 5.0000' / IN.		CHECKED -	REVISED -
PLOT DATE = 1/21/2009		DATE -	REVISED -

**STATE OF ILLINOIS
DEPARTMENT OF TRANSPORTATION**

TYPICAL SECTIONS				
SCALE:	SHEET NO.	OF	SHEETS	STA. TO STA.

F.A. RTE.	SECTION	COUNTY	TOTAL SHEETS	SHEET NO.
885	104RS-5, 13RS-1, 106RS-4	UNION	24	9
FED. ROAD DIST. NO.		ILLINOIS FED. AID PROJECT		
CONTRACT NO. 78072				

REMOVAL SCHEDULE

LOCATION STATION TO STATION	LENGTH (FT)	PAVEMENT WIDTH (FT)	HOT-MIX ASPHALT SURFACE REMOVAL 1 1/2" (SQ YD)	MEDIAN REMOVAL (SPECIAL) (SQ FT)	REMARKS
IL 146					
0 + 21 to 1 + 00	79		310		LANE WIDENING AND SEPARATION AT JONESBORO SQUARE
1 + 00 to 10 + 98	998	22.5	2495		
10 + 98 to 20 + 05	907	VAR.	2590		VARIABLE WIDTH (23.8 TO 28.0)
20 + 05 to 21 + 05	100	VAR.	333		VAR. WIDTH (25.0 TO 35.0), BEGIN TAPER FOR THIRD LANE (STA. 20+05 RT)
21 + 05 to 24 + 80	375	23	958		OMIT CONCRETE PAVEMENT IN RT LANE
24 + 80 to 40 + 01	1521	33	5577		
40 + 01 to 43 + 25	324	VAR.	1462		VARIABLE WIDTH (34.0 TO 42.6), WIDENING AT HIGH SCHOOL
43 + 25 to 48 + 59	534				OMISSION AT HIGH SCHOOL
48 + 59 to 59 + 33	1074	32.33	3858		
59 + 33 to 59 + 49	16	VAR.	66		VARIABLE WIDTH (32.33 TO 42.33), WIDENING AT JEFFERSON ST.
59 + 49 to 70 + 84.5	1135.5	42.33	5341		
70 + 84.5 to 70 + 95	10.5				OMISSION AT RAILROAD TRACKS
70 + 95 to 71 + 14	19	42.33	89		WHITE TOPPING BEGINS AT STA. 71+14
71 + 14 to 73 + 31					OMISSION AT WHITE TOPPING
73 + 31 to 89 + 65	1634	36	6536		
89 + 65 to 92 + 17	252	24.5	686		CONCRETE PAVEMENT IN LT. LANE
92 + 17 to 104 + 49	1232	36	4928		BEGIN PAVEMENT WIDTH TAPER (STA. 104+49 LT.)
104 + 49 to 104 + 66	17	VAR.	70		BEGIN PAVEMENT WIDTH TAPER (STA. 104+66 RT.)
104 + 66 to 106 + 64	198	VAR.	1078		
106 + 64 to 127 + 30	2066	62	14232		MEDIAN BEGINS AT 127+30=21+54.74
110 + 88 to 113 + 92		VAR.	364		RT. TURN LANE AT SPRINGFIELD AVE.
21 + 54.74 to 26 + 20.39	465.65	VAR.	2797		MEDIAN ENDS AT 26+20.39
26 + 20.39 to 27 + 19.97	99.58	66	730		MEDIAN BEGINS STA. 27+19.97
27 + 19.97 to 32 + 29.36	509.45	VAR.	3149		MEDIAN ENDS STA. 32+29.36
28 + 64 to 32 + 29.36	365.36			6576	
TOTALS			57651	6576	

RESURFACING SCHEDULE

LOCATION STATION TO STATION	LENGTH (FEET)	PVMNT. WIDTH (FEET)	POLYMERIZED HOT-MIX ASPHALT SURFACE COURSE, MIX "D", N105 1 1/2" (TON)	PORTLAND CEMENT CONCRETE BASE COURSE 8" (SQ YD)	POLYMERIZED BITUMINOUS MATERIALS (PRIME COAT) (GAL)	AGG. (PRIME COAT) (TON)	SUB-BASE GRANULAR MATERIAL TYPE A, 4" (SQ YD)	REMARKS
IL 146								
0 + 21 to 1 + 00	79		26		27.90	0.47		LANE WIDENING AND SEPERATION AT JONESBORO SQUARE
1 + 00 to 10 + 98	998	22.5	210		224.55	3.74		
10 + 98 to 20 + 05	907	VAR.	218		233.10	3.88		VARIABLE WIDTH (23.8 TO 28.0)
20 + 05 to 21 + 05	100	VAR.	28		30.00	0.50		VAR. WIDTH (25.0 TO 35.0), BEGIN TAPER FOR THIRD LANE (STA. 20+05 RT)
21 + 05 to 24 + 80	375	23	81		86.25	1.44		CONCRETE PAVEMENT IN RT LANE
24 + 80 to 40 + 01	1521	34	483		517.14	8.62		
40 + 01 to 43 + 25	324	VAR.	123		131.54	2.19		VARIABLE WIDTH (34.0 TO 42.6), WIDENING AT HIGH SCHOOL
43 + 25 to 48 + 59								OMISSION AT HIGH SCHOOL
48 + 59 to 59 + 33	1074	32.33	324		347.22	5.79		
59 + 33 to 59 + 49	16	VAR.	6		5.97	0.10		VARIABLE WIDTH (32.33 TO 42.33), WIDENING AT JEFFERSON ST.
59 + 49 to 70 + 84.5	1135.5	42.33	449		480.66	8.01		
70 + 84.5 to 70 + 95								OMISSION AT RAILROAD TRACKS
70 + 95 to 71 + 14	19	42.33	8		8.04	0.13		WHITE TOPPING BEGINGS AT STA. 71+14
71 + 14 to 73 + 31								OMISSION AT WHITE TOPPING
73 + 31 to 89 + 65	1634	36	549		588.24	9.80		
89 + 65 to 92 + 17	252	24.5	58		61.74	1.03		CONCRETE PAVEMENT IN LT LANE
92 + 17 to 104 + 49	1232	36	414		443.52	7.39		BEGIN PAVEMENT WIDTH TAPER (STA. 104+49 LT.)
104 + 49 to 104 + 66	17	VAR.	6		6.27	0.10		BEGIN PAVEMENT WIDTH TAPER (STA. 104+66 RT.)
104 + 66 to 106 + 64	198	VAR.	91		97.02	1.62		
106 + 64 to 127 + 30	2066	62	1196		1280.92	21.35		MEDIAN BEGINS AT 127+30=21+54.74
110 + 88 to 113 + 92		VAR.	31		32.76	0.55		RT. TURN LANE AT SPRINGFIELD AVE.
21 + 54.74 to 26 + 20.39	465.65	VAR.	235		251.74	4.20		MEDIAN ENDS AT 26+20.39
26 + 20.39 to 27 + 19.97	99.58	66	61		65.72	1.10		MEDIAN BEGINS STA. 27+19.97
27 + 19.97 to 32 + 29.36	509.45	VAR.	265		283.45	4.72		MEDIAN ENDS STA. 32+29.36
28 + 64 to 32 + 29.36	365.36	18		731			731	
TOTALS			4857	731	5204	87	731	

DETECTOR LOOPS

LOCATION	DETECTOR LOOPS, TYPE 1		REMARKS
	5x5 ADVANCED LOOPS	6x20 DETECTOR LOOPS	
	(FOOT)		
IL 146 / SPRINGFIELD AVE.	EASTBOUND LANES	156	
	WESTBOUND LANES	160.40	
IL 146 / US 51	EASTBOUND LANES	129.5	EXISTING 6X6 LOOPS REPLACED WITH 6X20 LOOPS.
	WESTBOUND LANES	121.5	EXISTING 6X6 LOOPS REPLACED WITH 6X20 LOOPS.
TOTAL		877	

* FINAL LOCATION OF DETECTOR LOOPS TO BE DETERMINED BY ENGINEER OF TRAFFIC OPERATIONS

THERMOPLASTIC PAVEMENT MARKING SCHEDULE

LOCATION STATION TO STATION		LENGTH (FT)	THERMOPLASTIC PAVEMENT MARKING													REMARKS						
			LINE - 4"																			
			LEFT OF CENTERLINE					C. L.	RIGHT OF CENTERLINE					YELLOW PARKING LANE STRIPE (FOOT)	LINE 6" (FOOT)		LINE 12" (FOOT)	LINE 24" (FOOT)	LETTERS & SYMBOLS (SQ FT)			
			EDGE LINE WHITE SOLID (FOOT)	WHITE DASHED (FOOT)	WHITE SOLID (FOOT)	YELLOW SOLID (FOOT)	YELLOW DASHED (FOOT)	YELLOW (FOOT)	YELLOW DASHED (FOOT)	YELLOW SOLID (FOOT)	WHITE SOLID (FOOT)	WHITE DASHED (FOOT)	EDGE LINE WHITE SOLID (FOOT)									
IL 146																						
1+63	to 3+26	163	163		163																	
3+26	to 6+92	366	366			92		41												DASHED C. L.		
6+92	to 12+35	543	543		136					543												
12+35	to 20+10	775	775		775					775												
20+10	to 21+01	91	91		91					91										RT. LANE TAPER		
21+01	to 22+59	158	158		158					158	158											
22+59	to 40+95	1836	1836		459					1836	1836											
40+95	to 42+50	155	155		155					155												
42+50	to 43+24	74	74		74					74												
43+24	to 48+59	535	535																			
48+59	to 58+15	956	956		239			239		956										OMISSION AT HIGH SCHOOL		
49+01																				8.8	LT. TURN ARROW	
49+20																				8.8	LT. TURN ARROW	
51+51																				8.8	LT. TURN ARROW	
51+69																				8.8	LT. TURN ARROW	
54+11																				8.8	LT. TURN ARROW	
54+32																				8.8	LT. TURN ARROW	
54+63													32.5									CROSSWALK STRIPE
54+68													32.5									CROSSWALK STRIPE
55+22													32									CROSSWALK STRIPE
55+26													32									CROSSWALK STRIPE
55+52																				8.8	LT. TURN ARROW	
55+70																				8.8	LT. TURN ARROW	
58+15	to 58+53	38			76																	DOUBLE SOLID
58+53	to 59+29	76			152					76												DOUBLE SOLID LEFT OF C. L.
59+29																						STOP BAR
59+34													32									CROSSWALK STRIPE
59+38													32									CROSSWALK STRIPE
JEFFERSON ST.																						JEFFERSON ST.
59+92													43									CROSSWALK STRIPE
59+97													43									CROSSWALK STRIPE
60+03																						STOP BAR
60+03																						STOP BAR
60+03	to 60+71	68		68						136												DOUBLE SOLID RIGHT OF C. L.
60+71	to 62+19	148			296					296												HATCHED AREA / DOUBLE SOLID LT. AND RT. OF C. L.
62+19	to 68+19	600						150														DASHED C. L.
61+81	RT.												9									PARKING LANE STRIPE
62+00	RT.												9									PARKING LANE STRIPE
62+19	RT.												9									PARKING LANE STRIPE
62+37	RT.												9									PARKING LANE STRIPE
62+64	RT.												9									PARKING LANE STRIPE
62+69	LT.												9									PARKING LANE STRIPE
62+85	RT.												9									PARKING LANE STRIPE
62+93	LT.												9									PARKING LANE STRIPE
63+04	RT.												9									PARKING LANE STRIPE
63+15	LT.												9									PARKING LANE STRIPE
63+24	RT.												9									PARKING LANE STRIPE
63+38	LT.												9									PARKING LANE STRIPE
63+46	RT.												9									PARKING LANE STRIPE
63+58	LT.												9									PARKING LANE STRIPE
63+67	RT.												9									PARKING LANE STRIPE
63+82	LT.												9									PARKING LANE STRIPE
63+89	RT.												9									PARKING LANE STRIPE
64+05	LT.												9									PARKING LANE STRIPE
64+11	RT.												9									PARKING LANE STRIPE
64+28	LT.												9									PARKING LANE STRIPE
64+35	RT.												9									PARKING LANE STRIPE
64+48	LT.												9									PARKING LANE STRIPE
64+56	RT.												9									PARKING LANE STRIPE
64+69	LT.												9									PARKING LANE STRIPE
64+76	RT.												9									PARKING LANE STRIPE

THERMOPLASTIC PAVEMENT MARKING SCHEDULE (CONT.)

LOCATION STATION TO STATION	LENGTH (FT)	THERMOPLASTIC PAVEMENT MARKING													REMARKS				
		LINE - 4"																	
		LEFT OF CENTERLINE					C. L.	RIGHT OF CENTERLINE					LINE 6" (FOOT)	LINE 12" (FOOT)		LINE 24" (FOOT)	LETTERS & SYMBOLS (SQ FT)		
		EDGE LINE WHITE SOLID (FOOT)	WHITE DASHED (FOOT)	WHITE SOLID (FOOT)	YELLOW SOLID (FOOT)	YELLOW DASHED (FOOT)	YELLOW (FOOT)	YELLOW DASHED (FOOT)	YELLOW SOLID (FOOT)	WHITE SOLID (FOOT)	WHITE DASHED (FOOT)	EDGE LINE WHITE SOLID (FOOT)	YELLOW PARKING LANE STRIPE (FOOT)						
IL 146																		8.8	LEFT TURN ARROW
74+90																		8.8	LEFT TURN ARROW
77+02																		8.8	LEFT TURN ARROW
77+44																		8.8	LEFT TURN ARROW
79+60																		8.8	LEFT TURN ARROW
80+00																		8.8	LEFT TURN ARROW
82+12																		8.8	LEFT TURN ARROW
82+54																		8.8	LEFT TURN ARROW
84+60																		8.8	LEFT TURN ARROW
85+00																		8.8	LEFT TURN ARROW
85 + 55 to 85 + 85	30				30	8													
85 + 85 to 86 + 59	74				148														
86 + 59 to 87 + 59	100				200					100									DOUBLE SOLID LEFT OF C. L.
86+65																		11.8	ONLY
87+11																		8.8	LEFT TURN ARROW
MCKINLEY ST.																			MCKINLEY ST.
88 + 35 to 88 + 76	41				41	10				10	41								
MARKET ST.																			MARKET ST.
89 + 55 to 90 + 50	95				95					190									DOUBLE SOLID RT. OF C. L.
89+91																		8.8	LEFT TURN ARROW
90+28																		11.8	ONLY
90 + 50 to 91 + 18	68									136									DOUBLE SOLID RT. OF C. L.
91 + 18 to 91 + 60	42									11	42								
91 + 60 to 94 + 56	296				296	74				74	296								
91+78																		8.8	LEFT TURN ARROW
92+19																		8.8	LEFT TURN ARROW
93+72																		8.8	LEFT TURN ARROW
94+13																		8.8	LEFT TURN ARROW
94 + 83 to 95 + 37	54				54	14				14	54								
95 + 82 to 97 + 96	214				214	54				54	214								
96+43																		8.8	LEFT TURN ARROW
96+83																		8.8	LEFT TURN ARROW
98+54																		8.8	LEFT TURN ARROW
98+94																		8.8	LEFT TURN ARROW
98 + 48 to 99 + 03	55				55	14				14	55								
99 + 54 to 103 + 00	346				346	87				87	346								
100+58																		8.8	LEFT TURN ARROW
100+98																		8.8	LEFT TURN ARROW
103 + 46 to 106 + 14	268				268	67				67	268								
104+15																		8.8	LEFT TURN ARROW
105+70																		8.8	LEFT TURN ARROW
105+91																		8.8	LEFT TURN ARROW
106 + 14 to 107 + 25	111		28		111	28				28	111								
107+19																		8.8	LEFT TURN ARROW
107 + 25 to 110 + 60	335		84		335	84				84	335								
107+40																		8.8	LEFT TURN ARROW
108+06																		8.8	LEFT TURN ARROW
110+09																		8.8	LEFT TURN ARROW
110+31																		8.8	LEFT TURN ARROW
110 + 60 to 112 + 66	206		52		412					412	52								DOUBLE SOLID LT. & RT. OF C. L. (TAPER FOR LEFT TURN LANE)
112+58 RT.																		11.8	ONLY
112 + 66 to 112 + 77	11		3		22					11	3								DOUBLE SOLID LEFT OF C. L.
112 + 77 to 113 + 89	112		28		224					224	28								TWO SEPARATE SOLID WHITE LINES RT. OF C. L.
112+86																		11.8	ONLY
112+86 RT.																		8.8	RIGHT TURN ARROW
113+13																		8.8	LEFT TURN ARROW
113+89																37			STOP BAR
SPRINGFIELD AVE.																			SPRINGFIELD AVE.
114+32																			STOP BAR
114 + 32 to 114 + 57	25		6	25						50	25	6							DOUBLE SOLID YELLOW RT. OF C. L.
114 + 57 to 115 + 45	88		22	88						176	22								DOUBLE SOLID YELLOW RT. OF C. L.

STA.	EAST BOUND LANES								CENTER LANE								WEST BOUND LANES							
	PATCH SIZE	SQ YD	TYPE	CLASS C PATCHES, TYPE I 11 INCH	CLASS C PATCHES, TYPE II 11 INCH	CLASS C PATCHES, TYPE III 11 INCH	CLASS C PATCHES, TYPE IV 11 INCH	PATCH SIZE	SQ YD	TYPE	CLASS C PATCHES, TYPE I 11 INCH	CLASS C PATCHES, TYPE II 11 INCH	CLASS C PATCHES, TYPE III 11 INCH	CLASS C PATCHES, TYPE IV 11 INCH	PATCH SIZE	SQ YD	TYPE	CLASS C PATCHES, TYPE I 11 INCH	CLASS C PATCHES, TYPE II 11 INCH	CLASS C PATCHES, TYPE III 11 INCH	CLASS C PATCHES, TYPE IV 11 INCH			
				SQ YD	SQ YD	SQ YD	SQ YD				SQ YD	SQ YD	SQ YD	SQ YD				SQ YD	SQ YD	SQ YD	SQ YD	SQ YD	SQ YD	SQ YD
0+00				0 to 5	5 to 15	15 to 25	25 up				0 to 5	5 to 15	15 to 25	25 up				0 to 5	5 to 15	15 to 25	25 up			
	6 X 12	8.00	II		8.00										6 X 12	8.00	II		8.00					
	6 X 12	8.00	II		8.00										6 X 12	8.00	II		8.00					
	6 X 12	8.00	II		8.00										6 X 12	8.00	II		8.00					
	6 X 12	8.00	II		8.00										60 X 6	40.00	IV				40.00			
	6 X 12	8.00	II		8.00										8 X 6	5.33	II		5.33					
5+00															6 X 12	8.00	II		8.00					
	8 X 12	10.67	II		10.67										6 X 12	8.00	II		8.00					
	14 X 12	18.67	III			18.67									8 X 12	10.67	II		10.67					
	6 X 12	8.00	II		8.00										6 X 12	8.00	II		8.00					
	11 X 12	14.67	II		14.67										6 X 12	8.00	II		8.00					
	6 X 12	8.00	II		8.00										6 X 12	8.00	II		8.00					
	30 X 6	20.00	III			20.00									6 X 12	8.00	II		8.00					
	12 X 12	16.00	III			16.00									12 X 12	16.00	III			16.00				
	6 X 12	8.00	II		8.00										6 X 12	8.00	II		8.00					
	6 X 12	8.00	II		8.00										6 X 12	8.00	II		8.00					
	6 X 12	8.00	II		8.00										6 X 12	8.00	II		8.00					
10+00				4.00											6 X 12	8.00	II		8.00					
	6 X 6	4.00	I												6 X 12	8.00	II		8.00					
	8 X 12	10.67	II		10.67										8 X 12	10.67	II		10.67					
	6 X 12	8.00	II		8.00										6 X 12	8.00	II		8.00					
	6 X 12	8.00	II		8.00										6 X 12	8.00	II		8.00					
	7 X 12	9.33	II		9.33										6 X 12	8.00	II		8.00					
	8 X 12	10.67	II		10.67										8 X 12	10.67	II		10.67					
	6 X 12	8.00	II		8.00										6 X 12	8.00	II		8.00					
	6 X 12	8.00	II		8.00										6 X 12	8.00	II		8.00					
15+00															6 X 12	8.00	II		8.00					
	6 X 12	8.00	II		8.00										6 X 12	8.00	II		8.00					
20+00															60 X 12	80.00	IV				80.00			
															6 X 12	8.00	II		8.00					
															6 X 12	8.00	II		8.00					
															20 X 12	26.67	IV				26.67			
															20 X 12	26.67	IV				26.67			
															18 X 12	24.00	III			24.00				
								6 X 12	8.00	II		8.00			8 X 12	10.67	II		10.67					
								6 X 12	8.00	II		8.00			6 X 12	8.00	II		8.00					
								6 X 12	8.00	II		8.00			6 X 12	8.00	II		8.00					
25+00	6 X 12	8.00	II		8.00										6 X 12	8.00	II		8.00					
															6 X 12	8.00	II		8.00					
															6 X 12	8.00	II		8.00					
															6 X 12	8.00	II		8.00					
															6 X 12	8.00	II		8.00					
															8 X 12	10.67	II		10.67					
															6 X 12	8.00	II		8.00					
															6 X 12	8.00	II		8.00					
															14 X 6	9.33	II		9.33					
															12 X 12	16.00	III			16.00				
															60 X 12	80.00	IV				80.00			
30+00															12 X 12	16.00	III			16.00				
															15 X 12	20.00	III			20.00				
															12 X 12	16.00	III			16.00				
35+00															6 X 12	8.00	II		8.00					
															6 X 12	8.00	II		8.00					
															6 X 12	8.00	II		8.00					
															12 X 6	8.00	II		8.00					
															20 X 12	26.67	IV				26.67			
40+00															8 X 12	10.67	II		10.67					
															6 X 12	8.00	II		8.00					
															8 X 12	10.67	II		10.67					
															6 X 12	8.00	II		8.00					
45+00								6 X 12	8.00	II		8.00			10 X 12	13.33	II		13.33					

* QUANTITIES SHOWN IN THE PLANS FOR PATCHING ARE ESTIMATES. THE ACTUAL AMOUNT OF PATCHING REQUIRED SHALL BE DETERMINED BY THE ENGINEER.

FILE NAME =	USER NAME = neesdp	DESIGNED -	REVISED -	STATE OF ILLINOIS DEPARTMENT OF TRANSPORTATION	SCHEDULES - PATCHING	F.A. RTE.	SECTION	COUNTY	TOTAL SHEETS	SHEET NO.	
c:\pw\work\pw\dot\neesdp\dms43722\978672_sht.sch.dgn		DRAWN -	REVISED -			885	104RS-5, 13RS-1, 106RS-4	UNION	24	16	
PLOT SCALE = 41.9953 / IN.		CHECKED -	REVISED -			CONTRACT NO. 78072					
PLOT DATE = 1/21/2009		DATE -	REVISED -			SCALE:	SHEET NO.	OF	SHEETS	STA.	TO STA.

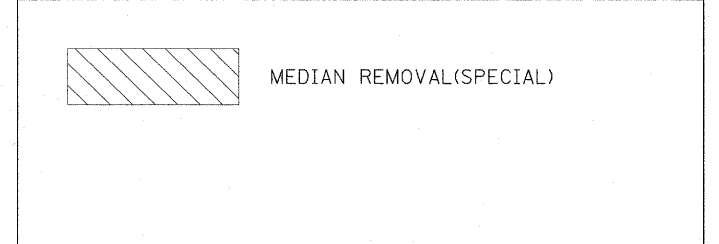
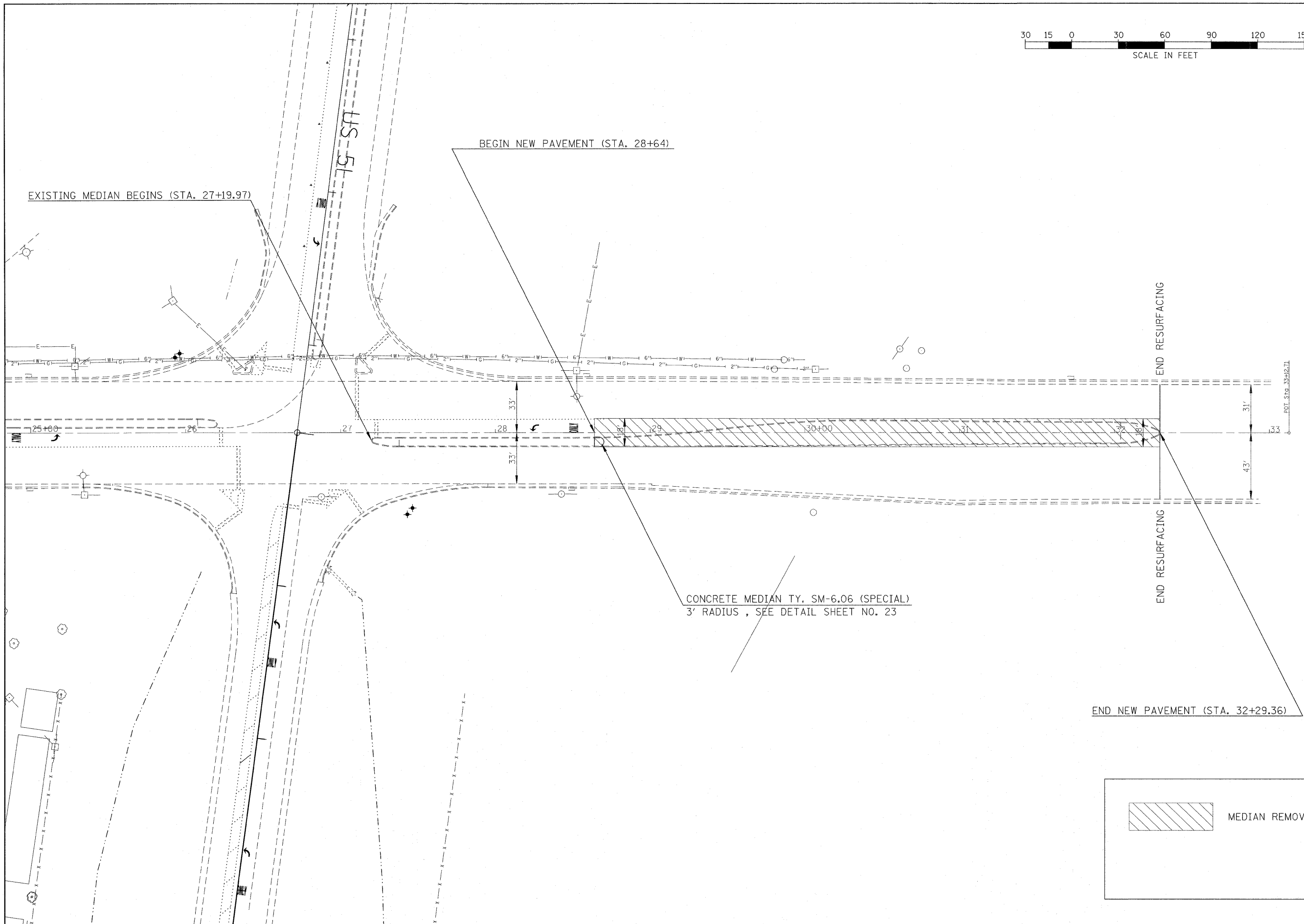
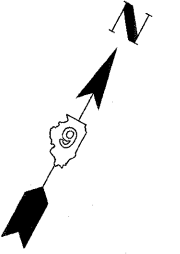
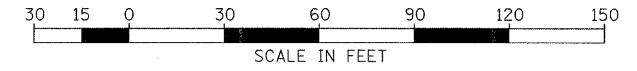
STA.	PATCH SIZE	RIGHT TURN LANE				EAST BOUND DRIVING LANE				EAST BOUND PASSING LANE											
		SQ YD	TYPE	CLASS C PATCHES, TYPE I	CLASS C PATCHES, TYPE II	CLASS C PATCHES, TYPE III	CLASS C PATCHES, TYPE IV	SQ YD	TYPE	CLASS C PATCHES, TYPE I	CLASS C PATCHES, TYPE II	CLASS C PATCHES, TYPE III	CLASS C PATCHES, TYPE IV	SQ YD	TYPE	CLASS C PATCHES, TYPE I	CLASS C PATCHES, TYPE II	CLASS C PATCHES, TYPE III	CLASS C PATCHES, TYPE IV		
				11 INCH	11 INCH	11 INCH	11 INCH			11 INCH	11 INCH	11 INCH	11 INCH			11 INCH	11 INCH				
				0 to 5	5 to 15	15 to 25	25 up														
107+00																					
110+00	8 X 6	5.33	II		5.33			12 X 6	8.00	II		8.00			12 X 6	8.00	II		8.00		
115+00															12 X 6	8.00	II		8.00		
120+00								12 X 6	8.00	II		8.00			12 X 6	8.00	II		8.00		
125+00															12 X 6	8.00	II		8.00		
130+00															12 X 6	8.00	II		8.00		
135+00																					
*TOTALS FOR 107+00 TO 135+00				0.00	5.33	0.00	0.00				0.00	16.00	0.00	0.00				0.00	32.00	0.00	0.00

* EAST BOUND LANES ONLY

STA.	PATCH SIZE	LEFT TURN LANE				WEST BOUND PASSING LANE				WEST BOUND DRIVING LANE											
		SQ YD	TYPE	CLASS C PATCHES, TYPE I	CLASS C PATCHES, TYPE II	CLASS C PATCHES, TYPE III	CLASS C PATCHES, TYPE IV	SQ YD	TYPE	CLASS C PATCHES, TYPE I	CLASS C PATCHES, TYPE II	CLASS C PATCHES, TYPE III	CLASS C PATCHES, TYPE IV	SQ YD	TYPE	CLASS C PATCHES, TYPE I	CLASS C PATCHES, TYPE II	CLASS C PATCHES, TYPE III	CLASS C PATCHES, TYPE IV		
				11 INCH	11 INCH	11 INCH	11 INCH			11 INCH	11 INCH	11 INCH	11 INCH			11 INCH	11 INCH				
				0 to 5	5 to 15	15 to 25	25 up														
107+00								12 X 6	8.00	II		8.00									
110+00								12 X 6	8.00	II		8.00									
	10 X 6	6.67	II		6.67			12 X 6	8.00	II		8.00			12 X 6	8.00	II		8.00		
	12 X 6	8.00	II		8.00																
	12 X 6	8.00	II		8.00																
115+00								12 X 6	8.00	II		8.00									
120+00	12 X 6	8.00	II		8.00			12 X 6	8.00	II		8.00			12 X 6	8.00	II		8.00		
125+00																					
130+00	10 X 6	6.67	II		6.67																
	12 X 6	8.00	II		8.00																
	12 X 6	8.00	II		8.00			# X 12	40.00	IV			40.00		12 X 6	8.00	II		8.00		
								12 X 6	8.00	II		8.00									
	10 X 10	11.11	II		11.11																
	12 X 6	8.00	II		8.00																
135+00	12 X 6	8.00	II		8.00																
	12 X 6	8.00	II		8.00																
	6 X 6	4.00	I	4.00																	
*TOTALS FOR 107+00 TO 135+00				4.00	96.44	0.00	0.00				0.00	48.00	0.00	40.00				0.00	24.00	0.00	0.00

* WEST BOUND LANES ONLY

* QUANTITIES SHOWN IN THE PLANS FOR PATCHING ARE ESTIMATES. THE ACTUAL AMOUNT OF PATCHING REQUIRED SHALL BE DETERMINED BY THE ENGINEER.



FILE NAME =	USER NAME = nassdp	DESIGNED -	REVISED -
c:\pw_work\pwidot\dnassdp\dms43722\d978872_sht.pln.dgn		DRAWN -	REVISED -
		CHECKED -	REVISED -
		DATE -	REVISED -

**STATE OF ILLINOIS
DEPARTMENT OF TRANSPORTATION**

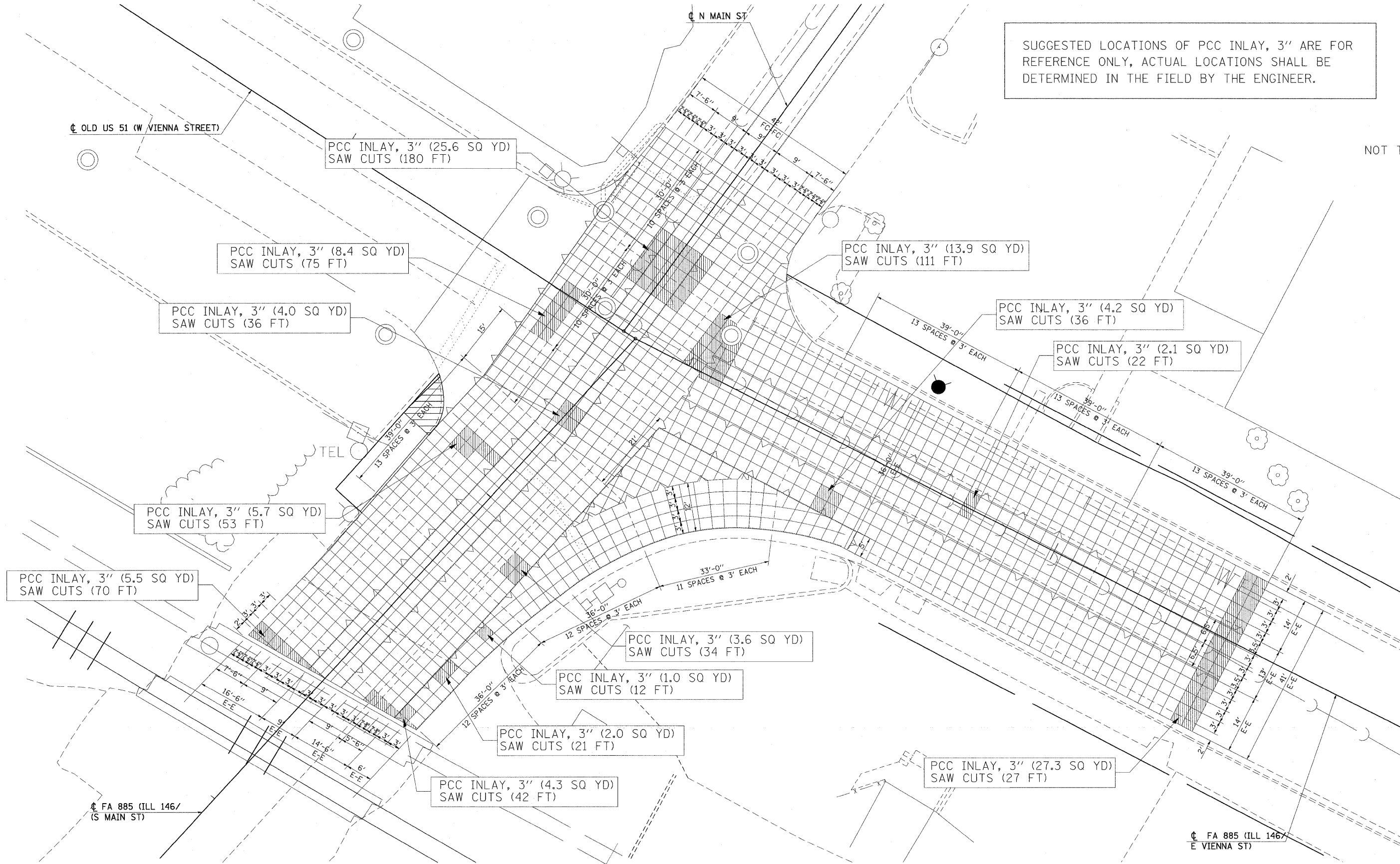
PLAN SHEET IL 146 (EAST OF US 51)			
SCALE:	SHEET NO.	OF SHEETS	STA. TO STA.

F.A. RTE.	SECTION	COUNTY	TOTAL SHEETS	SHEET NO.
885	104RS-5, 13RS-1, 106RS-4	UNION	24	19
FED. ROAD DIST. NO.		ILLINOIS FED. AID PROJECT		
CONTRACT NO. 78072				



NOT TO SCALE

SUGGESTED LOCATIONS OF PCC INLAY, 3" ARE FOR REFERENCE ONLY, ACTUAL LOCATIONS SHALL BE DETERMINED IN THE FIELD BY THE ENGINEER.



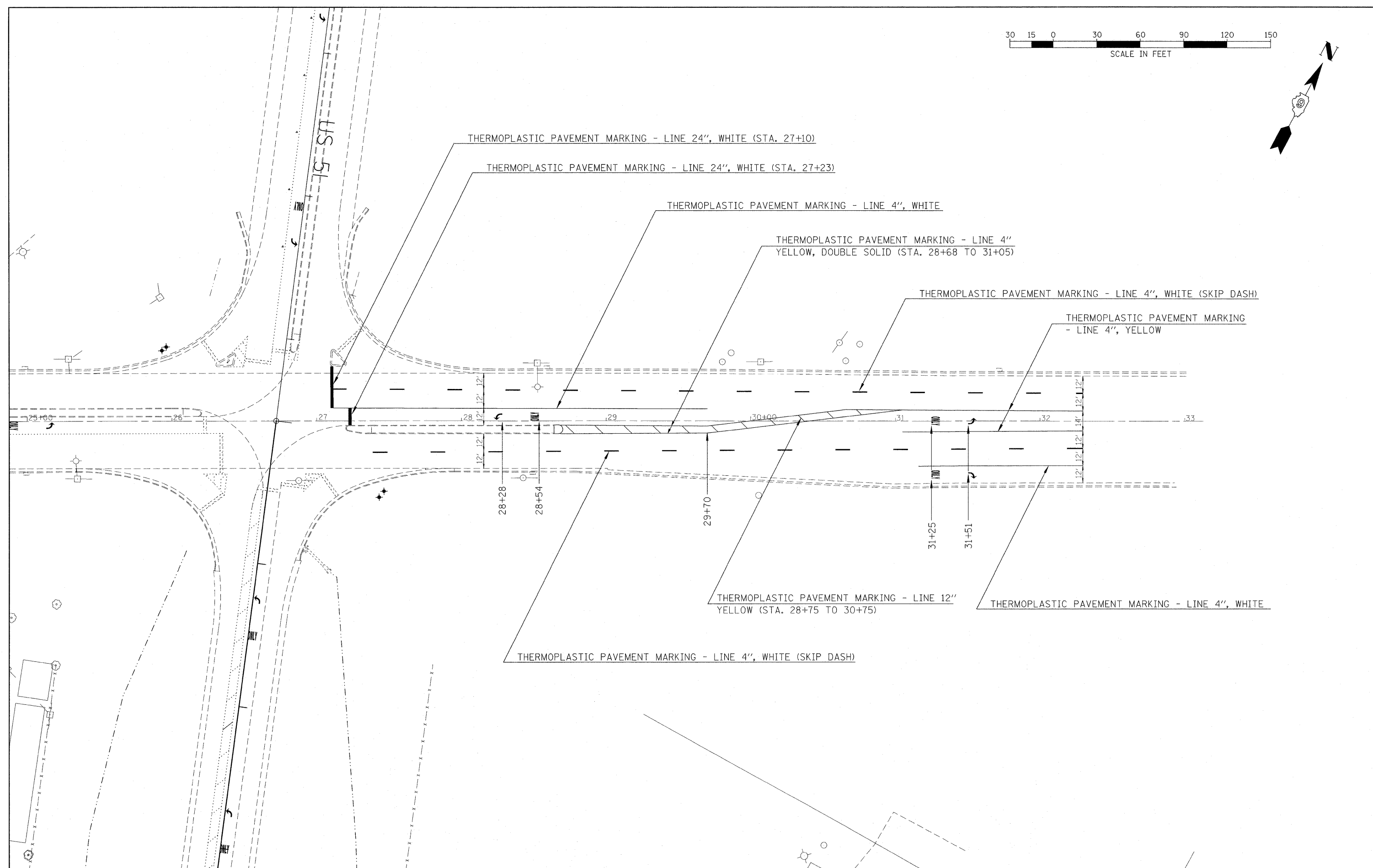
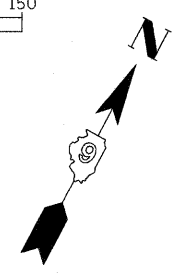
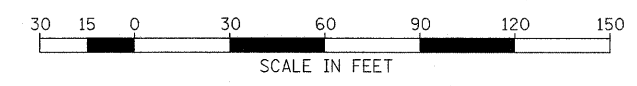
FILE NAME =	USER NAME = neesdp	DESIGNED -	REVISED -
c:\pwork\pwork\neesdp\dms43722\d9788722.sht.pln.dgn		DRAWN -	REVISED -
		CHECKED -	REVISED -
		DATE -	REVISED -

STATE OF ILLINOIS
DEPARTMENT OF TRANSPORTATION

PCC INLAY REFERENCE SHEET

SCALE: SHEET NO. OF SHEETS STA. TO STA.

F.A. RTE.	SECTION	COUNTY	TOTAL SHEETS	SHEET NO.
885	104RS-5, 13RS-1, 106RS-4	UNION	24	20
FED. ROAD DIST. NO.		ILLINOIS FED. AID PROJECT		
CONTRACT NO. 78072				



FILE NAME =	USER NAME = neesdp	DESIGNED -	REVISED -
ct:\pwork\pwork\neesdp\dms43722\d978872.sht.pln.vdgn		DRAWN -	REVISED -
		CHECKED -	REVISED -
		DATE -	REVISED -

**STATE OF ILLINOIS
DEPARTMENT OF TRANSPORTATION**

**PAVEMENT MARKING DETAIL SHEET IL 146
(EAST OF US 51)**

SCALE: SHEET NO. OF SHEETS STA. TO STA.

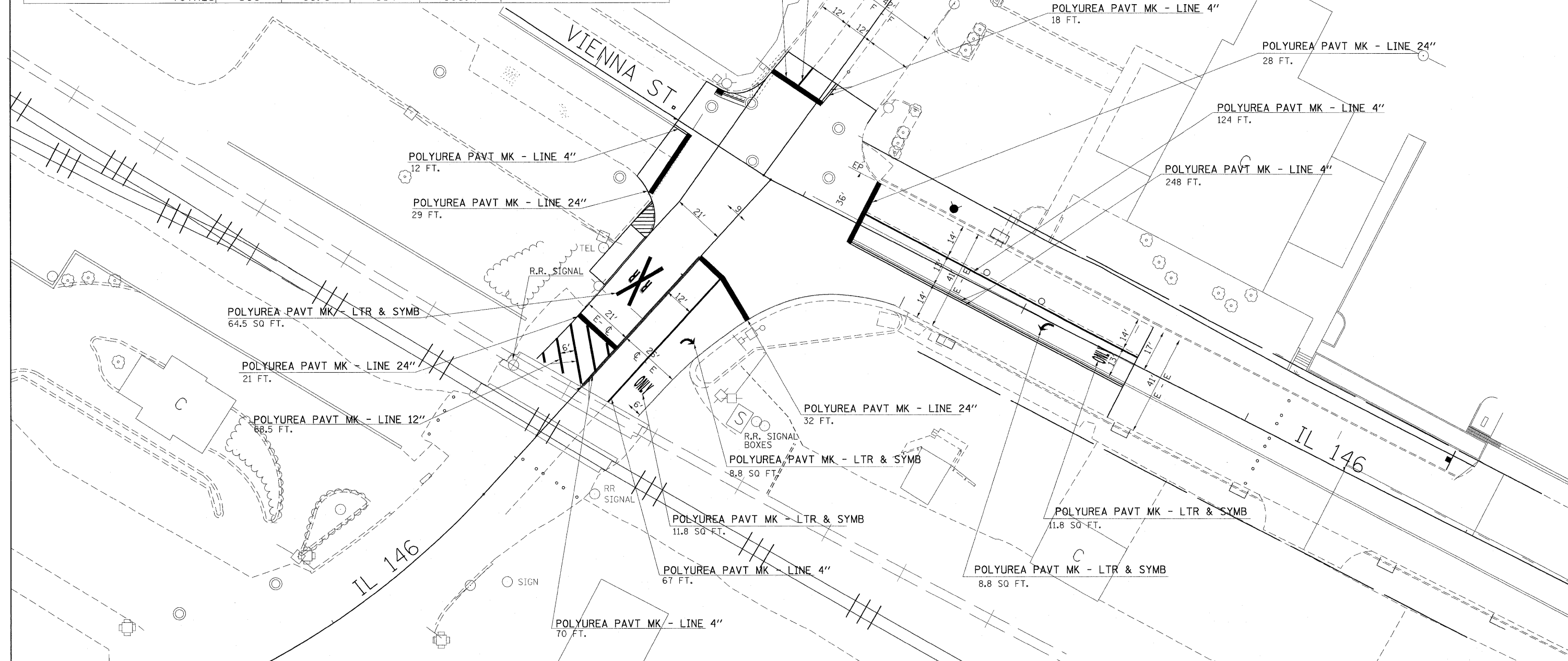
F.A. RTE.	SECTION	COUNTY	TOTAL SHEETS	SHEET NO.
885	104RS-5, 13RS-1, 106RS-4	UNION	24	21
FED. ROAD DIST. NO.		ILLINOIS FED. AID PROJECT		
CONTRACT NO. 78072				

POLYUREA PAVEMENT MARKING SCHEDULE

LOCATION STATION TO STATION	POLYUREA PAVEMENT MARKING				REMARKS
	LINE 4" (FOOT)	LINE 12" (FOOT)	LINE 24" (FOOT)	LETTERS & SYMBOLS (SQ FT)	
INTERSECTION IL					
71 + 14 to 71 + 81	67				
71 + 14 to 71 + 81	140				
71 + 14 to 71 + 34		68.5			RAILROAD HATCHING ONLY
71+26 RT.				11.8	STOP BAR
71+34 LT.			21		RIGHT TURN ARROW
71+49 RT.				8.8	RXR SYMBOL
71+62 LT.				64.5	STOP BAR
71+73 RT.			32		STOP BAR
VIENNA ST.	12		29		
N. MAIN ST.	27		24		
72+07			28		STOP BAR
72 + 07 to 73 + 31	124				
72 + 07 to 73 + 31	148				
72+95				8.8	LEFT TURN ARROW ONLY
73+18				11.8	
TOTALS	518	68.5	134	105.7	

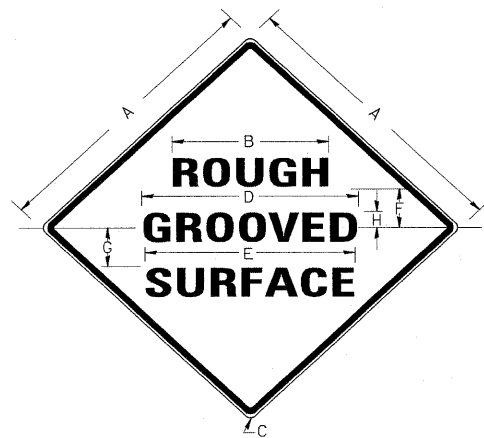


SCALE IN FEET



FILE NAME =	USER NAME = naesdp	DESIGNED -	REVISED -	STATE OF ILLINOIS DEPARTMENT OF TRANSPORTATION	PAVEMENT MARKING DETAIL SHEET IL 146 /VIENNA ST. INTERSECTION	F.A. RTE.	SECTION	COUNTY	TOTAL SHEETS	SHEET NO.	
c:\pwwork\pwsdot\naesdp\dms43722\d978872_sht.pln.dgn		DRAWN -	REVISED -			885	104RS-5, 13RS-1, 106RS-4	UNION	24	22	
PLOT SCALE = 20.0000' / IN.		CHECKED -	REVISED -			CONTRACT NO. 78072					
PLOT DATE = 1/21/2009		DATE -	REVISED -			FED. ROAD DIST. NO.	ILLINOIS FED. AID PROJECT				

ILLINOIS STANDARD
W8-I106



COLORS:
LEGEND AND BORDER BLACK NON-REFLECTORIZED
BACKGROUND ORANGE REFLECTORIZED

SIGN SIZE	DIMENSIONS							
	A	B	C	D	E	F	G	H
1.2 m x 1.2 m (48x48)	1.2 m (48.0)	603 (24.1)	75 (3.0)	850 (34.0)	825 (33.0)	150 (6.0)	325 (13.0)	88 (3.5)

SIGN SIZE	SERIES LINES			MAR-GIN	BOR-DER	BLANK STD.
	1	2	3			
1.2 m x 1.2 m (48x48)	7C	7C	7C	(0.8)	(1.2)	B4-48D

NOTE: PRIOR TO ALLOWING TRAFFIC ON ANY PORTION OF THE ROADWAY THAT HAS BEEN COLDMILLED, THE CONTRACTOR SHALL HAVE ERECTED "ROUGH GROOVED SURFACE" SIGNS THAT CONFORM TO THE ABOVE DETAILS. A MINIMUM OF ONE SIGN AT EACH END OF THE IMPROVEMENT WILL BE REQUIRED. THE CONTRACTOR SHALL MAINTAIN THE "ROUGH GROOVED SURFACE" SIGNS UNTIL THE COLDMILLED SURFACE IS COVERED WITH LEVELING BINDER OR SURFACE COURSE.

IF AT ANY TIME THE SIGNS ARE IN PLACE BUT NOT APPLICABLE, THEY SHALL BE TURNED FROM THE VIEW OF MOTORISTS OR COVERED AS DIRECTED BY THE ENGINEER.

THE COST OF FURNISHING, ERECTING, MAINTAINING, AND REMOVING THE REQUIRED SIGNS SHALL BE INCLUDED IN THE CONTRACT.

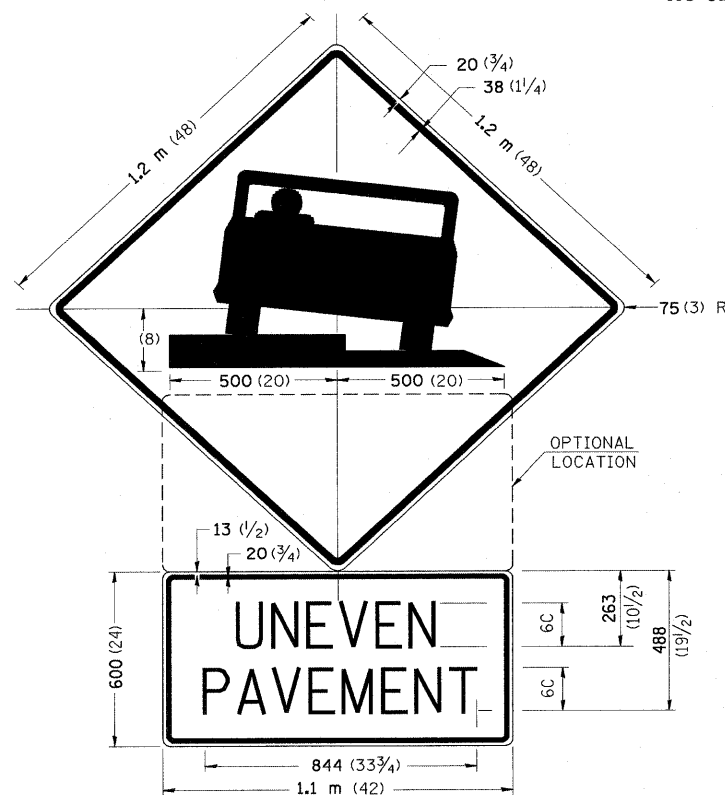
REVISIONS

REDRAWN	2-15-89
REVISED	4-6-93
REVISED	9-22-93
REVISED	3-11-97

STD. 9M-39

ALL DIMENSIONS ARE IN MILLIMETERS (INCHES) UNLESS OTHERWISE NOTED.

UNEVEN PAVEMENT SIGN
W8-9a-(0)-48



COLORS:
LEGEND AND BORDER - BLACK NON-REFLECTORIZED
BACKGROUND - ORANGE REFLECTORIZED

NOTE: PRIOR TO ALLOWING TRAFFIC ON ANY PORTION OF THE ROADWAY THAT HAS BEEN COLDMILLED OR BEFORE RESURFACING OPERATIONS BEGIN, THE CONTRACTOR SHALL HAVE ERECTED "UNEVEN PAVEMENT" SIGNS THAT CONFORM TO THE ABOVE DETAILS. A MINIMUM OF ONE SIGN AT EACH END OF THE IMPROVEMENT WILL BE REQUIRED. THE CONTRACTOR SHALL MAINTAIN THE "UNEVEN PAVEMENT" SIGNS UNTIL THE RESURFACING OPERATIONS ARE COMPLETED.

IF AT ANY TIME THE SIGNS ARE IN PLACE BUT NOT APPLICABLE, THEY SHALL BE TURNED FROM THE VIEW OF MOTORISTS OR COVERED AS DIRECTED BY THE ENGINEER.

THE COST OF FURNISHING, ERECTING, MAINTAINING, AND REMOVING THE REQUIRED SIGNS SHALL BE INCLUDED IN THE CONTRACT.

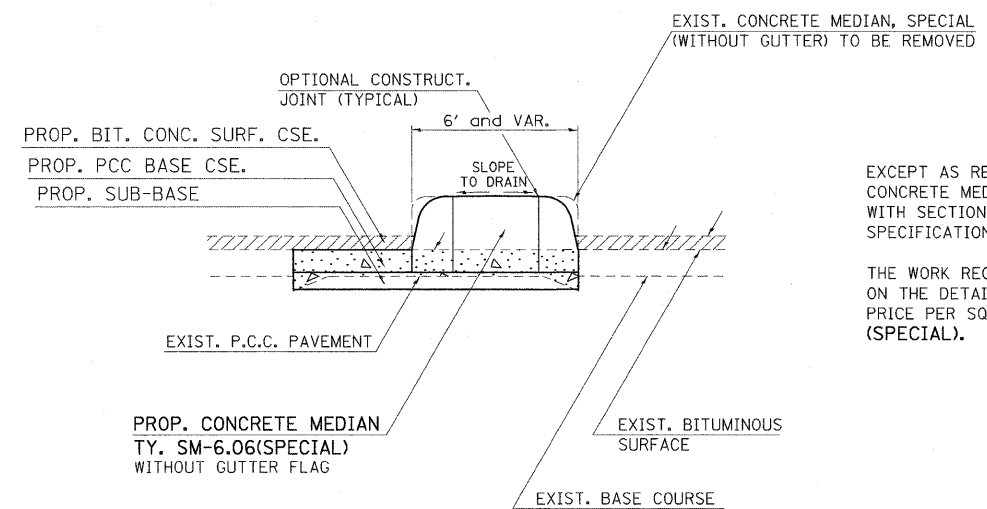
REVISIONS

DRAWN	2-15-89
REVISED	4-6-93
REVISED	9-23-93
REVISED	3-11-97

STD. 9M-41

ALL DIMENSIONS ARE IN MILLIMETERS (INCHES) UNLESS OTHERWISE NOTED.

CONCRETE MEDIAN TY. SM-6.06 (SPECIAL)



GENERAL NOTES

EXCEPT AS REVISED BY THE DETAILS HEREIN, THE PROPOSED CONCRETE MEDIAN SHALL BE CONSTRUCTED IN ACCORDANCE WITH SECTION 606 OF THE STANDARD SPECIFICATIONS,

THE WORK REQUIRED TO RECONSTRUCT THE MEDIAN AS SHOWN ON THE DETAIL SHALL BE PAID FOR AT THE CONTRACT UNIT PRICE PER SQ. FT. FOR CONCRETE MEDIAN TY. SM-6.06 (SPECIAL).

FILE NAME =	USER NAME = naasdp	DESIGNED -	REVISED -
c:\pw\work\pw\dot\naasdp\dms43722\d978722.sht.pln.dgn		DRAWN -	REVISED -
PLOT SCALE = 5.0000 ' / IN.		CHECKED -	REVISED -
PLOT DATE = 1/21/2009		DATE -	REVISED -

STATE OF ILLINOIS
DEPARTMENT OF TRANSPORTATION

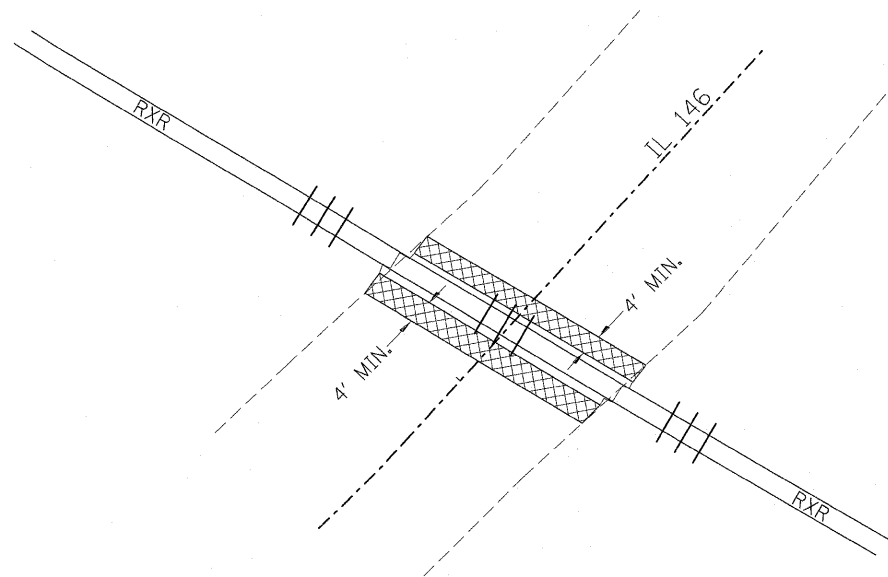
DETAILS

SCALE: SHEET NO. OF SHEETS STA. TO STA.

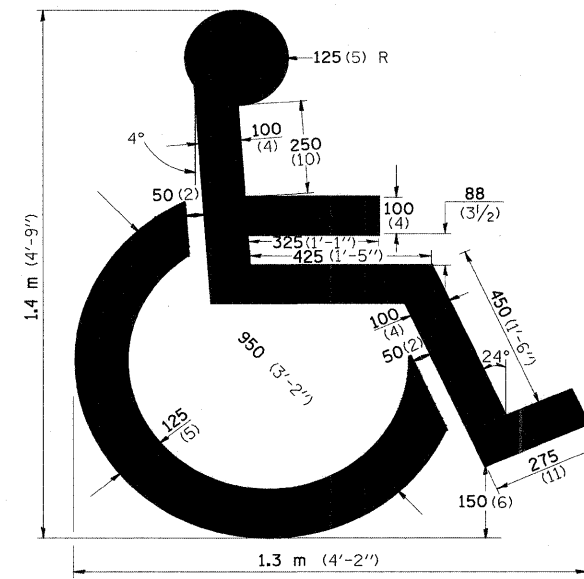
F.A. RTE.	SECTION	COUNTY	TOTAL SHEETS	SHEET NO.
885	104RS-5, 13RS-1, 106RS-4	UNION	24	23
CONTRACT NO. 78072				
FED. ROAD DIST. NO. ILLINOIS FED. AID PROJECT				

PATCHING DETAIL AT RAILROAD CROSSING

A 4' MINIMUM CLASS C PATCH WILL BE REQUIRED NEXT TO THE CONCRETE RAILROAD CROSSING PANELS.



HANDICAPPED PARKING SYMBOL



TO BE USED: STA. 66+27 LT. & 66+40 RT.

REVISIONS

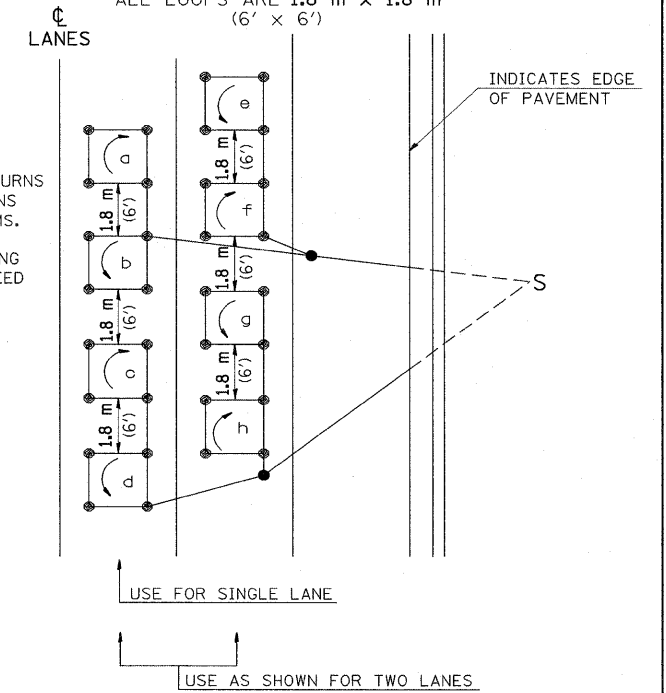
DRAWN	07-13-90
REVISED	10-12-93
REVISED	3-24-97

STD. 9M-80

ALL DIMENSIONS ARE IN MILLIMETERS (INCHES) UNLESS OTHERWISE NOTED.

LOOP LAYOUT

ALL LOOPS ARE 1.8 m x 1.8 m (6' x 6')



NOTES

APPLIES TO 1.8 m x 1.8 m (6' x 6') LOOPS ONLY

1. THE DETECTOR LOOPS SHALL BE TYPE I. EACH DETECTOR LOOP SHALL HAVE 3 TURNS OF LOOP WIRE AND BE INSTALLED IN ACCORDANCE WITH THE APPLICABLE PORTIONS OF SECTION T418 OF THE STANDARD SPECIFICATIONS FOR TRAFFIC CONTROL ITEMS.
2. BEGINNING LEAD WIRES SHALL BE CONNECTED TO THE BLACK LEAD AND THE ENDING LEAD WIRES SHALL BE CONNECTED TO THE WHITE LEAD OF THE TWIN TWISTED FEED CABLES AT THE SPLICE POINT.

LOOP LEGEND

- () CLOCKWISE ROTATION FOR LOOP WIRES
- () COUNTERCLOCKWISE ROTATION FOR LOOP WIRES
- S INDICATES SPLICE POINT FOR DETECTOR LOOP LEAD
- INDICATES 50 (2) CORE-DRILL

DETAIL 1.8 m x 1.8 m (6' x 6') DETECTOR LOOPS

REVISIONS

DRAWN	4-17-92
REVISED	10-20-93
REVISED	3-26-97

STD. 9M-92

ALL DIMENSIONS ARE IN MILLIMETERS (INCHES) UNLESS OTHERWISE NOTED.

FILE NAME =	USER NAME = naasdp	DESIGNED -	REVISED -
c:\pwwork\pwwork\naasdp\dms43722\d978472.sht.pln.dgn		DRAWN -	REVISED -
		CHECKED -	REVISED -
		DATE -	REVISED -

**STATE OF ILLINOIS
DEPARTMENT OF TRANSPORTATION**

DETAILS

SCALE: SHEET NO. OF SHEETS STA. TO STA.

F.A. RTE.	SECTION	COUNTY	TOTAL SHEETS	SHEET NO.
885	104RS-5, 13RS-1, 106RS-4	UNION	24	24
CONTRACT NO. 78072				
FED. ROAD DIST. NO. ILLINOIS FED. AID PROJECT				