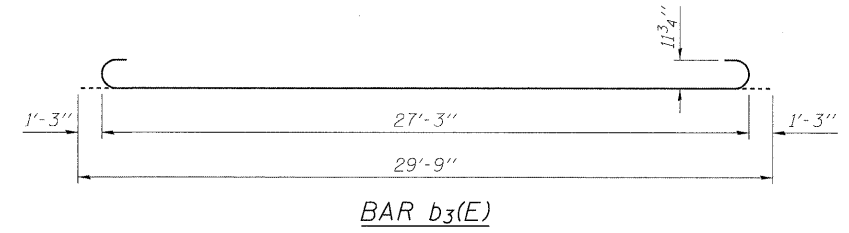
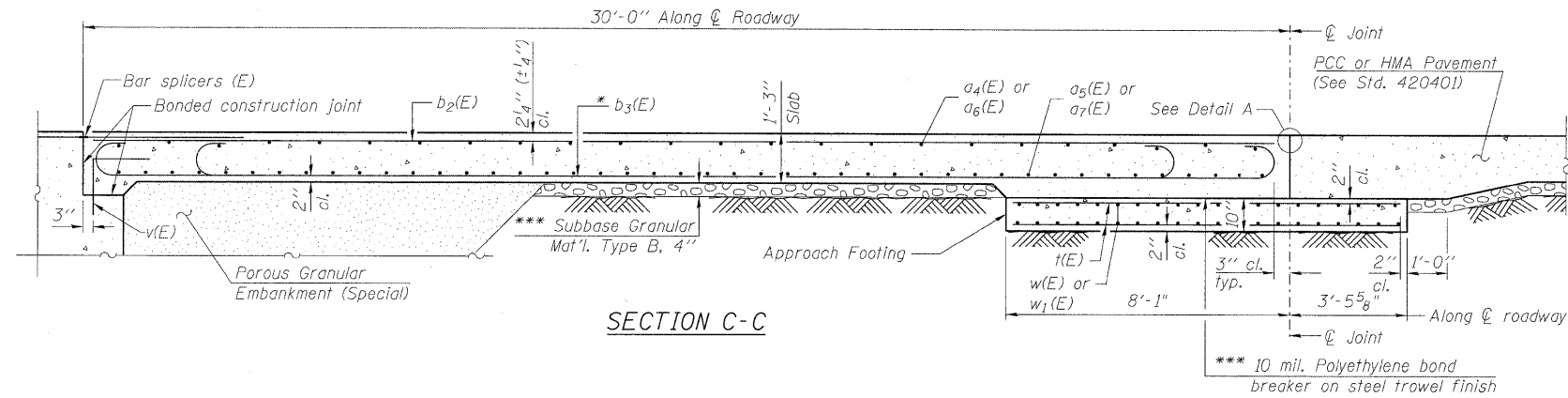
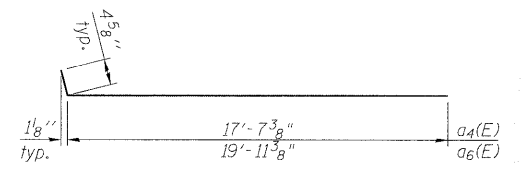
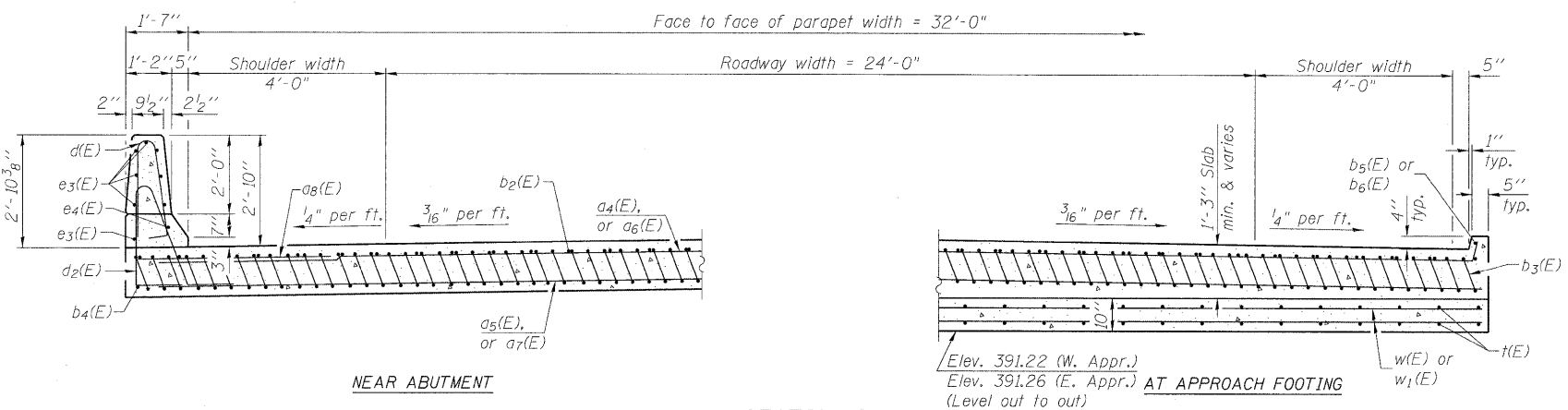


STATE OF ILLINOIS
DEPARTMENT OF TRANSPORTATION

Notes:
See sheet 9 of 17 for Detail A and View B-B.
Approach slab and parapet concrete shall be paid for as Concrete Superstructure.
Approach footing concrete shall be paid for as Concrete Structures.
Reinforcement shall be paid for as Reinforcement Bars, Epoxy Coated.
For v(E) bar details, see sheet 8 of 17.
The approach footing maximum applied service bearing pressure (Qmax) = 2.0 ksf.
For bar splicer details, see sheet 15 of 17.
Cost of excavation for approach footing included with Concrete Structures.
For Porous Granular Embankment (Special) and drainage treatment details, see sheet 2 of 17.

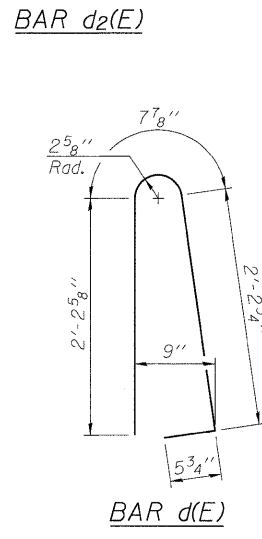
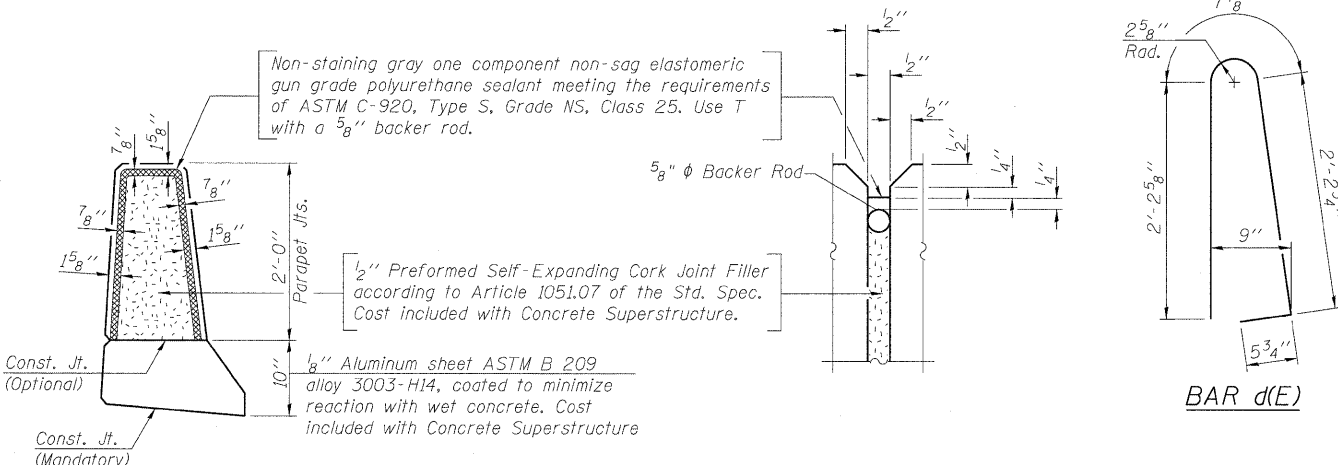
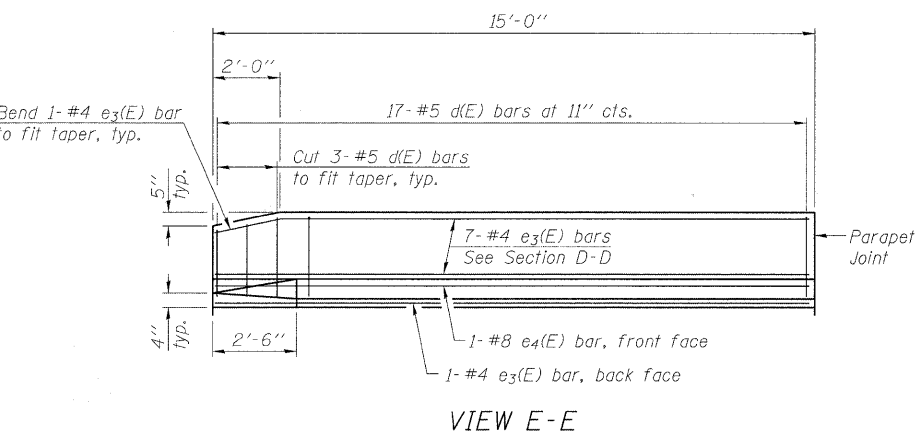


* Tilt #9 b3(E) bars as required to maintain clearance.
*** Cost included with Concrete Superstructure.



TWO APPROACHES
BILL OF MATERIAL

Bar	No.	Size	Length	Shape
a4(E)	50	#4	18'-0"	—
a5(E)	92	#5	18'-0"	—
a6(E)	50	#4	20'-4"	—
a7(E)	92	#5	20'-4"	—
a8(E)	48	#6	6'-0"	—
b2(E)	68	#4	29'-8"	—
b3(E)	158	#9	29'-9"	—
b4(E)	4	#4	14'-8"	—
b5(E)	2	#4	13'-10"	—
b6(E)	2	#4	15'-8"	—
d(E)	68	#5	5'-7"	—
d2(E)	68	#5	7'-11"	—
e3(E)	32	#4	14'-8"	—
e4(E)	4	#8	14'-8"	—
t(E)	144	#4	11'-2"	—
w(E)	80	#5	18'-0"	—
w1(E)	80	#5	20'-4"	—
Concrete Superstructure		Cu. Yd.	67.3	
Concrete Structures		Cu. Yd.	12.1	
Reinforcement Bars, Epoxy Coated		Pound	28500	



BAR d(E)

BRIDGE APPROACH SLAB DETAILS-2
STRUCTURE NO. 097-0073

<p>LIN ENGINEERING, LTD. Consulting Engineers Chatham, Illinois</p>	SHEET NO. 10	F.A.P. RTE. 877	SECTION 101B-1	COUNTY WHITE	TOTAL SHEETS 42	SHEET NO. 25
	17 SHEETS	CONTRACT NO. 78084				
FED. ROAD DIST. NO.		ILLINOIS FED. AID PROJECT				