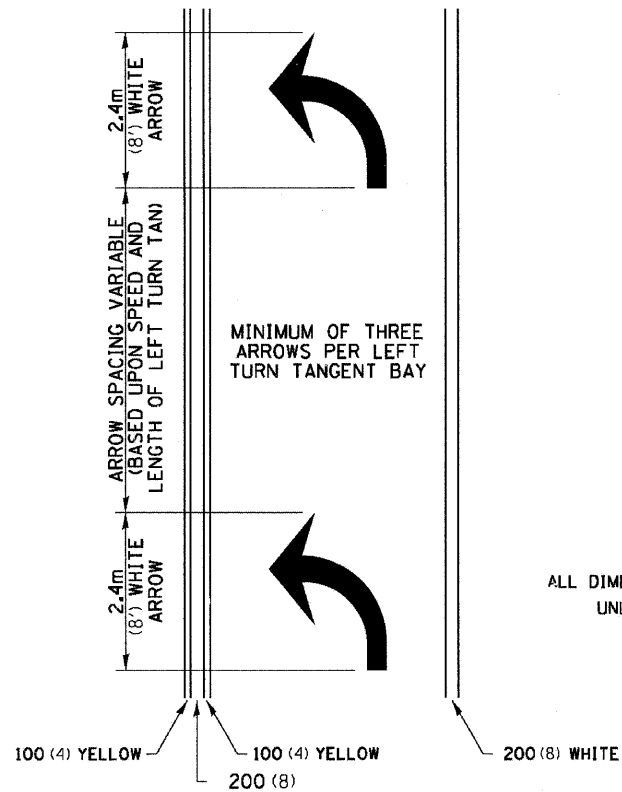


TYPICAL PAVEMENT MARKINGS

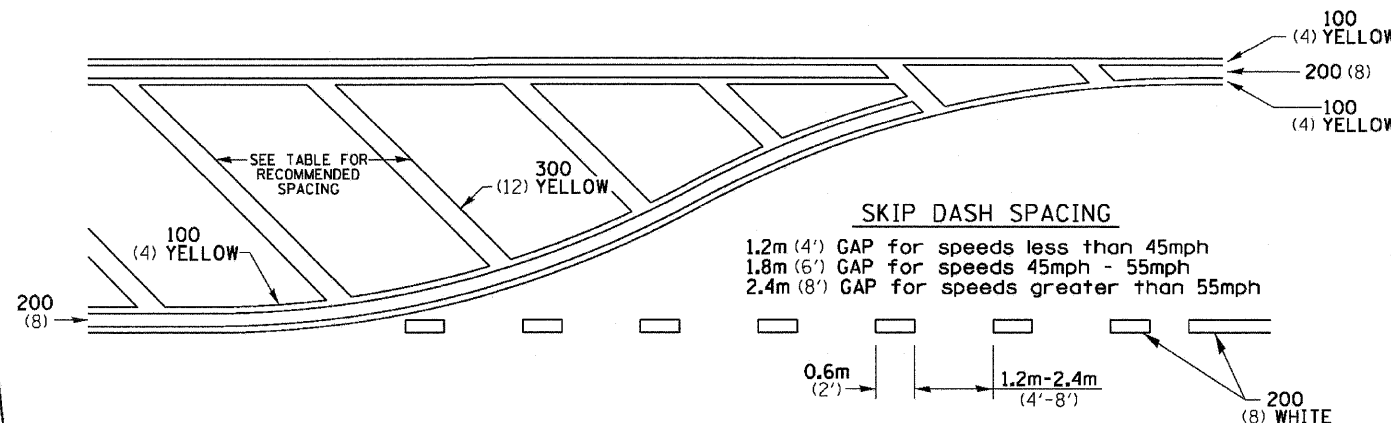
ARROW LAYOUT



- ◀ ONE-WAY AMBER MARKER
- ◁ ONE-WAY CRYSTAL MARKER
- ◆ TWO-WAY AMBER MARKER

ALL DIMENSIONS ARE IN MILLIMETERS (INCHES) UNLESS OTHERWISE NOTED.

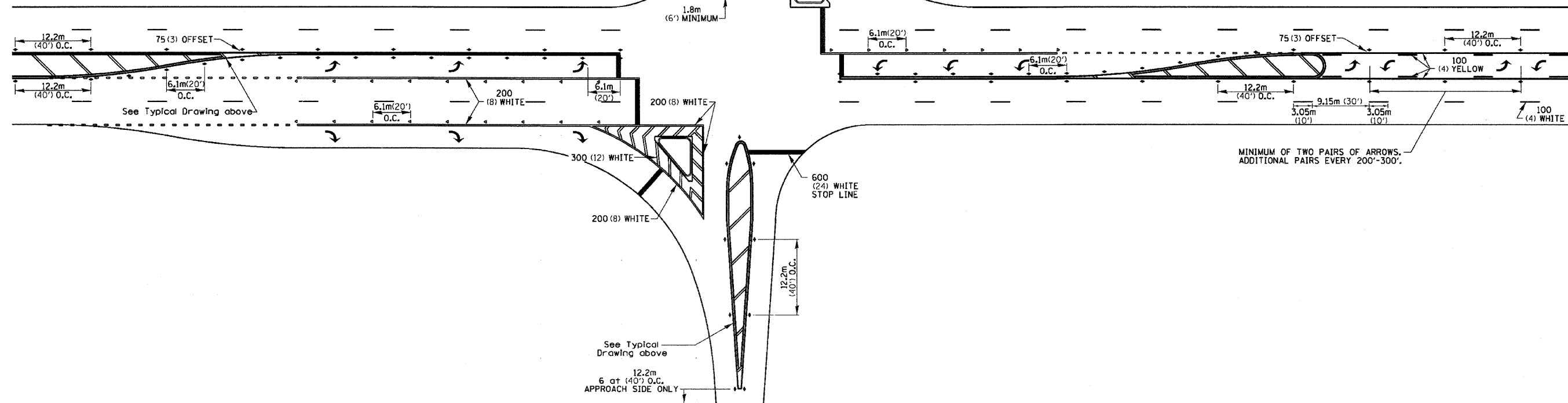
TYPICAL PAVEMENT MARKING FOR FLUSH MEDIAN



RECOMMENDED SPACING BETWEEN DIAGONALS (IN FEET)

Speed Limit Range	Continuous Median Area	Intersection Channelization	Objects (Islands)
less than 50Km/H (30MPH)	15.3m (50')	4.53m (15')	3.05m (10')
50-60Km/H (30-40MPH)	22.9m (75')	6.1m (20')	4.53m (15')
70Km/H (45MPH) & over	22.9m (75')	9.05m (30')	6.1m (20')

NOTE: If the spacing recommended in the Table does not permit at least five diagonal lines in the area being marked, the spacing from the next lowest speed range should be used. The recommended spacing is measured parallel to the pavement center line.



FILE NAME =	USER NAME = #USER#	DESIGNED -	REVISED - 1Q-21-08	STATE OF ILLINOIS DEPARTMENT OF TRANSPORTATION	REGION 2 / DISTRICT 2 STANDARD	F.A. RTE.	SECTION	COUNTY	TOTAL SHEETS	SHEET NO.		
C:\Documents and Settings\meg11\Desktop\ID2standards.cel		DRAWN -	REVISED -			SCALE: _____	SHEET NO. _____ OF _____ SHEETS	STA. _____ TO STA. _____	CONTRACT NO. _____			
PLOT SCALE = 1:8000 / IN.		CHECKED -	REVISED -			FED. ROAD DIST. NO. _____ [ILLINOIS] FED. AID PROJECT						
PLOT DATE = Tue Oct 21 14:36:48 2008		DATE -	REVISED -									

<p>SHEET REVIEW</p> <table border="1"> <tr> <th>AGENCY</th> <th>DATE</th> </tr> <tr> <td> </td> <td> </td> </tr> </table>	AGENCY	DATE			<p>REVISIONS</p> <table border="1"> <tr> <th>NO.</th> <th>ITEM</th> <th>DATE</th> </tr> <tr> <td> </td> <td> </td> <td> </td> </tr> </table>	NO.	ITEM	DATE				<p>SCALE: NA</p> <p>DRAWN BY: TH</p> <p>CHECKED BY: PDS</p> <p>DATE: 8/28/2009</p>	<p>McClure Engineering Associates, Inc.</p> <p>7282 Argus Drive Rockford, Illinois 61107-5837 (815) 398-2332 FAX (815) 398-2496 Design Firm License: Illinois 184-000816</p>	<p>DETAILS - IDOT-DIST2</p> <p>RIVERSIDE ARRA (MFT SECTION 09-00560-00-RS)</p> <p>WEST RIVERSIDE BOULEVARD ROCKFORD, ILLINOIS</p> <p>FILE: H:\09-029 RIVERSIDE ARRA\DESIGN\DRAWINGS\09-029 DETAILS.DWG</p> <p>JOB: 04-28-09-029</p>	<p>SHEET NO.</p> <p>18 OF 21</p>
AGENCY	DATE														
NO.	ITEM	DATE													