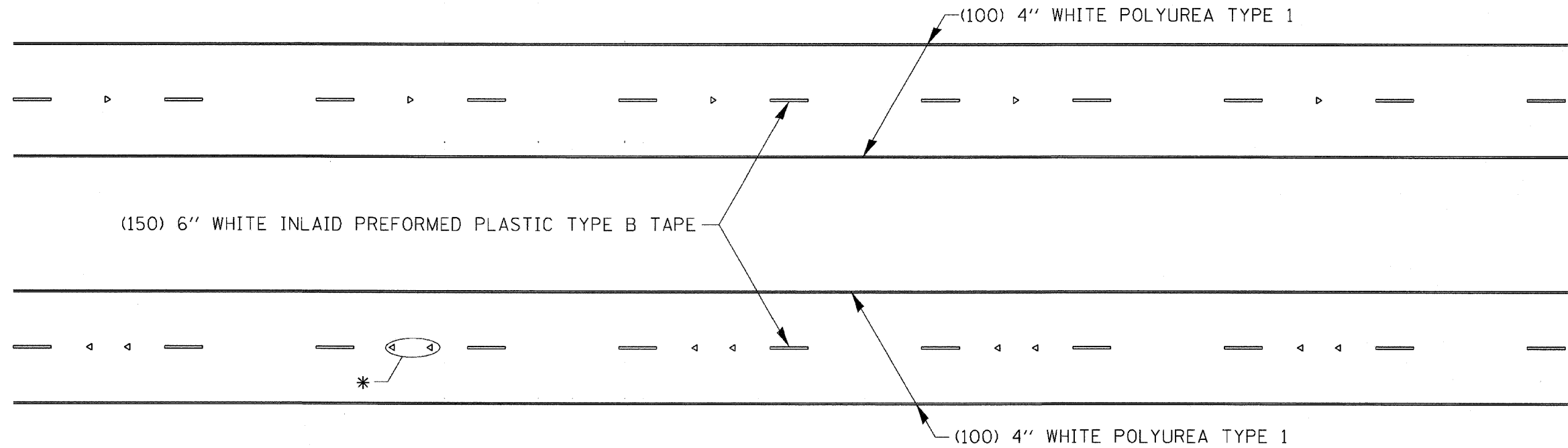
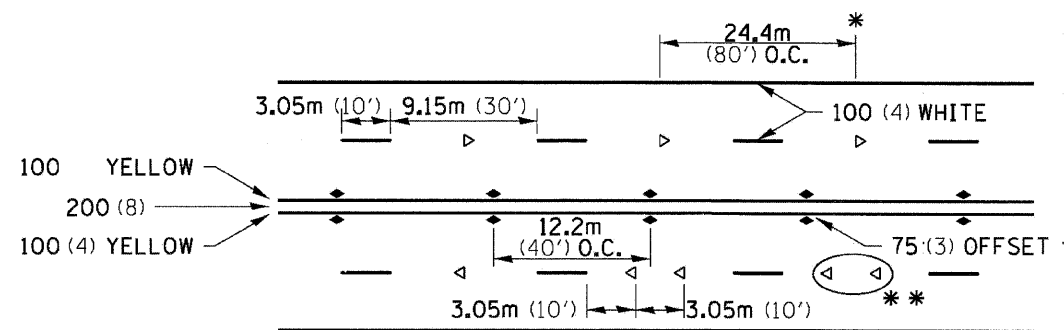


TYPICAL PAVEMENT MARKINGS



* SEE HIGHWAY STANDARD 781001 FOR SPACING DETAILS.
USE DOUBLE MARKERS WHEN ADT ≥ 25,000.

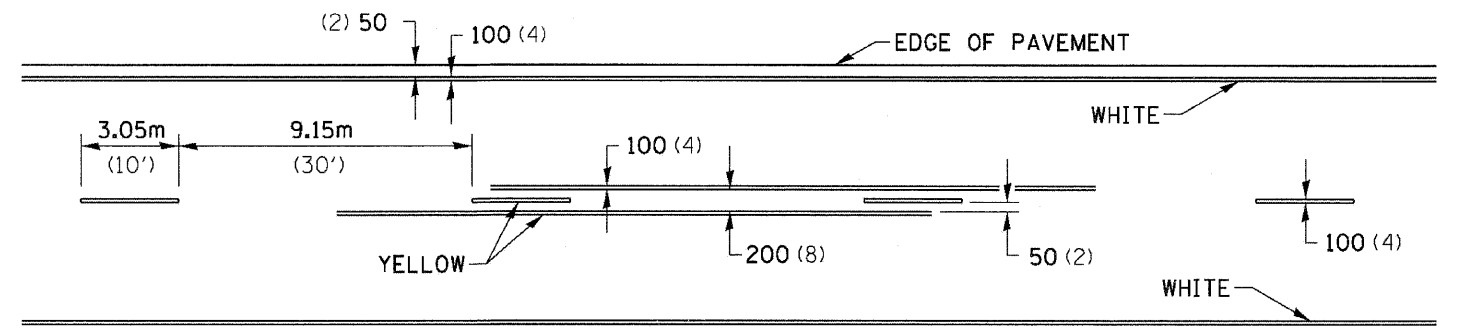
MULTI-LANE / DIVIDED



- REDUCE TO 12.2m (40') O.C. ON CURVES WHERE ADVISORY SPEEDS ARE 15Km/H (10MPH) LOWER THAN POSTED SPEEDS.
- USE DOUBLE MARKERS WHEN ADT ≥ 25,000

MULTI-LANE / UNDIVIDED

TYPICAL PAVEMENT MARKING FOR TWO LANE SECTION – NO PASSING ZONES



SYMBOLS

FILE NAME =	USER NAME = #USER#	DESIGNED - ---	REVISED - 10-21-08	STATE OF ILLINOIS DEPARTMENT OF TRANSPORTATION	REGION 2 / DISTRICT 2 STANDARD	F.A. RTE.	SECTION	COUNTY	TOTAL SHEETS	SHEET NO.		
C:\Documents and Settings\meg11\Desktop\02Standards.oel	DRAWN - ---	REVISED - ---	REVISED - ---			SCALE: _____	SHEET NO. ____ OF ____ SHEETS	STA. _____ TO STA. _____	CONTRACT NO. _____			
PLOT SCALE = 1:2000' / IN.	CHECKED - ---	REVISED - ---	REVISED - ---			FED. ROAD DIST. NO. - [ILLINOIS] FED. AID PROJECT						
PLOT DATE = Tue Oct 21 14:37:09 2008	DATE - -----	REVISED - ---	REVISED - ---									

SHEET REVIEW	AGENCY		DATE		REVISIONS	NO.	ITEM	DATE	SCALE: NA		DETAILS - IDOT-DIST2		SHEET NO. 19 OF 21
	DRAWN BY: TH	RIVERSIDE ARRA (MFT SECTION 09-00560-00-RS)		WEST RIVERSIDE BOULEVARD					ROCKFORD, ILLINOIS				
CHECKED BY: PDS	FILE: H:\09-029 RIVERSIDE ARRA\DESIGN\DRAWINGS\09-029 DETAILS.DWG		JOB: 04-28-09-029		DATE: 8/28/2009	7282 Argus Drive (815) 398-2332		Rockford, Illinois 61107-5837 FAX (815) 398-2496		Design Firm License: Illinois 184-000816			