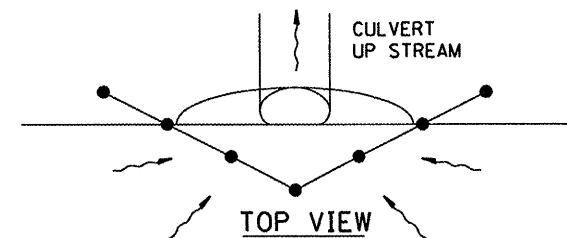
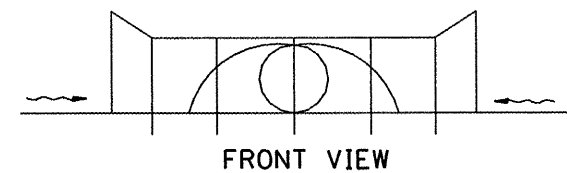
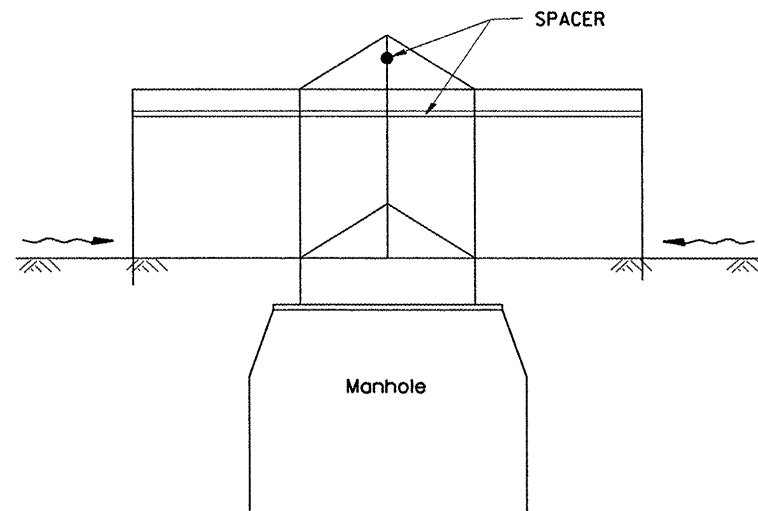


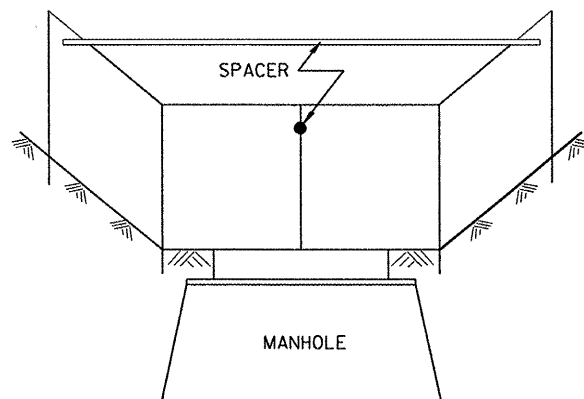
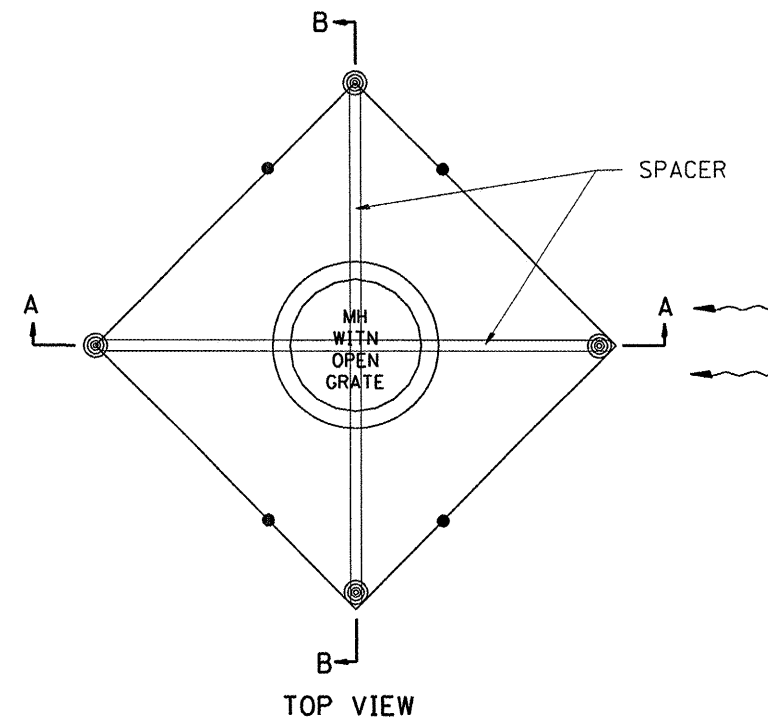
F.A.S. RTE.	SECTION	COUNTY	TOTAL SHEETS	SHEET NO.
145B	03-00125-02-RS	FULTON	66	24
STA. _____		TO STA. _____		
FED. ROAD DIST. NO. _____		ILLINOIS FED. AID PROJECT		



UPSTREAM PIPE CULVERT EROSION CONTROL



SIDE VIEW
A-A



Front View
B-B
EROSION CONTROL
AT
OPEN GRATE MAN HOLE

GENERAL NOTES:

1. This work shall be performed in accordance with Sections 280 & 1081, of the Standard Specifications.
2. Additional Timber or Metal Post shall be installed, as needed.

All dimensions are in millimeters (inches) unless otherwise noted.

ILLINOIS DEPARTMENT OF TRANSPORTATION	
SPECIAL DETAIL SHEET	
TYPICAL APPLICATION OF SILT FILTER FENCE	
CADD DETAIL 280001-D4	DRAWN BY CADD
SCALE: NOT DRAWN TO SCALE	CHECKED BY

DATE	REVISIONS	BY
1-1-97	RENUM. A-12.05, NEW REVISION BOX	T.P.
3-11-03	ELIMINATED SILT FENCE DITCH CHECK	M.M.A.

Designer NOTES:
 1. Designer to modify this Special Detail sheet, as needed, for inclusion in plans.
 2. Include Highway Standard 280001 "TEMPORARY EROSION CONTROL SYSTEM."

\$\$\$DATE\$\$\$