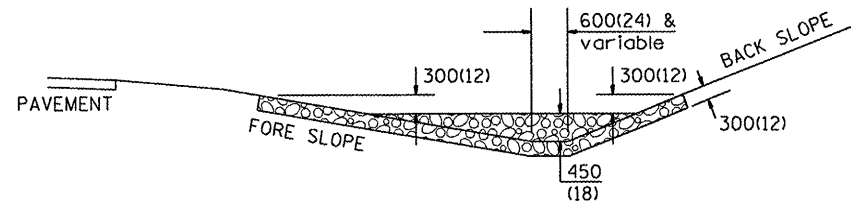
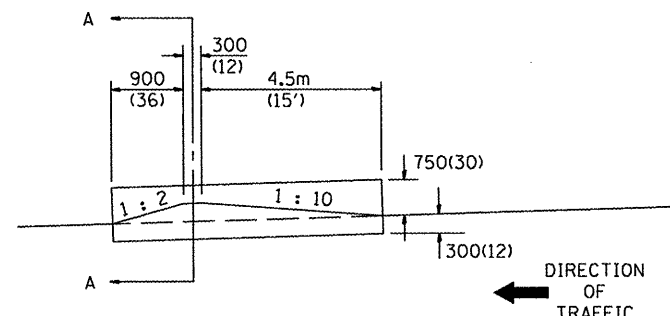


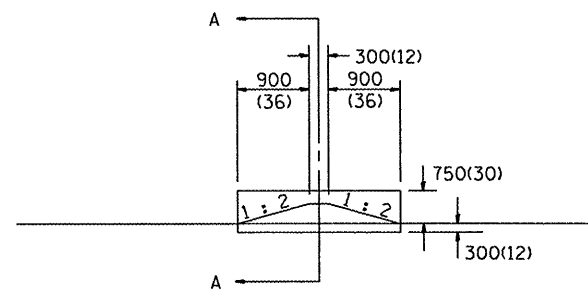
F.A.S. RTE.	SECTION	COUNTY	TOTAL SHEETS	SHEET NO.
145B	03-00125-02-RS	FULTON	66	25
STA. _____		TO STA. _____		
FED. ROAD DIST. NO. _____		ILLINOIS FED. AID PROJECT		



SECTION A - A

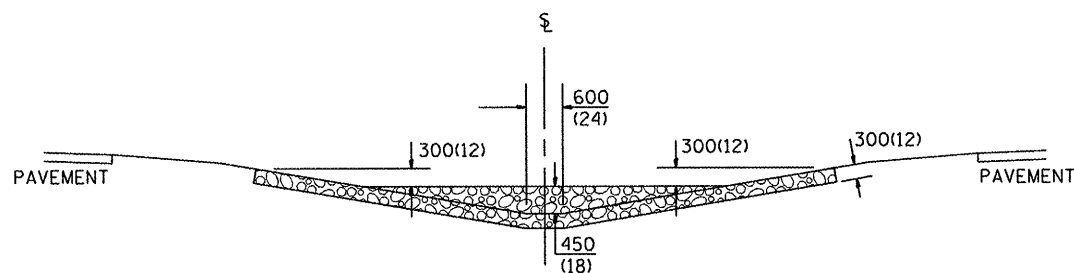


SIDE VIEW (WITHIN CLEAR ZONE)

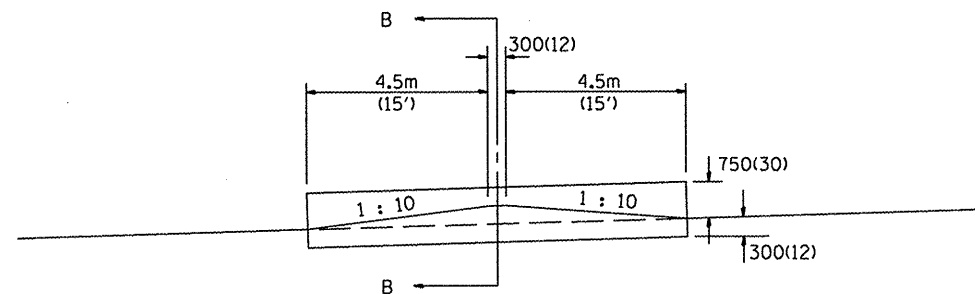


SIDE VIEW (OUTSIDE OF CLEAR ZONE)

SIDE DITCH AGGREGATE DITCH CHECK



SECTION B - B



SIDE VIEW

MEDIAN AGGREGATE DITCH CHECK

NOTES:

- FOR DITCH BOTTOM PROTECTED BY EXCELSIOR BLANKET, USE 120m(400') SPACING. FOR SEEDED DITCH BOTTOM, USE 60m(200') SPACING.
- THIS WORK CONSISTS OF THE COMPLETE INSTALLTION OF EROSION CONTROL DITCH CHECK AT LOCATIONS AS SHOWN ON THE PLANS, OR AS DIRECTED BY THE ENGINEER. THE AGGREGATE GRADATION SHALL BE RR3 WITH A MINIMUM QUALITY OF CLASS C.

STATION	LOCATION		NUMBER OF DITCH CHECKS	FORE SLOPE	DITCH BOTTOM WIDTH	BACK SLOPE	BERM SLOPE
	MEDIAN	SIDE DITCH					
		LEFT	RIGHT				

ESTIMATE QUANTITIES

	FORE SLOPE	DITCH BOTTOM	BACK SLOPE	BERM SLOPE	AGGREGATE DITCH CHECK EROSION CONTROL METRIC (TON/TON)
MEDIAN DITCH	1 : 6	600(24)	—	1 : 10	86(95)
SIDE DITCH	1 : 6	600(24)	1 : 4	1 : 10 & 1 : 2	45(50)
SIDE DITCH	1 : 6	600(24)	1 : 4	1 : 2 & 1 : 2	17(19)
SIDE DITCH	1 : 4	600(24)	1 : 3	1 : 10 & 1 : 2	16(18)
SIDE DITCH	1 : 4	600(24)	1 : 3	1 : 2 & 1 : 2	13(14)

All slope ratios are expressed as units of vertical displacement to units of horizontal displacement (V:H).
All dimensions are in millimeters (inches) unless otherwise noted.

- Designer to modify this detail Special Detail Sheet, as needed, for inclusion in plans.
- Determine the required clear zone in order to select the berm slopes.
- Include State Standard 280001.

QUANTITIES

CALC. BY: _____ DATE: _____

CHECKED BY: _____ DATE: _____

QUANTITY CALCULATIONS ARE ON FILE AT THE DISTRICT 4 OFFICE; BUREAU OF PROJECT IMPLEMENTATION; DOCUMENTATION SECTION

ILLINOIS DEPARTMENT OF TRANSPORTATION

SPECIAL DETAIL SHEET

EROSION CONTROL AGGREGATE DITCH CHECK

CADD DETAIL 280101-D4
SCALE: NOT DRAWN TO SCALE

DRAWN BY CADD
CHECKED BY _____