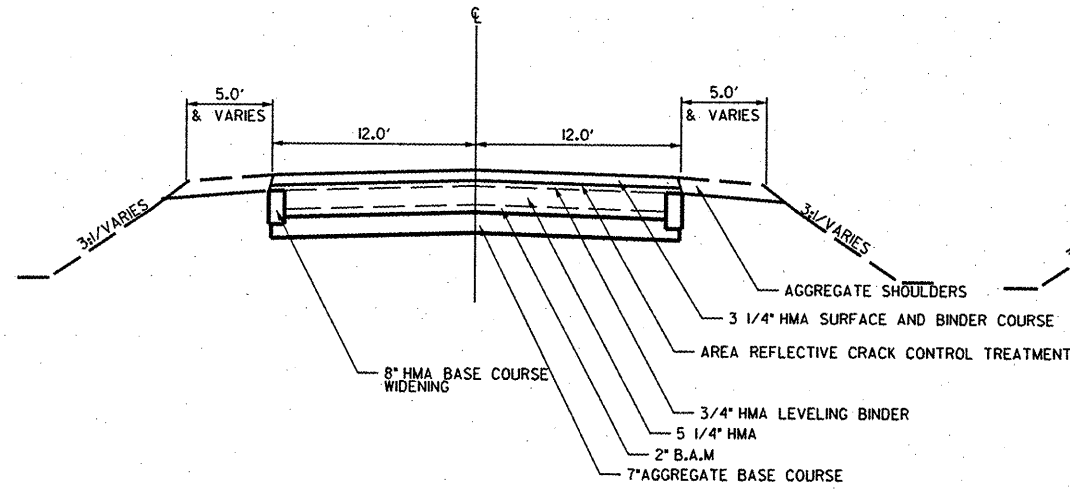


F.A.S. RTE.	SECTION	COUNTY	TOTAL SHEETS	SHEET NO.
367	01-00100-00-RS	WOODFORD	5	3
STA.		TO STA.		
FED. ROAD DIST. NO. 4		ILLINOIS	FED. AID PROJECT	

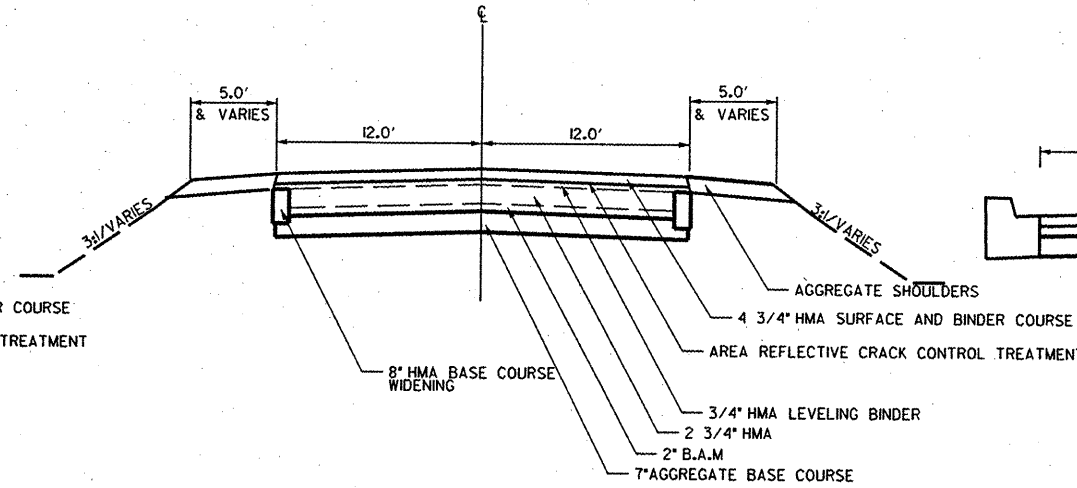
EXISTING TYPICAL CROSS SECTION

STA. 0+00 - 114+69



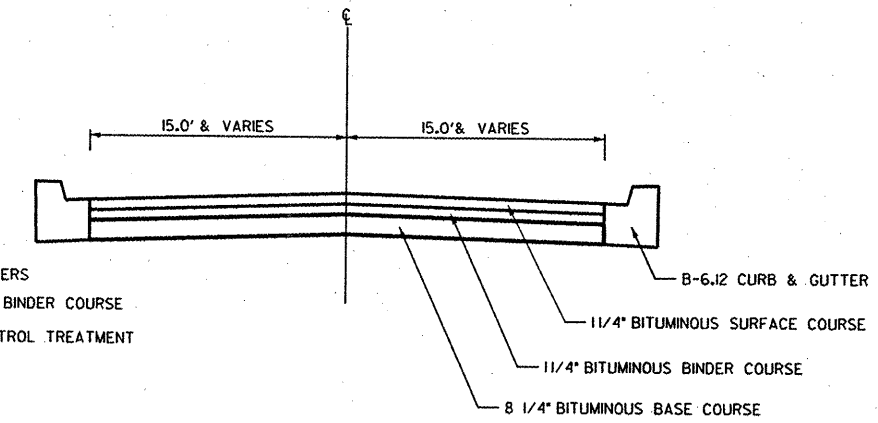
EXISTING TYPICAL CROSS SECTION

STA. 114+69 - 163+03



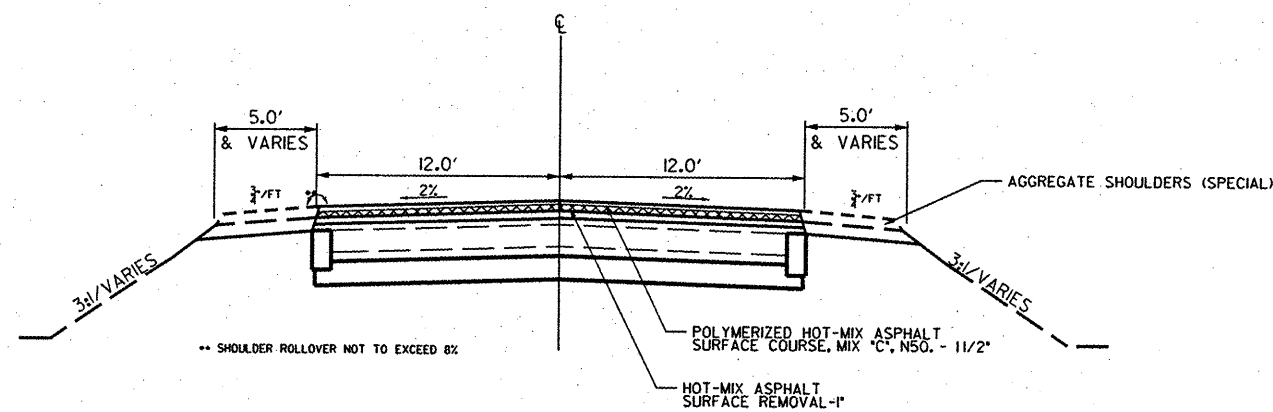
EXISTING TYPICAL CROSS SECTION

163+03 - 165+69



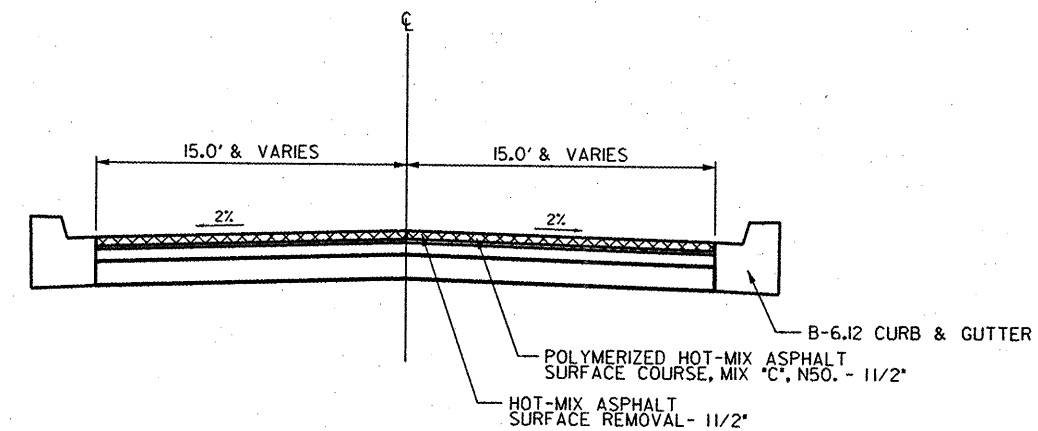
PROPOSED TYPICAL CROSS SECTION

STA. 0+20 - 162+83



PROPOSED TYPICAL CROSS SECTION

STA. 163+03 - 165+69



MIX DESIGN	SURFACE
PG:	SBS 70-22
RAP (%)max	10%
DESIGN AIR VOIDS	4% @ N=50
GRADATION MIXTURE	IL-9.5 OR IL-12.5
FRICTION AGGREGATE	'C'
N DESIGN	N50

DATE: 8/6/2009
 PLOT DATE: 8/6/2009
 PLOT SCALE: 1"=5'
 USER NAME: DBB

WOODFORD COUNTY
 HIGHWAY DEPARTMENT
 DENNIS BACHMAN, P.E., COUNTY ENGINEER
 301 S. Main St., P.O. Box 467
 Roonoke, IL 61561
 TEL: 309-923-2891
 FAX: 309-923-7928

F. A. S. RTE. 367
 SECTION 01-00100-00-RS
 C. H. #23

TYPICAL SECTION

SCALE: 1"=5'
 DATE: 8/6/2009

DRAWN BY: BJH
 CHECKED BY: DDB