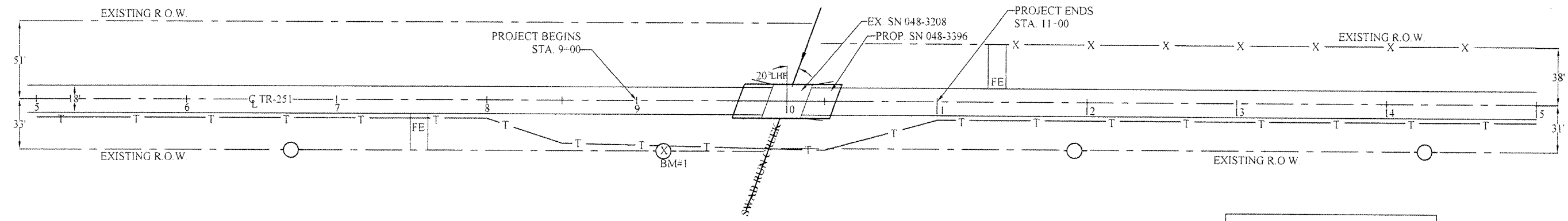


BM#1- ELEV. 100.0'
SPIKE IN PP
STA. 9+18 RT.

COUNTY	TWP	ROUTE	CONTRACT	SHEET
KNOX	ELBA	TR-251	89544	3 OF 16

SEC. 08-04126-00-BR

HAROLD BEETLER, JR
SE 1/4 SEC. 13
T10NR04E

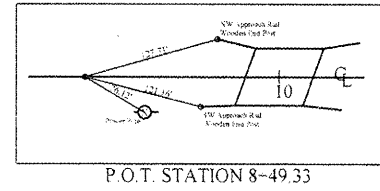


LEGEND

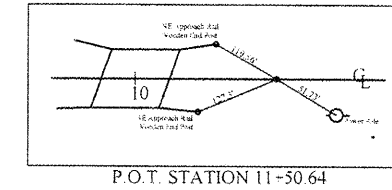
T — T Underground Phone

○ Power Pole

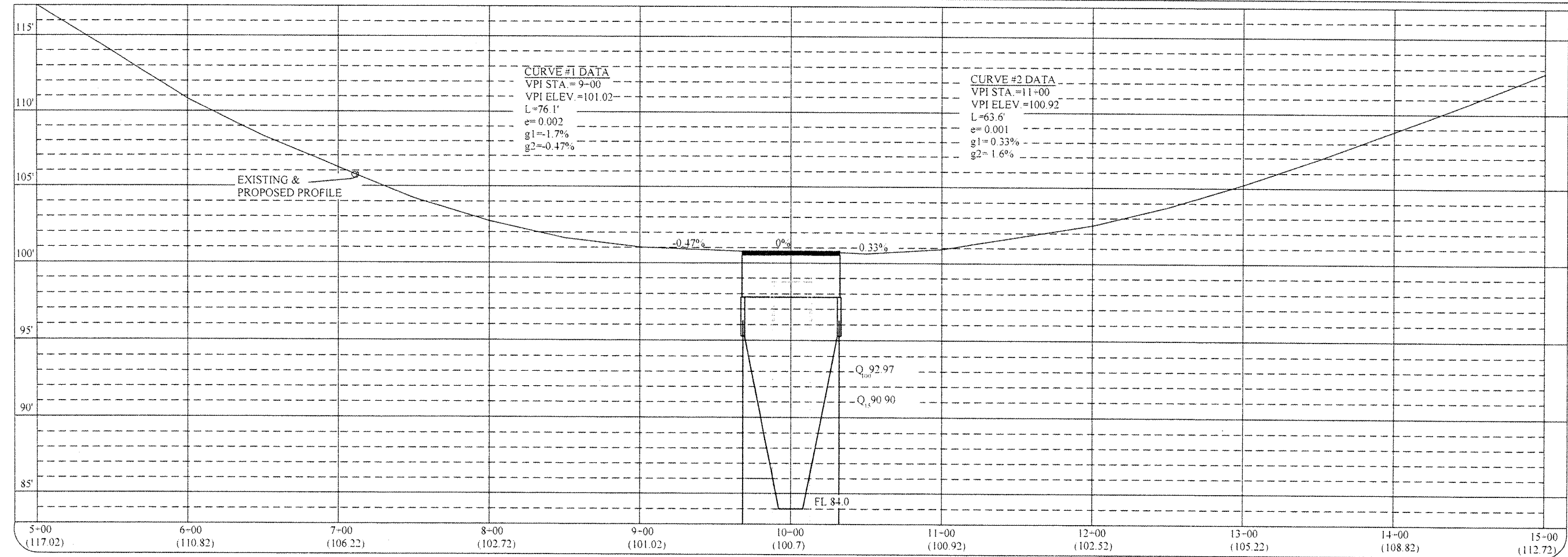
UTILITIES:
Amerin IP 1-800-755-5000
Verizon 1-800-256-4646
McLeod 1-800-289-1901



FRANCIS BARTON, et ux
NE 1/4 SEC. 24
T10NR04E



APPROACHES & PERMANENT SEEDING BY ROAD DISTRICT



NOT TO SCALE