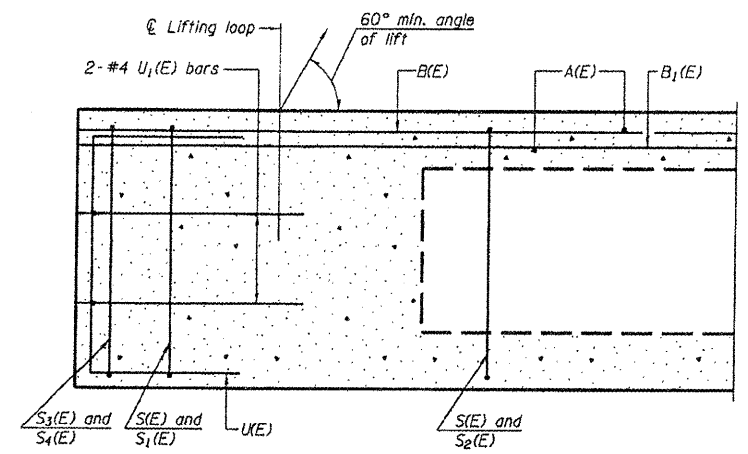
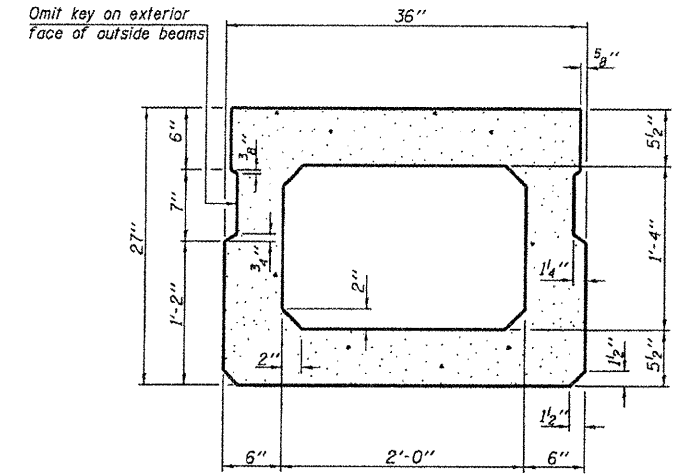


ROUTE NO.	SECTION	COUNTY	TOTAL SHEETS	SHEET NO.
T.R. 251	08-04126-00-BR	KNOX	5	16
FED. ROAD DIST. NO.	ILLINOIS PROJECT			

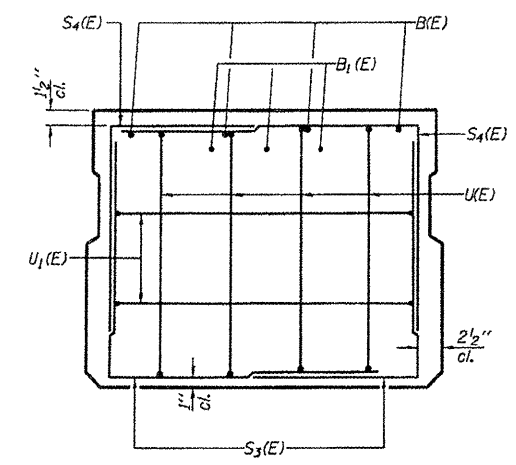
Contract 89544



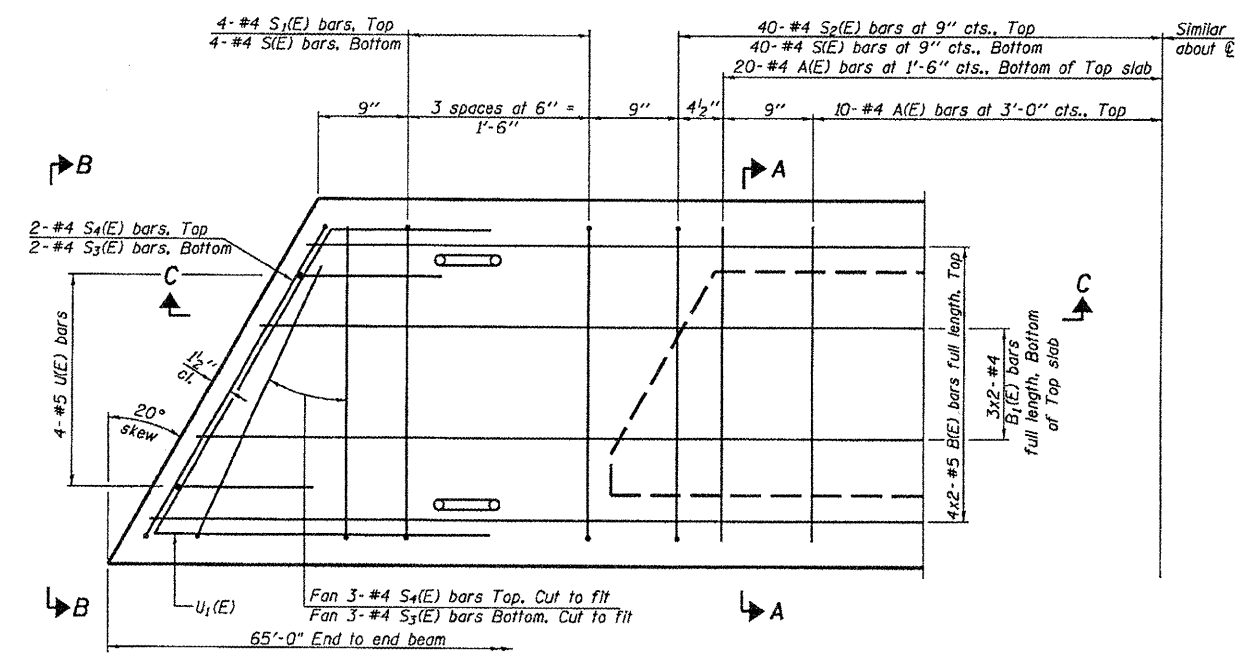
SECTION C-C



SECTION A-A  
(Showing dimensions)

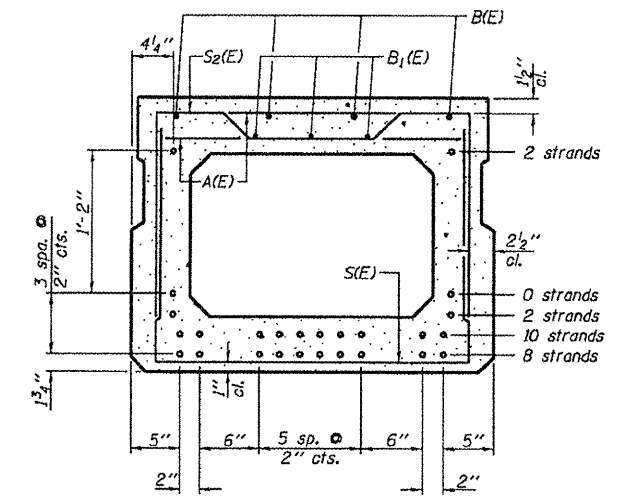


VIEW B-B



PLAN VIEW

Note: Spacing of S1(E) and S2(E) bars may be adjusted up to 4" in the immediate area of the transverse tie diaphragms to miss the block outs for the transverse ties.



SECTION A-A  
(Showing reinforcement and permissible strand locations)  
Note: Place the number of strands specified in each row symmetrically about the centerline of beam in the permissible strand locations shown.

BAR LIST  
ONE BEAM ONLY  
(For information only)

Bar	No.	Size	Length	Shape
A(E)	60	#4	2'-7"	—
B(E)	8	#5	33'-5"	—
B1(E)	6	#4	33'-2"	—
S(E)	88	#4	6'-5"	U
S1(E)	8	#4	5'-11"	U
S2(E)	80	#4	6'-2"	U
S3(E)	10	#4	4'-8"	U
S4(E)	10	#4	4'-5"	U
U(E)	8	#5	4'-6"	U
U1(E)	4	#4	6'-1"	U

Note: See sheet 3 of 7 for additional details and Bill of Material.

Min. Bar Lap  
#4 bar = 1'-8"  
#5 bar = 2'-2"

27" X 36" PPC DECK BEAM  
STRUCTURE NO. 048-3396

<b>SUPERSTRUCTURE</b>		Sheet No.
Date	Designed MJP	<b>T.R. 251 OVER SWAB RUN CREEK</b> <b>SECTION 08-04126-00-BR</b> <b>KNOX COUNTY</b> <b>STA. 10+00.00</b> <b>PROP. STR. NO. 048-3396</b>
Revisions	Drawn BKN	
	Checked MJP	
	Approved KWB	
Prepared by: <b>URS</b> 345 East Ash Avenue Decatur, IL 62526		<b>2</b> of 7 URS Job No. 36432412