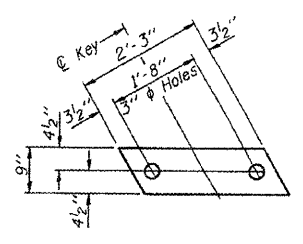
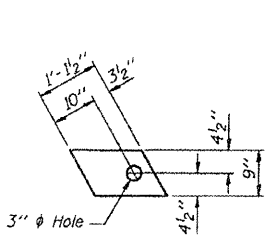


ROUTE NO.	SECTION	COUNTY	TOTAL SHEETS	SHEET NO.
T.R. 251	08-04126-00-BR	KNOX	6	16
FED. ROAD DIST. NO.	ILLINOIS PROJECT			

Contract 89544

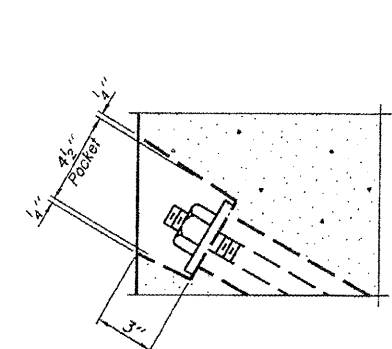


FABRIC BEARING PAD (Interior)

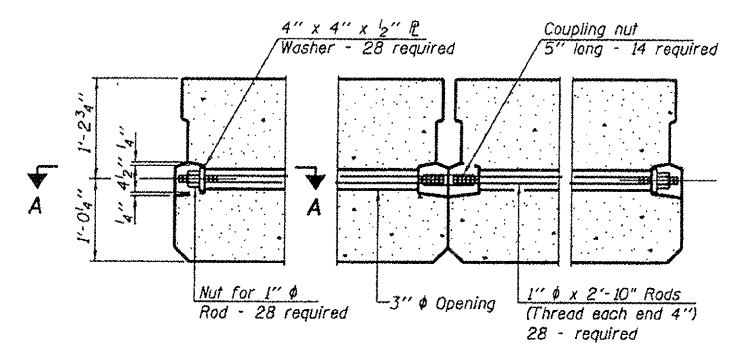


FABRIC BEARING PAD (Exterior)

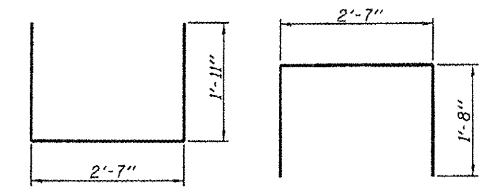
FIXED



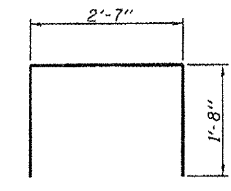
SECTION A-A



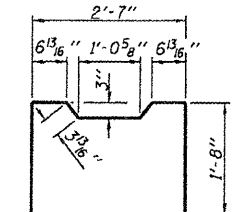
TYPICAL TRANSVERSE TIE ASSEMBLY



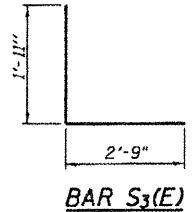
BAR S1(E)



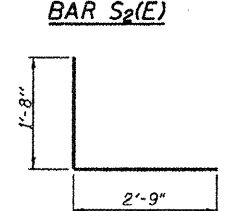
BAR S1(E)



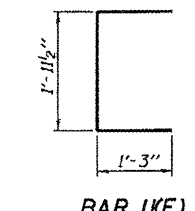
BAR S2(E)



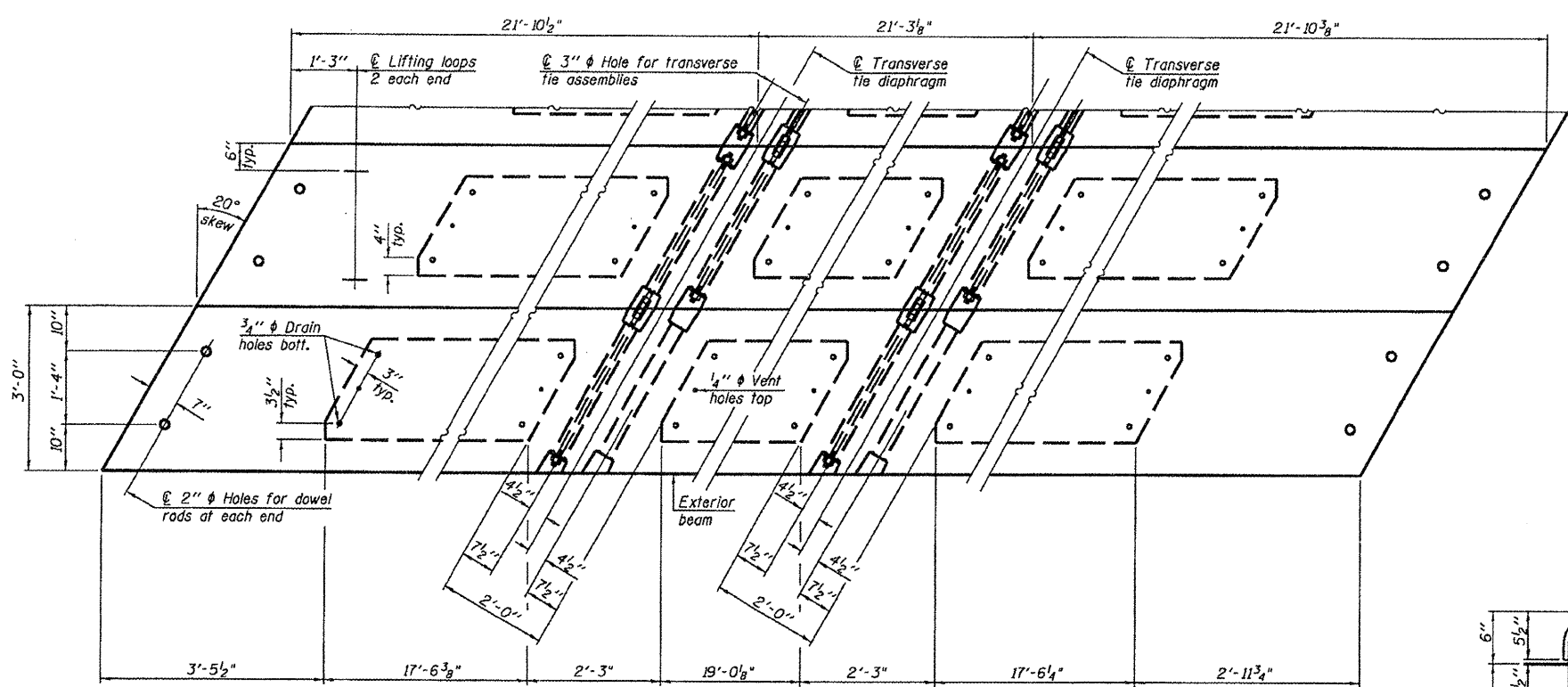
BAR S3(E)



BAR S4(E)

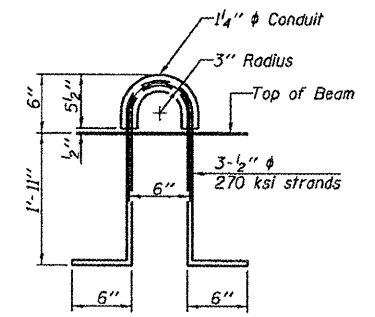


BAR U1(E)



PLAN VIEW

Note: Connect beams in pairs with the transverse tie configuration shown.



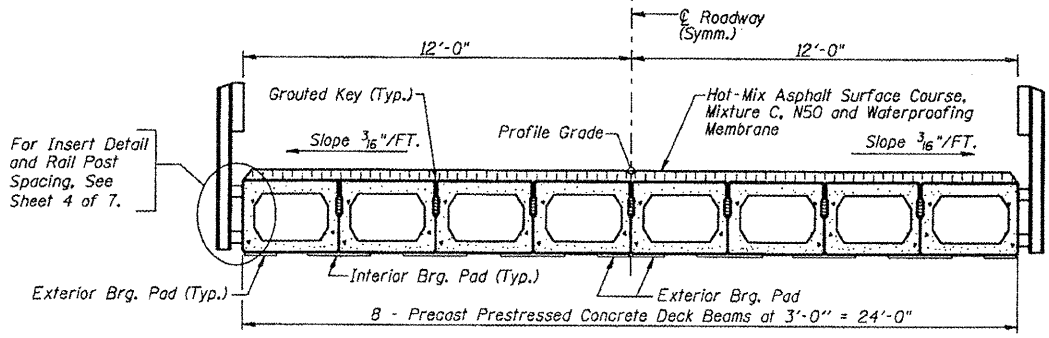
LIFTING LOOP DETAIL

NOTES
 Prestressing steel shall be uncoated high strength, low relaxation 7-wire strand, Grade 270. The nominal diameter shall be 1/2" and the nominal cross-sectional area shall be 0.153 sq. in.
 The 1" rods in the transverse tie assembly shall be tightened to a snug fit and the threads set. Pockets on exterior faces of bridge shall be filled with grout after transverse tie assembly is in place.
 Reinforcement bars shall conform to ASTM A 706, Grade 60. (See Special Provisions).
 Two 1/2" fabric adjusting shims of the dimensions of the exterior bearing pad shall be provided for each bearing pad location.
 A minimum 2 1/2" lifting pin shall be used to engage the lifting loops during handling.
 Corrosion Inhibitor, per Article 1020.05(b)(12) and 1021.06 of the Standard Specifications, shall be used in the concrete for precast prestressed concrete deck beams.
 Compressive strength of prestressed concrete, f'c, shall be 6000 psi.
 Compressive strength of prestressed concrete at release, f'cl, shall be 5000 psi.

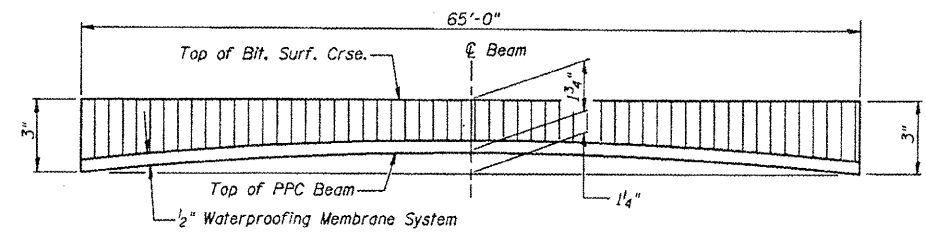
BILL OF MATERIAL

Precast Prestressed Conc. Deck Bms. (27" depth)	Sq. Ft.	1560
---	---------	------

**27" X 36" PPC DECK BEAM DETAILS
 STRUCTURE NO. 048-3396**



CROSS SECTION



ANTICIPATED CAMBER DIAGRAM

SUPERSTRUCTURE DETAILS			Sheet No.
Date	Designed MJP	T.R. 251 OVER SWAB RUN CREEK SECTION 08-04126-00-BR KNOX COUNTY STA. 10+00.00 PROP. STR. NO. 048-3396	3 of 7
Revisions	Drawn BKN		
	Checked MJP		
	Approved KWB		
Prepared by:	URS 345 East Ash Avenue Decatur, IL 62526		
			URS Job No. 36432412