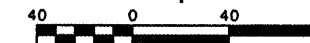


ROUTE NO.	SECTION	COUNTY	TOTAL SHEETS	SHEET NO.
MONTICELLO RD. CH 18 (FAS 531)	07-00419-00-R5	CHAMPAIGN	162	31
STA.	TO STA.			
F.H.W.A. REG.	ILLINOIS	PROJECT	ARA-HSIP-531(08)	

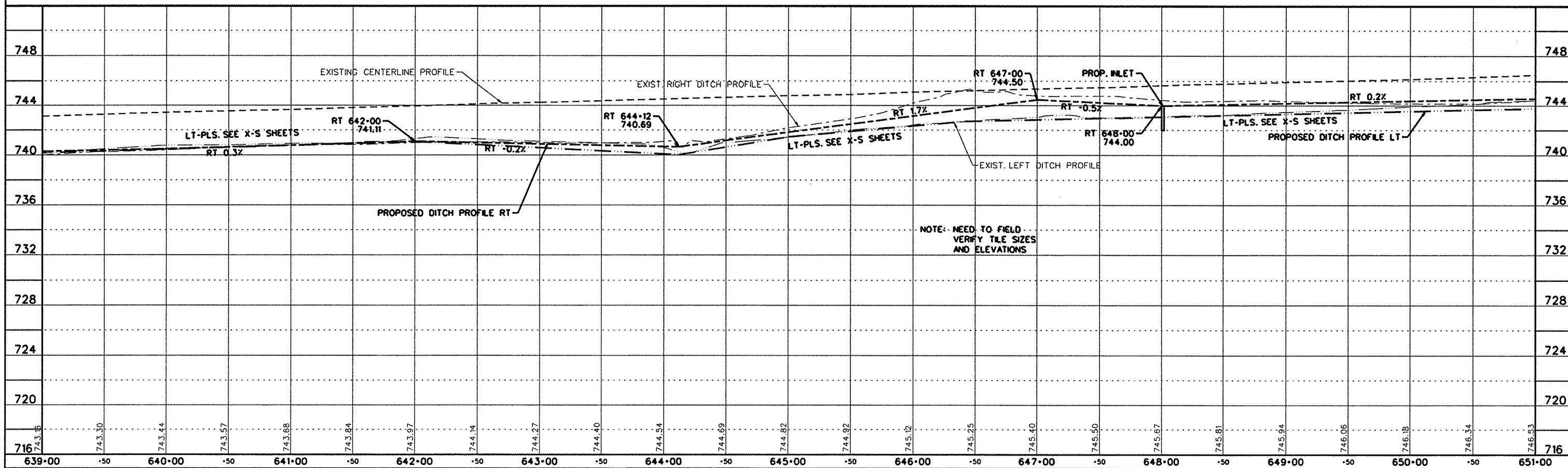
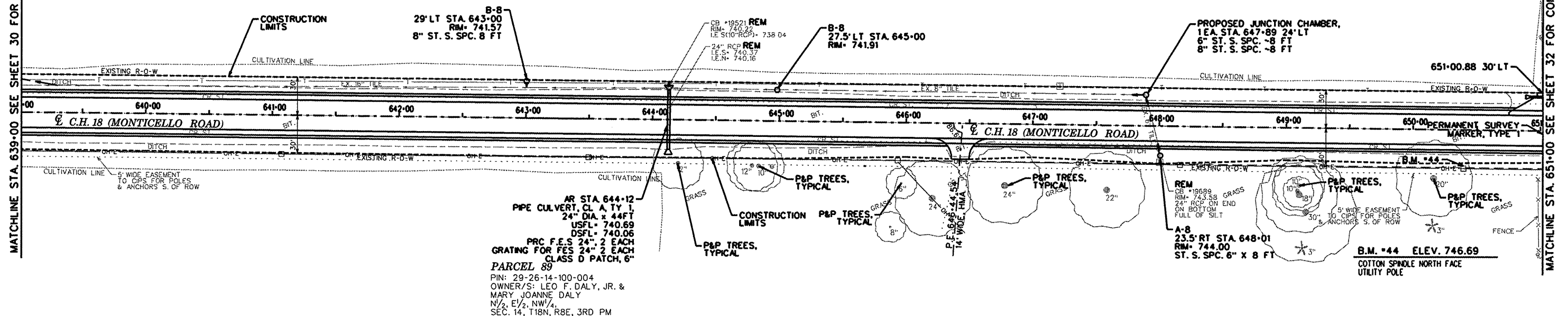
**PARCEL 88**  
 PIN: 29-26-11-300-003  
 OWNER/S: DANNY HELLER  
 SW/4, SEC. 11, T18N, R8E, 3RD PM  
 EXC. W. 5 Ac.

NOTE: TILE DATA ON THIS SHEET WAS OBTAINED FROM OLD CCHD PLANS - NEED TO FIELD VERIFY SIZE AND LOCATION



MATCHLINE STA. 639-00 SEE SHEET 30 FOR CONTINUATION

MATCHLINE STA. 651-00 SEE SHEET 32 FOR CONTINUATION



NOTE: NEED TO FIELD VERIFY TILE SIZES AND ELEVATIONS