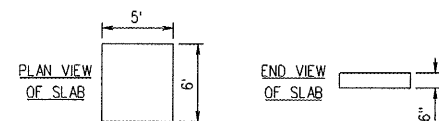
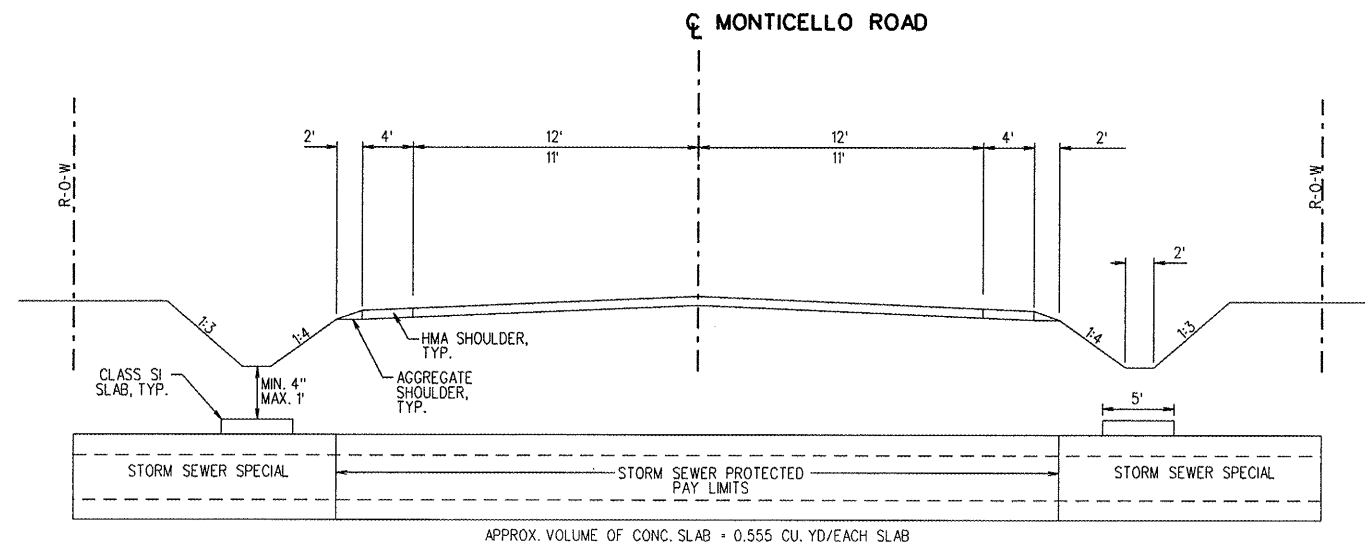
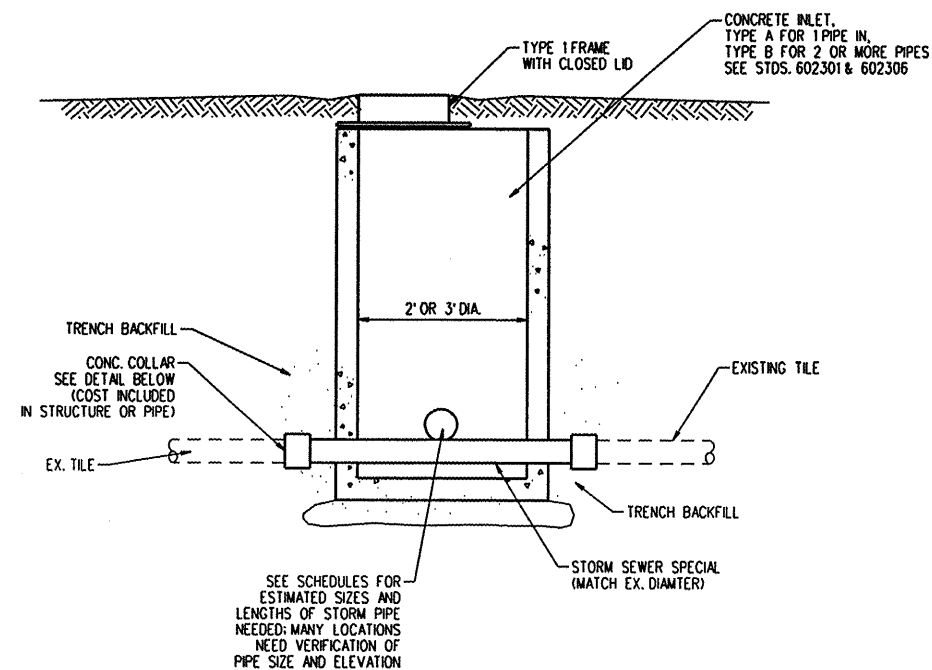


ROUTE NO.	SECTION	COUNTY	TOTAL SHEETS	SHEET NO.
MONTICELLO RD, CH 18 (FAS 531)	07-00419-00-RS	CHAMPAIGN	162	38
STA.	TO STA.			
F.H.W.A. REG.	ILLINOIS	PROJECT	ARA-HSP-531(108)	



NOTE: PROTECTION IS NOT REQUIRED WHEN DEPTH IS GREATER THAN 1 FOOT (1').

**STORM SEWER PROTECTION DETAIL**  
**CLASS SI CONCRETE (MISC.)**  
NOT TO SCALE



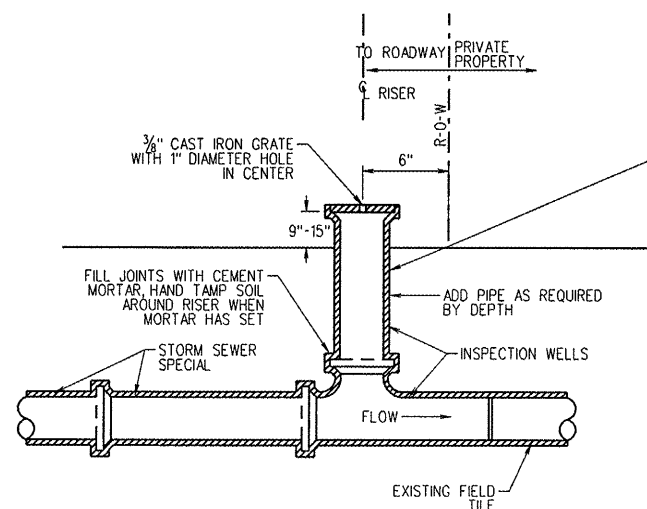
SEE SCHEDULES FOR ESTIMATED SIZES AND LENGTHS OF STORM PIPE NEEDED; MANY LOCATIONS NEED VERIFICATION OF PIPE SIZE AND ELEVATION

NOTE:  
THE COST OF THE JUNCTION CHAMBERS SHALL BE AT THE UNIT PRICE PER EACH FOR JUNCTION CHAMBER. SEE SPECIAL PROVISIONS.  
SEE SCHEDULES FOR LOCATIONS.

**JUNCTION CHAMBER**  
NOT TO SCALE

CONTINGENCY ITEMS INCLUDED IN PLANS FOR UNLOCATED FIELD TILE CROSSINGS:

ITEM	QUANTITY	UNIT
MISCELLANEOUS CONCRETE	2.8	CU YD
STORM SEWERS SPECIAL, 8"	100.0	FOOT
STORM SEWERS SPECIAL, 10"	200.0	FOOT
STORM SEWERS SPECIAL, 12"	100.0	FOOT
INSPECTION WELLS	5.0	EACH

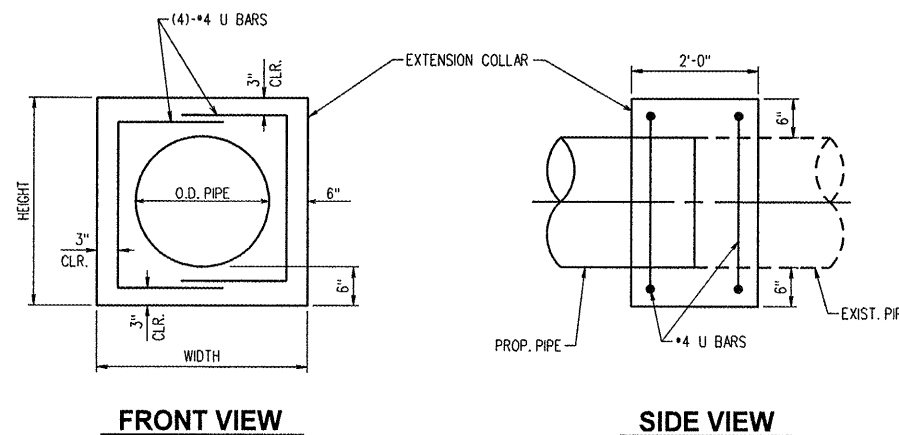


STANDARD DIAMETERS	
STORM SEWER	RISER
6"	6"
8"	6"
10"	8"
12"	8"
OR GREATER	10"

**GENERAL NOTES**

- WHERE STORM SEWER CROSSES R-O-W, INSPECTION WELLS SHALL BE PLACED 6" INSIDE OF R-O-W LINE ON EACH SIDE.
- STORM SEWER RISERS AND GRATES WILL NOT BE PAID FOR SEPARATELY, BUT SHALL BE CONSIDERED INCLUDED IN THE CONTRACT UNIT PRICE PER EACH INSPECTION WELLS AND THE TYPE AND SIZE SPECIFIED PER FOOT FOR STORM SEWER SPECIAL.

**INSPECTION WELL**  
NOT TO SCALE



NOTE:  
THE COST OF THE CONCRETE COLLARS AND REINFORCEMENT BARS SHALL BE INCLUDED IN PRICES FOR STRUCTURES AND STORM SEWERS WHERE COLLARS ARE REQUIRED. SEE SCHEDULES FOR LOCATIONS.

CULV. SIZE DIA. IN.	EXTENSION COLLAR		U-BAR	
	WIDTH FEET	HEIGHT FEET	DIMEN. "X"	DIMEN. "Y"
12"	2'-4"	2'-4"	1'-6"	1'-10"
15"	2'-7 1/2"	2'-7 1/2"	1'-9"	2'-1"
18"	2'-11"	2'-11"	2'-0"	2'-5"
21"	3'-2 1/2"	3'-2 1/2"	2'-2"	2'-8"
30"	4'-1"	2'-8"	2'-8"	3'-7"
36"	4'-8"	4'-8"	3'-0"	4'-2"

**CONCRETE COLLAR GUIDELINES**