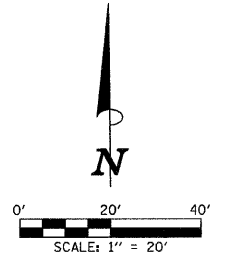
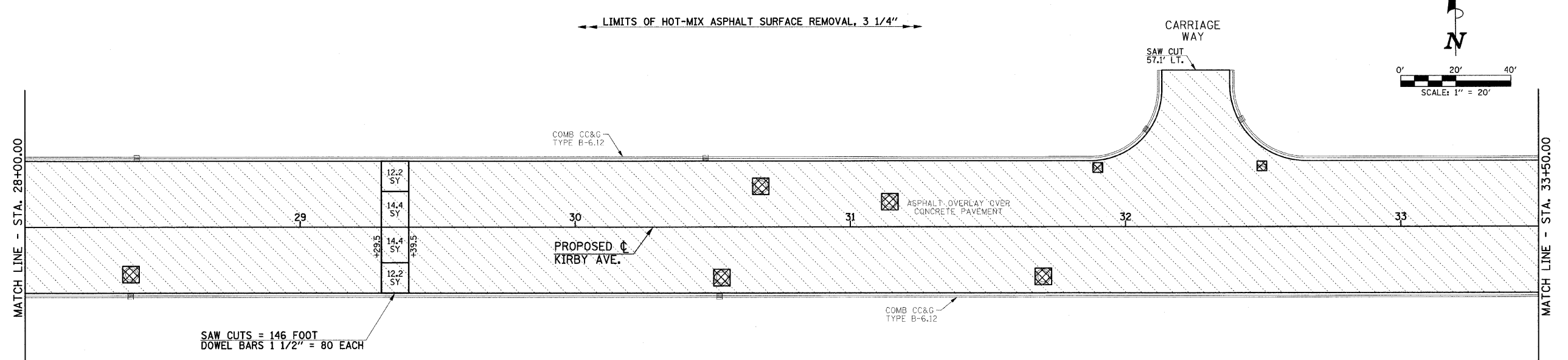


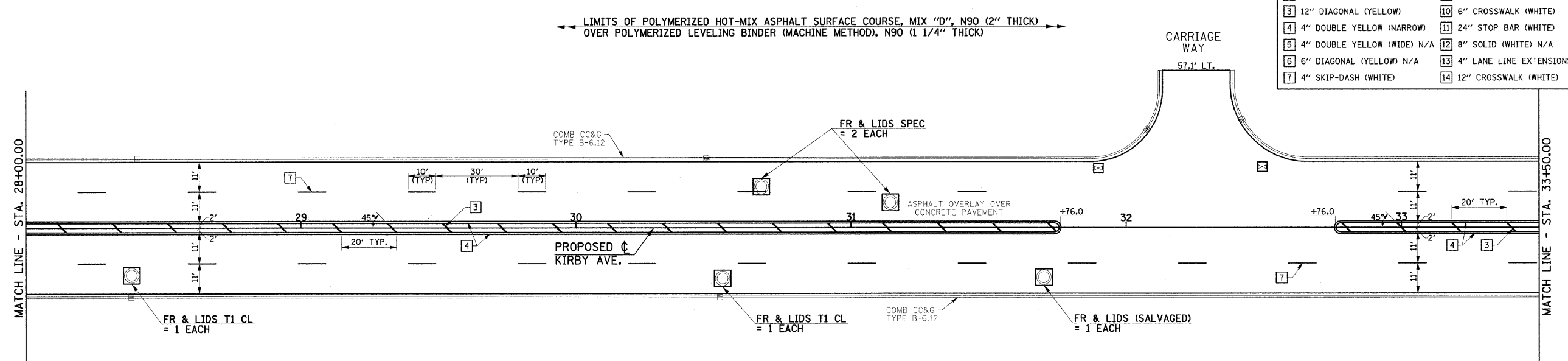
SEC. 14, T.19N., R.8E., 3rd P.M.  
CHAMPAIGN COUNTY, ILLINOIS



- LEGEND**
- HOT-MIX ASPHALT SURFACE REMOVAL, 3 1/4"
  - COMBINATION CURB AND GUTTER REMOVAL
  - CLASS B PATCHES, TYPE II, 12 INCH
  - PAVEMENT PATCHING SPECIAL (SEE DETAIL)

SEC. 23, T.19N., R.8E., 3rd P.M.  
CHAMPAIGN COUNTY, ILLINOIS

SEC. 14, T.19N., R.8E., 3rd P.M.  
CHAMPAIGN COUNTY, ILLINOIS



TYPICAL PAVEMENT MARKING LEGEND	
1 4" SKIP-DASH (YELLOW)	8 4" SOLID (WHITE)
2 4" SOLID (YELLOW)	9 12" DIAGONAL (WHITE) N/A
3 12" DIAGONAL (YELLOW)	10 6" CROSSWALK (WHITE)
4 4" DOUBLE YELLOW (NARROW)	11 24" STOP BAR (WHITE)
5 4" DOUBLE YELLOW (WIDE) N/A	12 8" SOLID (WHITE) N/A
6 6" DIAGONAL (YELLOW) N/A	13 4" LANE LINE EXTENSIONS (WHITE) N/A
7 4" SKIP-DASH (WHITE)	14 12" CROSSWALK (WHITE)

SEE SCHEDULE OF QUANTITIES AND MISCELLANEOUS DETAILS SHEET FOR ADDITIONAL INFORMATION.

SEC. 23, T.19N., R.8E., 3rd P.M.  
CHAMPAIGN COUNTY, ILLINOIS

FILE NAME = p:\c0010470\plans\sheets\kirbyplan.dgn  
PLOT DATE = 7/16/2009 10:44:38 AM

DESIGNED - R.L.H.	REVISED -
DRAWN - J.L.B.	REVISED -
CHECKED - J.T.P.	REVISED -
DATE - 6-09	REVISED -

STATE OF ILLINOIS  
DEPARTMENT OF TRANSPORTATION

PLAN - KIRBY AVENUE  
SCALE: 1"=20' SHEET NO. 15 OF 27 SHEETS STA. 28+00.00 TO STA. 33+50.00

F.A.U. RTE. 7138	SECTION 09-00281-00-RS	COUNTY CHAMPAIGN	TOTAL SHEETS 27	SHEET NO. 15
FED. ROAD DIST. NO. ILLINOIS		FED. AID PROJECT ARA-5181 (046)		