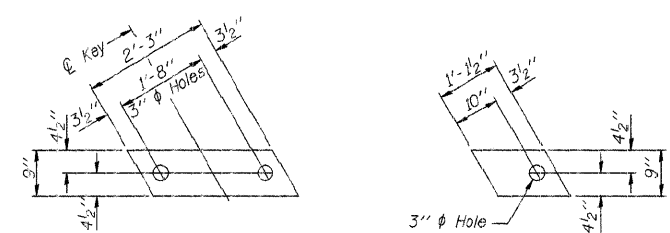


ROUTE NO.	SECTION	COUNTY	SHEET NO.	TOTAL SHEETS
FAS 496	*	Vermilion	18	13
FED. ROAD DIST. NO. 7		ILLINOIS	FED. AID PROJECT:	

\*97-00141-00-BR

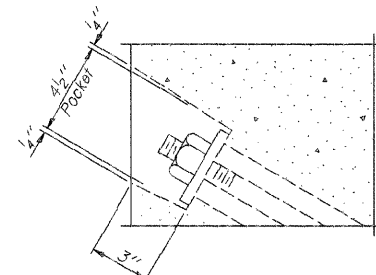


FABRIC BEARING PAD (Interior)

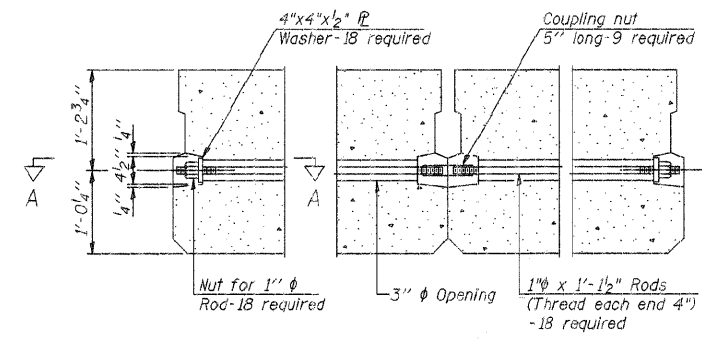
FABRIC BEARING PAD (Exterior)

FIXED

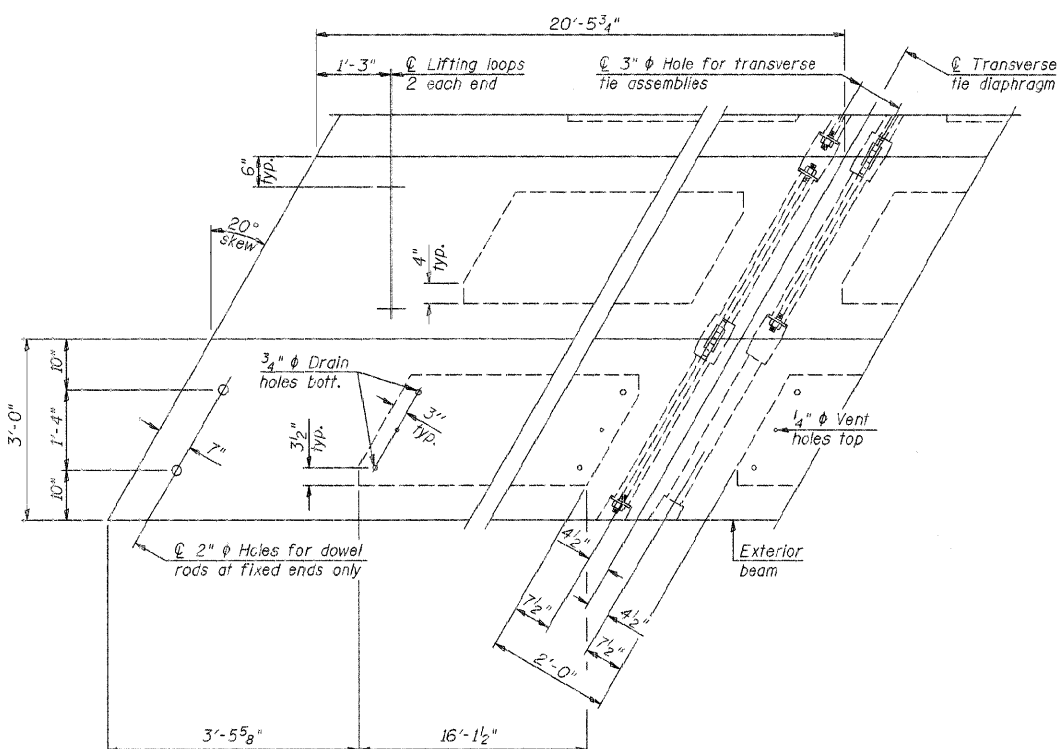
Note: Omit holes when using expansion bearings.



SECTION A-A

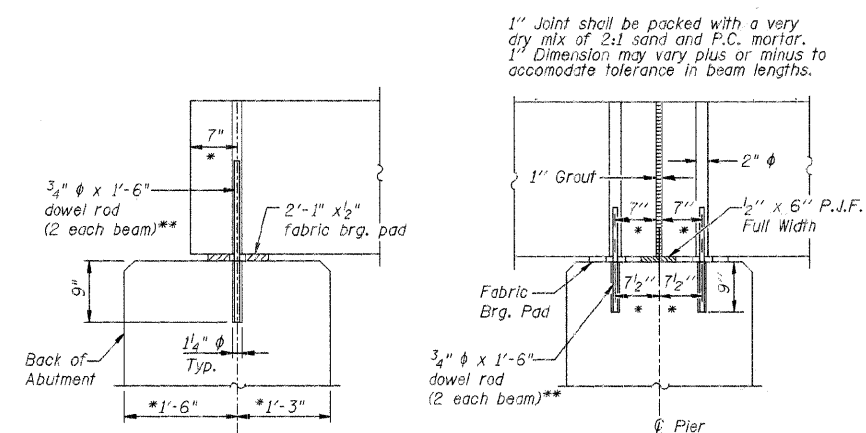


TYPICAL TRANSVERSE TIE ASSEMBLY



PLAN VIEW

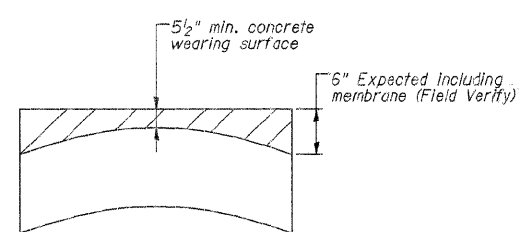
Note: Connect beams in pairs with the transverse tie configuration shown.



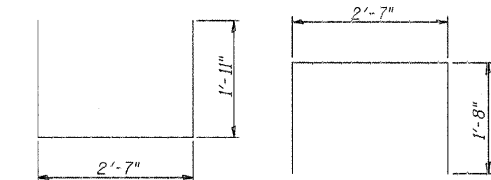
SECTION AT ABUTMENT

SECTION AT PIER

\* Perpendicular to centerline of abutment or pier  
 \*\* Dowel rods to be grouted after beams are in place and prior to grouting the shear keys

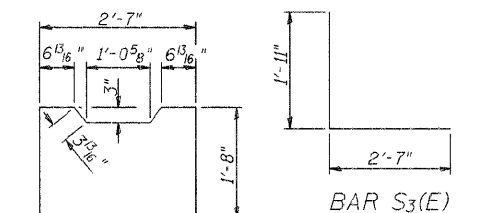


CAMBER DIAGRAM Along Center of Beam



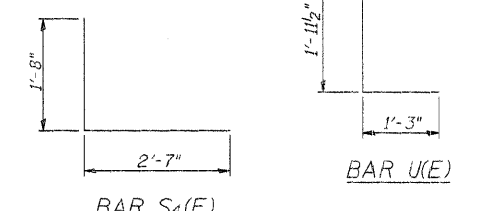
BAR S1(E)

BAR S2(E)



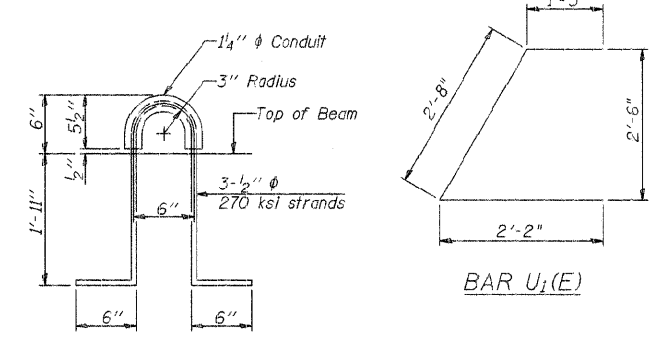
BAR S3(E)

BAR S4(E)



BAR U1(E)

BAR U2(E)



LIFTING LOOP DETAIL

NOTES

1. Prestressing steel shall be uncoated high strength, low relaxation 7-wire strand, Grade 270. The nominal diameter shall be 1/2" and the nominal cross-sectional area shall be 0.153 sq. in. The 1" rods in the transverse tie assembly shall be tightened to a snug fit and the threads set. Pockets on exterior faces of bridge shall be filled with grout after transverse tie assembly is in place.

2. Reinforcement bars shall conform to ASTM A 706, Grade 60. (See Special Provisions).

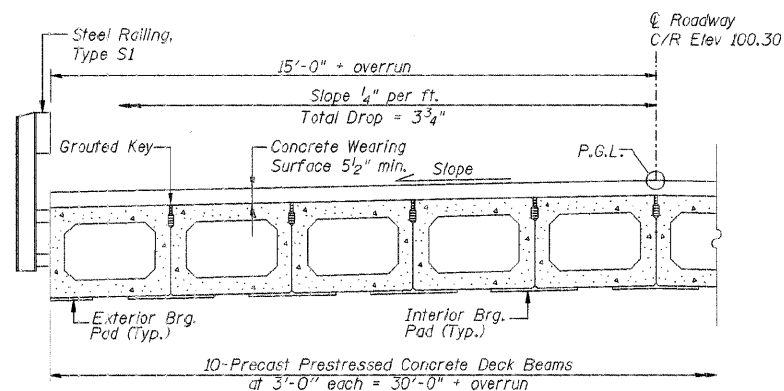
3. Two 5/8" fabric adjusting shims of the dimensions of the exterior bearing pad shall be provided for each bearing pad location.

4. A minimum 2 1/2" diameter lifting pin shall be used to engage the lifting loops during handling.

5. Corrosion Inhibitor, per Article 1020.05(b)(12) and 1021.06 of the Standard Specifications, shall be used in the concrete for precast prestressed concrete deck beams.

6. Compressive strength of prestressed concrete, f'c, shall be 6000 psi.

7. Compressive strength of prestressed concrete at release, f'ci, shall be 5000 psi.



HALF CROSS SECTION

BILL OF MATERIAL SPANS 1 AND 3

Precast Prestressed Conc. Deck Bms. (27" depth)	Sq. Ft.	2458
---	---------	------

27" x 36" PPC DECK BEAM  
 STRUCTURE NO. 092-3457  
 SPANS 1 AND 3

DSGN	K.J. Hoffmann				
DR	K.J. Hoffmann				
CHK	J.R. Wolf				
APVD	J.A. Frauenthoffer	NO.	DATE	REVISION	EY

**FRAUENTHOFFER**  
 Frauenthoffer and Associates, P.C. Consulting Engineers  
 3002 Crossing Court Champaign, IL 61822 217-351-6268

**SUPERSTRUCTURE DETAILS (SHEET 2 OF 4)**  
 FAS 496 (C.H. 14) OVER MIDDLE BRANCH OF N. FORK  
 SECTION 97-00141-00-BR  
 VERMILION COUNTY

SHEET	13
DWG NO.	97051sup.dgn
DATE	APR 2009
PROJ NO.	97051