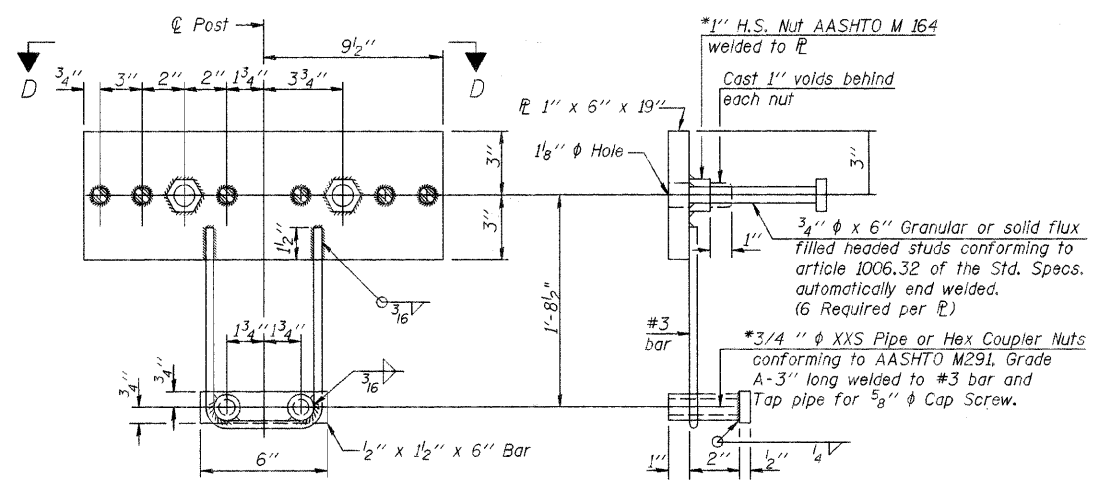
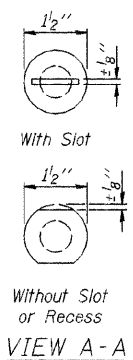
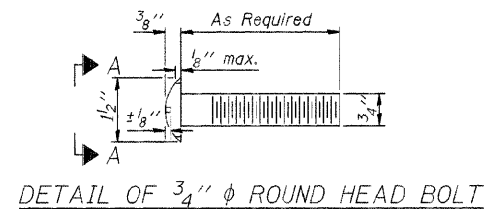


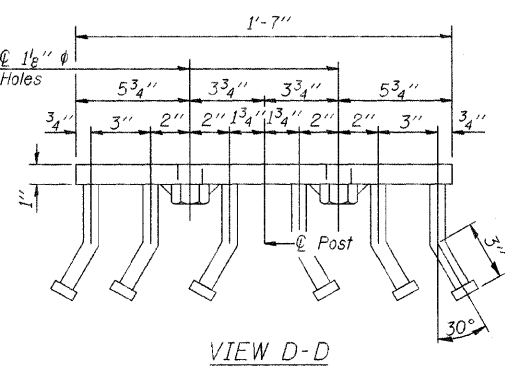
| ROUTE NO. | SECTION | COUNTY | TOTAL SHEETS | SHEET NO. |
|-----------------------|----------|-------------------|--------------|-----------|
| FAS 496 | * | Vermillion | 18 | 17a |
| FED. ROAD DIST. NO. 7 | ILLINOIS | FED. AID PROJECT- | | |

*97-00141-00-BR

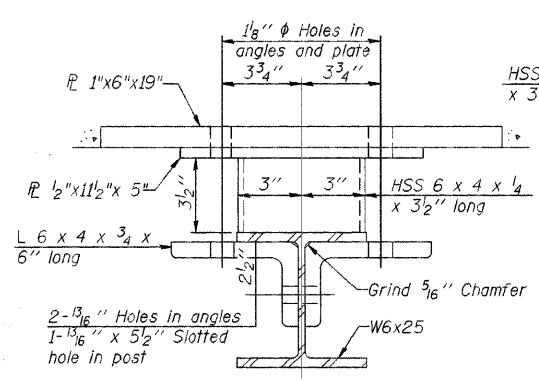


ANCHOR DEVICE

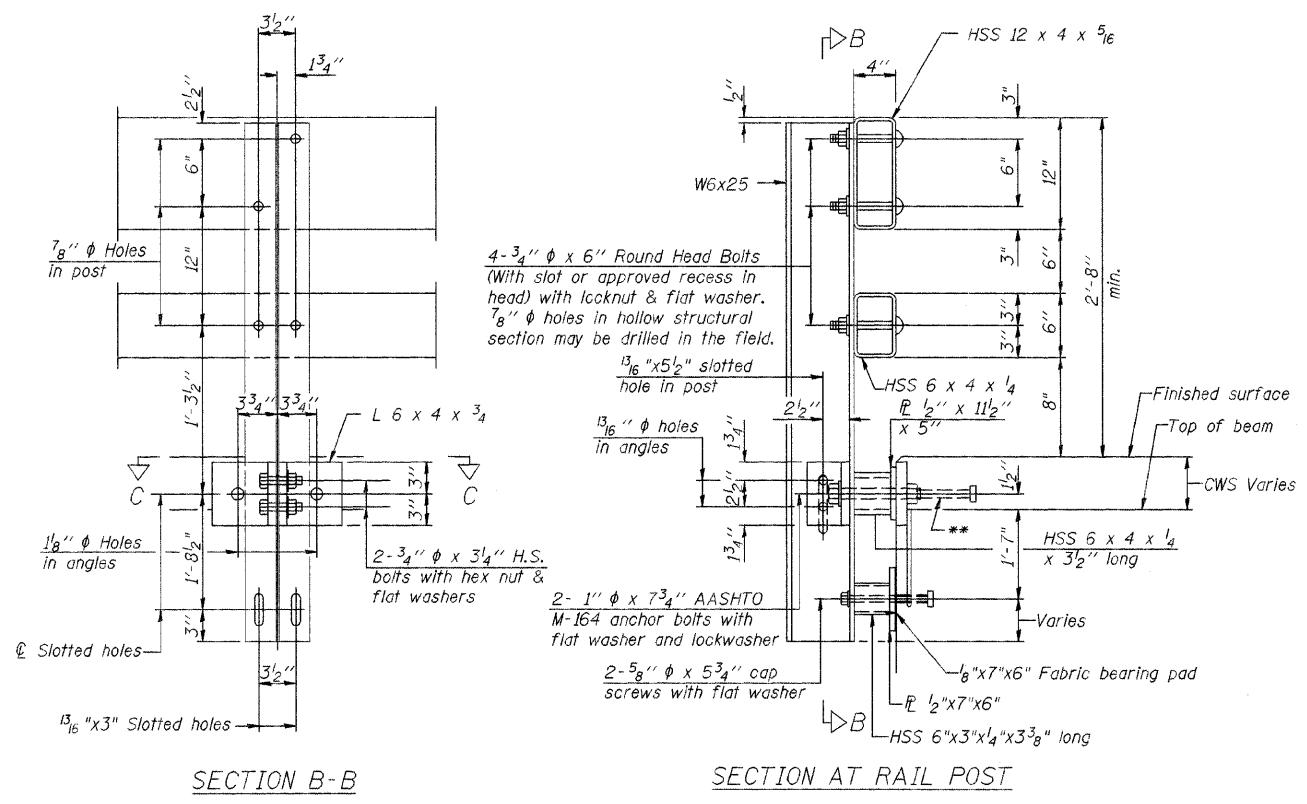
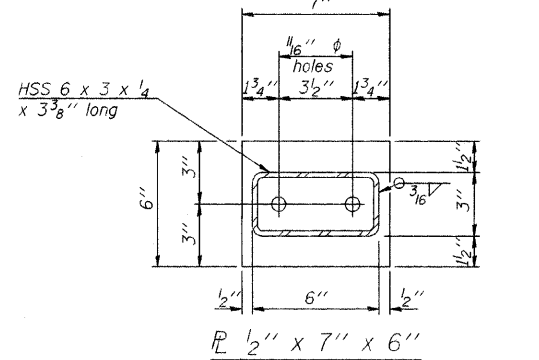
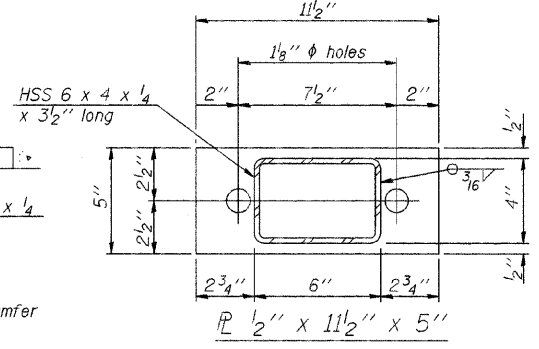
*Threaded areas shall be plugged or blocked off during casting of beam. Galvanized after fabrication.



VIEW D-D



SECTION C-C



SECTION B-B

SECTION AT RAIL POST

| | | | | | |
|------|--------------------|-----|------|----------|----|
| DSGN | K.J. Hoffmann | | | | |
| DR | K.J. Hoffmann | | | | |
| CHK | J.R. Wolf | | | | |
| APVD | J.A. Frauenthoffer | NO. | DATE | REVISION | BY |

FRAUENTHOFFER
Frauenthoffer and Associates, P.C. Consulting Engineers
3002 Crossing Court Champaign, IL 61822 217-351-6268

| | | | |
|---|--|----------|-------------|
| STEEL RAILING, TYPE SM (SHEET 1 OF 2) | | SHEET | 17a |
| FAS 496 (C.H. 14) OVER MIDDLE BRANCH OF N. FORK | | DWG NO. | 97051S1.dgn |
| SEC. 97-00141-00-BR | | DATE | SEP 2009 |
| VERMILION COUNTY | | PROJ NO. | 97051 |