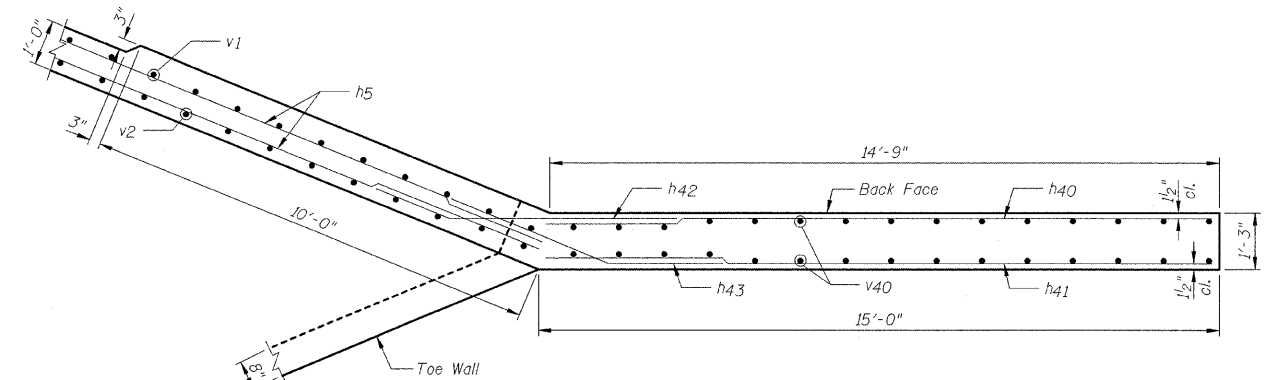
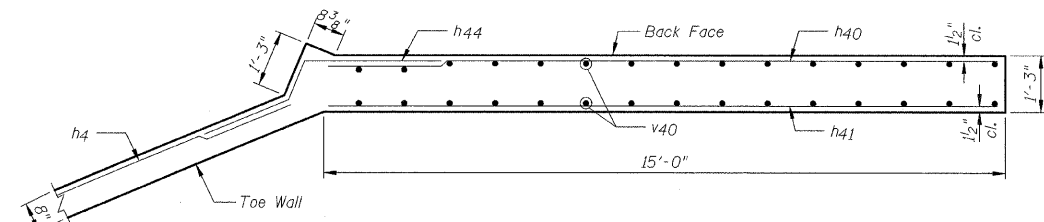


**SOUTHEAST WINGWALL ELEVATION**



**UPPER SOUTHEAST WINGWALL PLAN**



**LOWER SOUTHEAST WINGWALL PLAN**



**NOTES:**

- 1.) See Sheet C21 for Bar Bending Diagrams, Bill of Material and joint details.
- 2.) For bar lap lengths, see the General Notes on Sheet C2.

DESIGNED - SDH	REVISED -	<b>TOWN OF NORMAL</b>	<b>SOUTHEAST WINGWALL</b>		<b>VIRGINIA AVENUE OVER SUGAR CREEK SECTION 04-00226-00-BR MCLEAN COUNTY</b>	F.A.U.	SECTION	COUNTY	TOTAL SHEETS	SHEET NO.
DRAWN - JWK	REVISED -		6366	04-00226-00-BR		MCLEAN	52	39		
CHECKED - MSW	REVISED -		SCALE: SHEET NO. C18 OF 23 SHEETS STA. TO STA.			S.N. 057-7834 CONTRACT NO. 91416				
DATE - 07/22/2009	REVISED -					FED. ROAD DIST. NO. ILLINOIS FED. AID PROJECT				