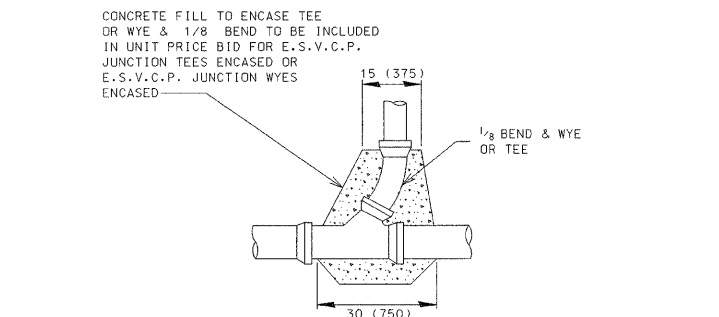
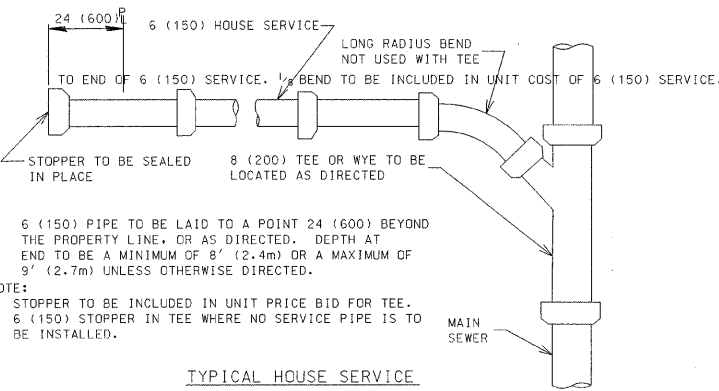
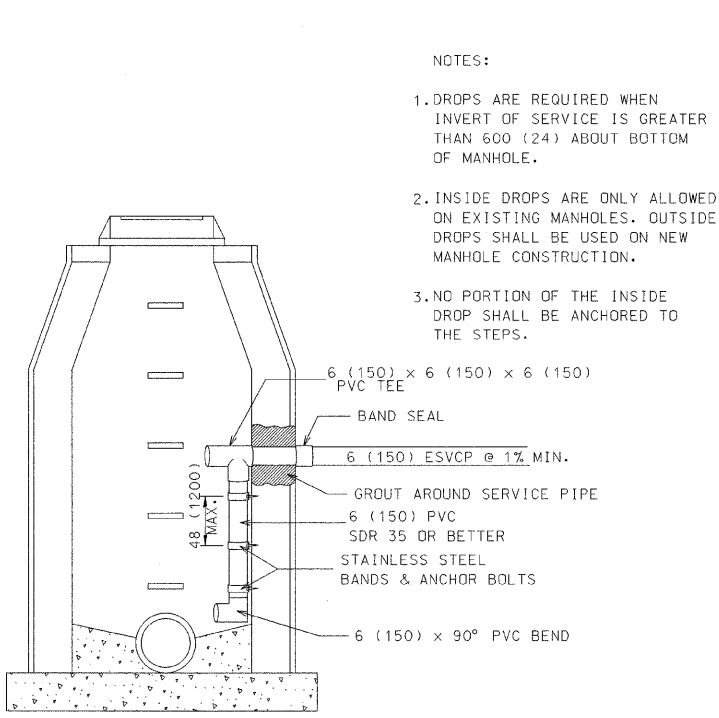


NOTE: 6 (150) SERVICE TO BE PAID FOR BY MEASURING FROM CENTERLINE MAIN SEWER

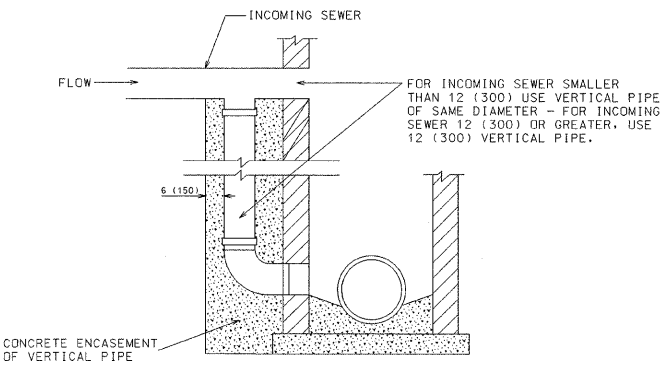


### INSIDE SERVICE DROP IN EXISTING SANITARY MANHOLE



- NOTES:
1. DROPS ARE REQUIRED WHEN INVERT OF SERVICE IS GREATER THAN 600 (24) ABOUT BOTTOM OF MANHOLE.
  2. INSIDE DROPS ARE ONLY ALLOWED ON EXISTING MANHOLES. OUTSIDE DROPS SHALL BE USED ON NEW MANHOLE CONSTRUCTION.
  3. NO PORTION OF THE INSIDE DROP SHALL BE ANCHORED TO THE STEPS.

ALL DIMENSIONS ARE IN INCHES (MILLIMETERS) UNLESS OTHERWISE SHOWN.



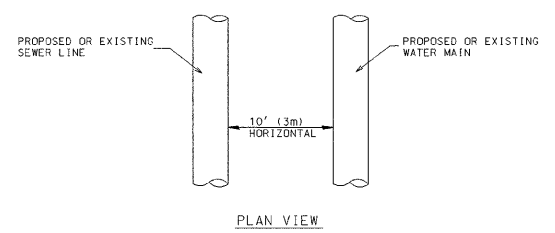
- NOTES:
- PAYMENT FOR DROP MANHOLE CONNECTION TO BE MADE AT CONTRACT UNIT PRICE PER EACH "DROP MANHOLE CONNECTION".
- TO BE USED IN CONJUNCTION WITH TYPE "A" MANHOLES WHERE SEWER ENTERS 24 (600) OR MORE ABOVE LOWEST INVERT. NOT TO BE USED FOR INLET OR CATCH BASIN CONNECTION.
- THIS DETAIL APPLIES TO INCOMING SEWERS OF 18 (450) DIA. OR LESS.

DESIGN BY: TYPICAL HOUSE CONNECTIONS	REVISION:	APPROVED BY: [Signature]	TOWN OF NORMAL, ILLINOIS ENGINEERING DEPARTMENT
STANDARD 7.07C			

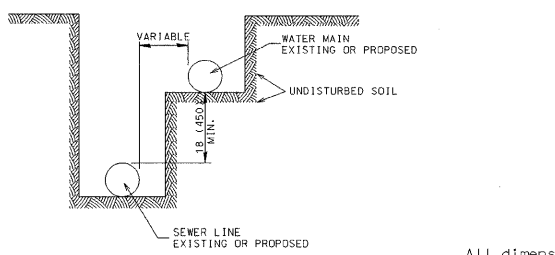
DESIGN BY: INSIDE DROP SERVICE CONNECTION	REVISION:	APPROVED BY: [Signature]	TOWN OF NORMAL, ILLINOIS ENGINEERING DEPARTMENT
STANDARD 7.07B-2			

DESIGN BY: STANDARD DROP MANHOLE DETAILS	REVISION:	APPROVED BY: [Signature]	TOWN OF NORMAL, ILLINOIS ENGINEERING DEPARTMENT
STANDARD 7.07B-1			

WHEN PROPOSED SEWER (OR WATER) IS LOCATED 10' (3m) OR MORE FROM EXISTING WATER (OR SEWER), NO SPECIAL CONSTRUCTION IS REQUIRED

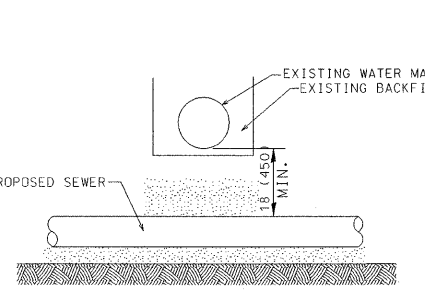


WHEN PROPOSED SEWER (OR WATER) IS LOCATED LESS THAN 10' (3m) FROM EXISTING WATER (OR SEWER), DETAILS BELOW SHALL APPLY.



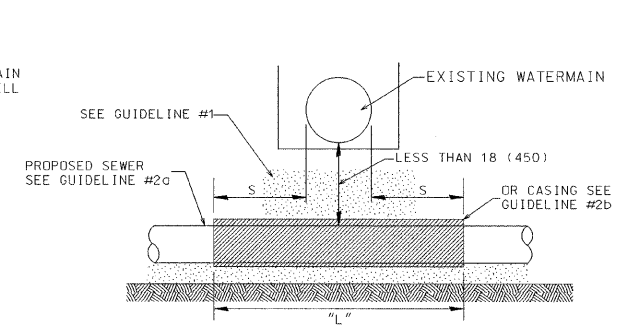
All dimensions are in inches (millimeters) unless otherwise shown.

PROPOSED SEWER LINE BELOW EXISTING WATER MAIN WITH 18 (450) MINIMUM VERTICAL SEPARATION



- GUIDELINES
1. PROVIDE ADEQUATE SUPPORT FOR EXISTING WATER MAIN TO PREVENT DAMAGE DUE TO SETTLEMENT OF SEWER TRENCH.
  2. MAINTAIN 18 (450) MIN. VERTICAL SEPARATION FOR 10' (3m) HORIZONTALLY.

PROPOSED SEWER LINE BELOW EXISTING WATER MAIN WITH LESS THAN 18 (450) VERTICAL SEPARATION



- GUIDELINES
1. OMIT SELECT GRANULAR EMBEDMENT AND GRANULAR BACKFILL TO 12 (300) OVER TOP OF SEWER AND USE SELECT EXCAVATED MATERIAL (CLASS IV) AND COMPACT FOR "S" ON EACH SIDE OF THE WATER MAIN.
  - 2a. CONSTRUCT "L" OF PROPOSED SEWER OR WATER MAIN MATERIAL AND PRESSURE TEST. OR:
  - b. USE "L" OF WATER MAIN MATERIAL FOR CASING OF PROPOSED SEWER AND SEAL ENDS OF CASING.
  3. POINT LOADS SHALL NOT BE ALLOWED BETWEEN SEWER OR SEWER CASING AND WATER MAIN.
  4. PROVIDE ADEQUATE SUPPORT FOR EXISTING WATER MAIN TO PREVENT DAMAGE DUE TO SETTLEMENT OF SEWER TRENCH.

NOTE: "S" THE LENGTH NECESSARY TO PROVIDE 10' (3m) OF SEPARATION AS MEASURED PERPENDICULAR TO THE EXISTING WATER MAIN.

All dimensions are in inches (millimeters) unless otherwise shown.

DESIGNED - JDA	REVISED -
DRAWN - DRR	REVISED -
CHECKED - PJM	REVISED -
DATE - 07/22/09	REVISED -

<b>TOWN OF NORMAL</b>	
SANITARY SEWER DETAILS	
SCALE:	SHEET NO. 45 OF 52 SHEETS STA. TO STA.

<b>TOWN OF NORMAL, ILLINOIS ENGINEERING DEPARTMENT</b>	
SHEET 1 OF 1	

<b>VIRGINIA AVENUE OVER SUGAR CREEK</b>	
<b>SECTION 04-00226-00-BR</b>	
<b>MCCLEAN, COUNTY</b>	

F.A.U. 6356	SECTION 04-00226-00-BR	COUNTY MCCLEAN	TOTAL SHEETS 52	SHEET NO. 45
S.N. 057-7834		CONTRACT NO. 91416		
FED. ROAD DIST. NO. [ ]		ILLINOIS FED. AID PROJECT		