

ROUTE NO.	SECTION	COUNTY	TOTAL SHEETS	SHEET NO.
FAJ 6982	05-00050-00-RS	VERMILION	42	13
STA.		TO STA.		
F.H.W.A. REG.	ILLINOIS PROJECT	ARA-M-50310081		

**PLAN**

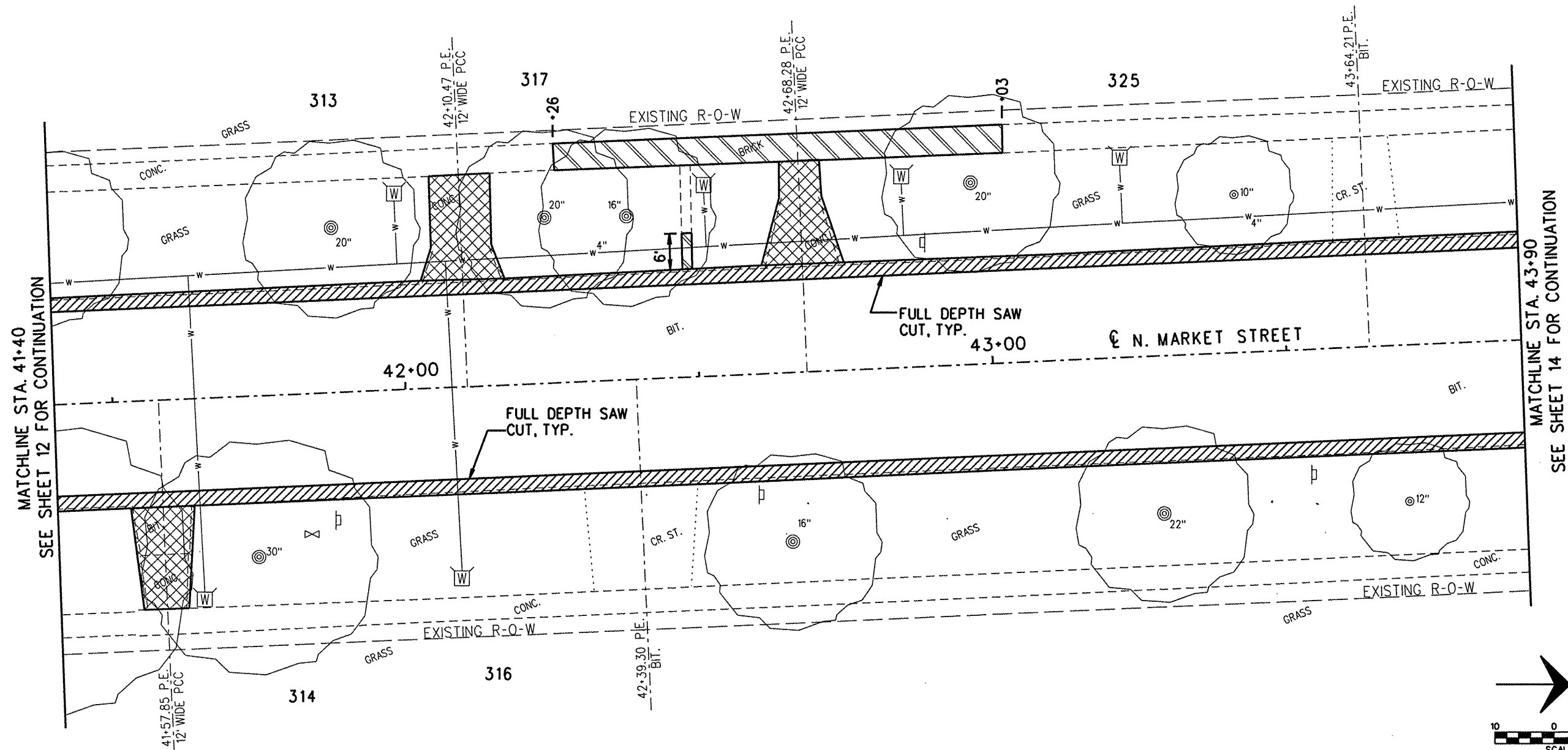
SURVEYED	DATE
PLOTTED	
CHECKED	
BY	
NO.	

NOTE BOOK RT. OF WAY CHECKED

**PROFILE**

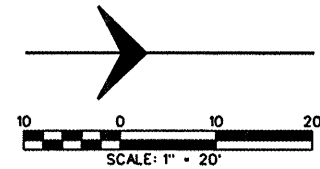
SURVEYED	DATE
PLOTTED	
CHECKED	
BY	
NO.	

NOTE BOOK B.M.'S NOTED  
STRUCTURE NOTATIONS CHKD.



MATCHLINE STA. 41+40  
SEE SHEET 12 FOR CONTINUATION

MATCHLINE STA. 43+90  
SEE SHEET 14 FOR CONTINUATION



**HATCH LEGEND**

	COMBINATION CURB AND GUTTER REMOVAL (SPECIAL)
	SIDEWALK REMOVAL
	DRIVEWAY REMOVAL
	BUTT JOINT MILLING