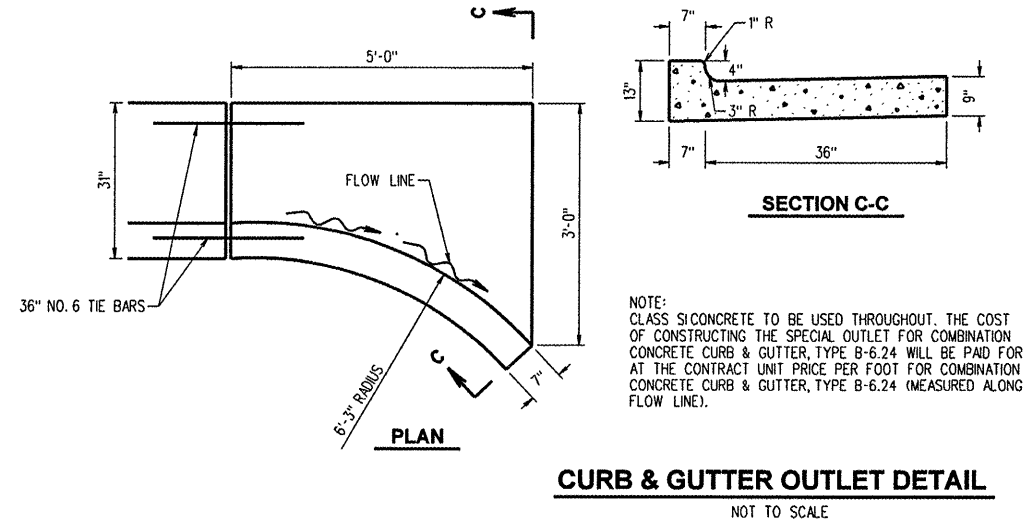


ROUTE NO.	SECTION	COUNTY	TOTAL SHEETS	SHEET NO.
FAU 6982	05-00050-00-RS	VERMILION	42	36
STA.		TO STA.		
F.H.W.A. REG.	ILLINOIS	PROJECT	ARA-M-5031008	



NOTE:
CLASS S1 CONCRETE TO BE USED THROUGHOUT. THE COST OF CONSTRUCTING THE SPECIAL OUTLET FOR COMBINATION CONCRETE CURB & GUTTER, TYPE B-6.24 WILL BE PAID FOR AT THE CONTRACT UNIT PRICE PER FOOT FOR COMBINATION CONCRETE CURB & GUTTER, TYPE B-6.24 (MEASURED ALONG FLOW LINE).

NOTES:

THE COST OF CONSTRUCTING THE P.C. CONCRETE SIDEWALK 6" OR 8" THICK THROUGH DRIVEWAYS SHALL BE CONSIDERED INCLUDED WITH THE P.C. CONCRETE SIDEWALK 4" AND NO ADDITIONAL COMPENSATION WILL BE ALLOWED.

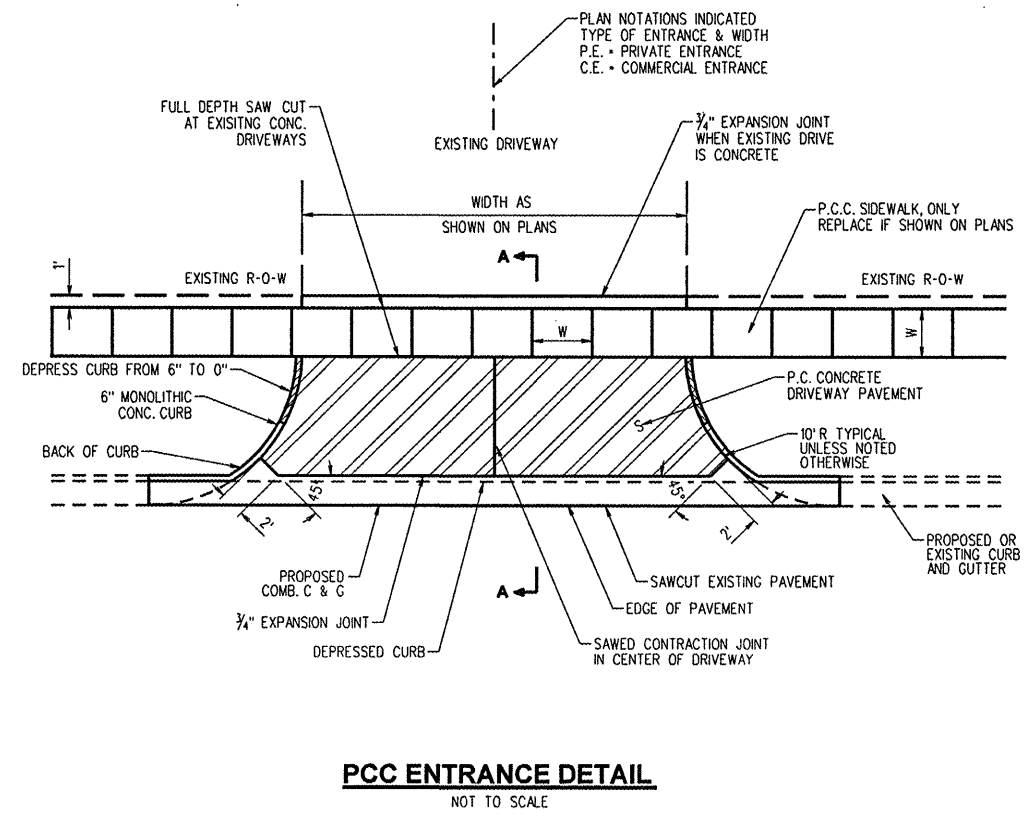
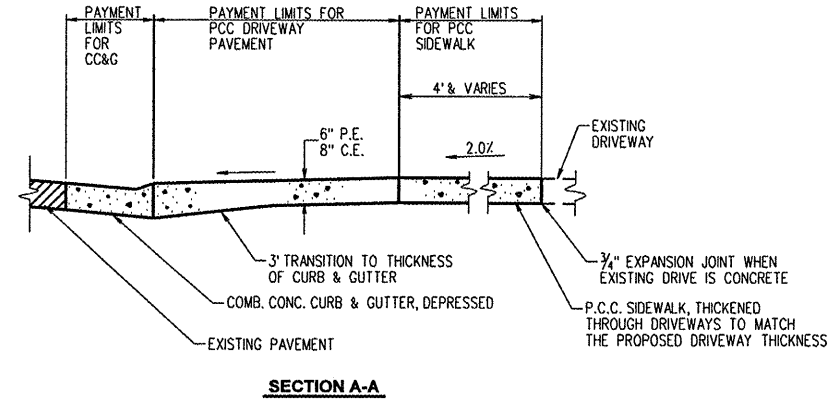
THE COST OF CONSTRUCTING THE P.C. CONCRETE DRIVEWAY PAVEMENT THICKER ADJACENT TO THE COMBINATION CONCRETE CURB AND GUTTER AS SHOWN IN SECTION A-A WILL BE CONSIDERED INCLUDED WITH THE P.C. CONCRETE DRIVEWAY PAVEMENT AND NO ADDITIONAL COMPENSATION WILL BE ALLOWED.

WHEN THE WIDTH OF THE P.C. CONCRETE DRIVEWAY PAVEMENT IS 15 FEET OR GREATER A CONSTRUCTION JOINT, APPROVED BY THE ENGINEER, SHALL BE PLACED IN THE CENTER OF THE DRIVEWAY.

THE MINIMUM WIDTH OF P.C. CONCRETE DRIVEWAY PAVEMENT SHALL BE 12 FEET AND MAXIMUM WIDTH OF 36 FEET UNLESS SHOWN OTHERWISE ON THE PLANS.

VARIABLE HEIGHT CURB ADJACENT TO P.C. CONCRETE DRIVEWAY PAVEMENT SHALL BE CONSTRUCTED MONOLITHIC WITH AND INCLUDED IN THE AREA OF P.C. CONCRETE DRIVEWAY PAVEMENT AND NO ADDITIONAL COMPENSATION WILL BE ALLOWED.

ALL COST OF CONSTRUCTING THE COMBINATION CONCRETE CURB AND GUTTER AS SHOWN SHALL BE INCLUDED IN THE CONTRACT UNIT PRICE PER FOOT FOR COMBINATION CONCRETE CURB AND GUTTER OF THE TYPE SPECIFIED IN THE PLANS.



PLAN

DATE	
BY	
SURVEYED	
PLOTTED	
ALIGNMENT CHECKED	
RT. OF WAY CHECKED	
NOTE BOOK NO.	
STRUCTURE NOTATIONS CHKD.	

PROFILE

DATE	
BY	
SURVEYED	
PLOTTED	
BLK & NOTED	
STRUCTURE NOTATIONS CHKD.	
NOTE BOOK NO.	