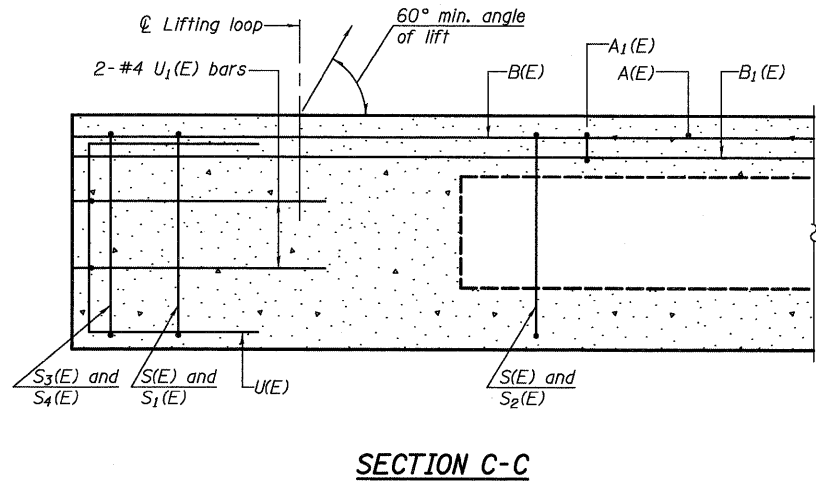
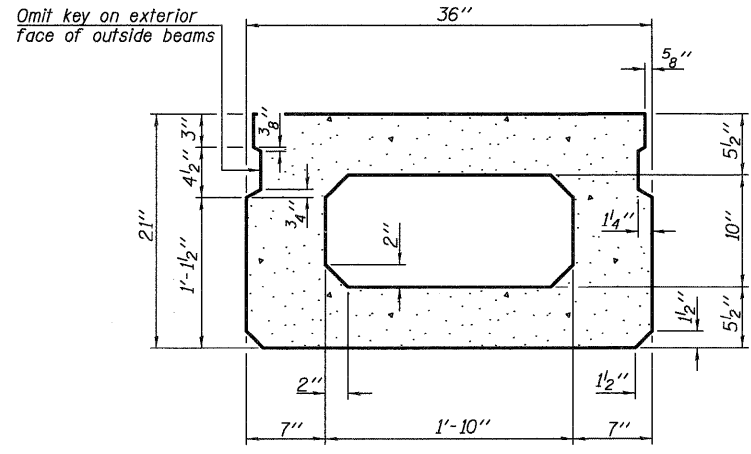


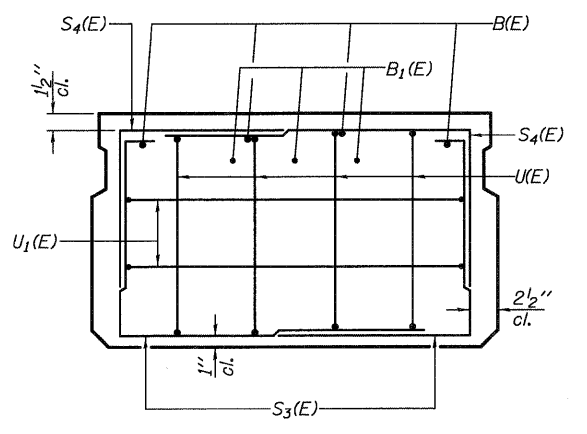
I:\jobs\de Witt county\7211 ch 10 over n fork salt creek\cadd\CADD Sheets\0203900-00000.dgn



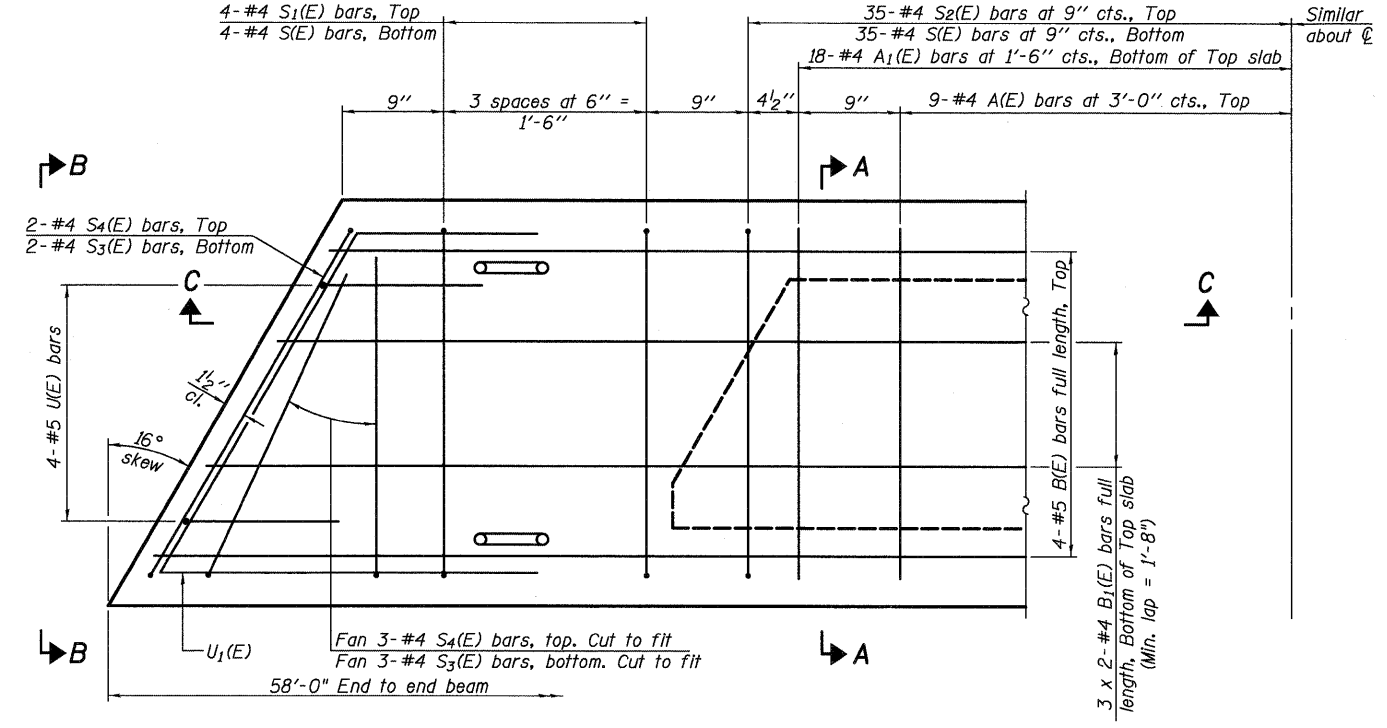
SECTION C-C



SECTION A-A
(Showing dimensions)

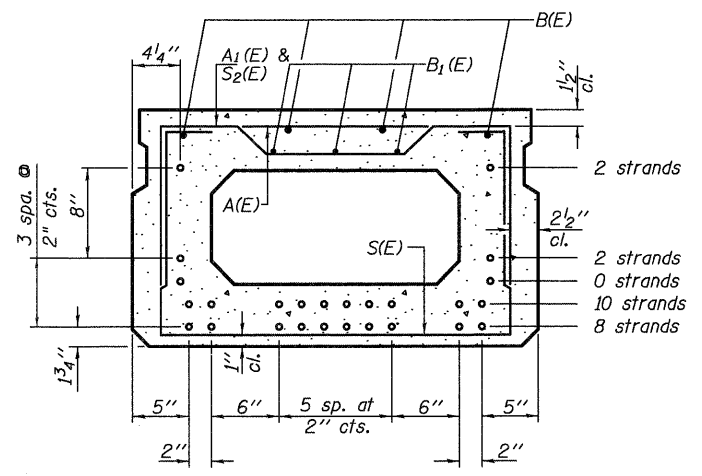


VIEW B-B



PLAN VIEW

Note: Spacing of S(E) and S2(E) bars may be adjusted up to 4" in the immediate area of the transverse tie diaphragms to miss the block outs for the transverse ties.



SECTION A-A

(Showing reinforcement and permissible strand locations)
Note: Place the number of strands specified in each row symmetrically about the centerline of beam in the permissible strand locations shown.

BAR LIST
ONE BEAM ONLY
(For information only)

| Bar | No. | Size | Length | Shape |
|-------|-----|------|--------|-------|
| A(E) | 18 | #4 | 2'-7" | — |
| A1(E) | 36 | #4 | 2'-10" | — |
| B(E) | 4 | #5 | 57'-9" | — |
| B1(E) | 6 | #4 | 29'-9" | — |
| S(E) | 78 | #4 | 6'-5" | □ |
| S1(E) | 8 | #4 | 4'-11" | □ |
| S2(E) | 70 | #4 | 5'-2" | □ |
| S3(E) | 10 | #4 | 4'-7" | □ |
| S4(E) | 10 | #4 | 3'-10" | □ |
| U(E) | 8 | #5 | 4'-0" | □ |
| U1(E) | 4 | #4 | 5'-10" | □ |

D1 bars for exterior beams see sheet 4 of 11.

Notes:
See sheet 3 of 11 for additional details and Bill of Material.
Bars indicated thus 3 x 2-#4 etc. indicates 3 lines of bars with 2 lengths per line.

| | | |
|--------------------------------|----------------|---------|
| USER NAME = dheber.lmg | DESIGNED - FLL | REVISED |
| PLOT SCALE = @1 1/16" = 1' IN. | DRAWN - DLH | REVISED |
| PLOT DATE = 8/18/2009 | CHECKED - CWC | REVISED |
| | DATE - | REVISED |

WHKS & CO.
ENGINEERING
7018 KINGSMILL CT.,
SPRINGFIELD, IL
(217) 483-9457
DESIGN FIRM #184001036

STATE OF ILLINOIS
DEPARTMENT OF TRANSPORTATION

21" X 36" PPC DECK BEAMS
CH 10 OVER NORTH FORK SALT CREEK
SCALE: SHEET NO. 2 OF 11 SHEETS

| | | | | |
|---------------------|------------------------|---------------------------|-----------------|-------------|
| F.A.S. RTE. 543 | SECTION 09-00025-01-BR | COUNTY DEWITT | TOTAL SHEETS 17 | SHEET NO. 8 |
| S.N. 020-3900 | | CONTRACT NO. 91423 | | |
| FED. ROAD DIST. NO. | | ILLINOIS FED. AID PROJECT | | |