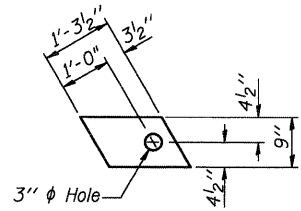


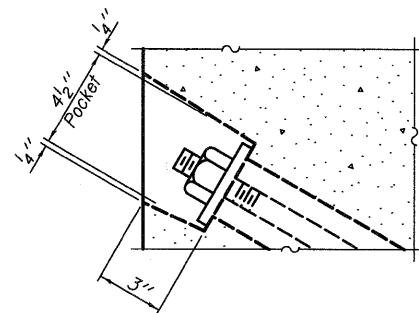
FABRIC BEARING PAD
(Interior)



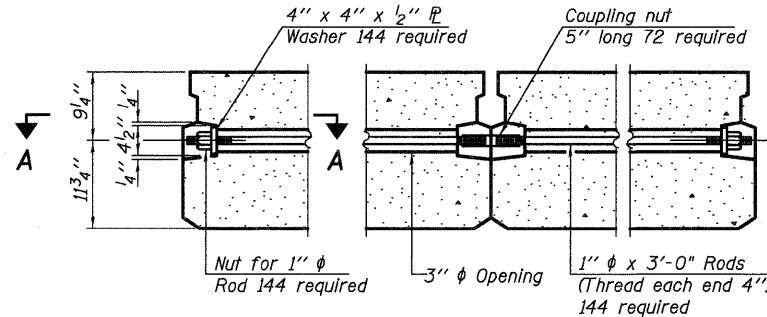
FABRIC BEARING PAD
(Exterior)

FIXED

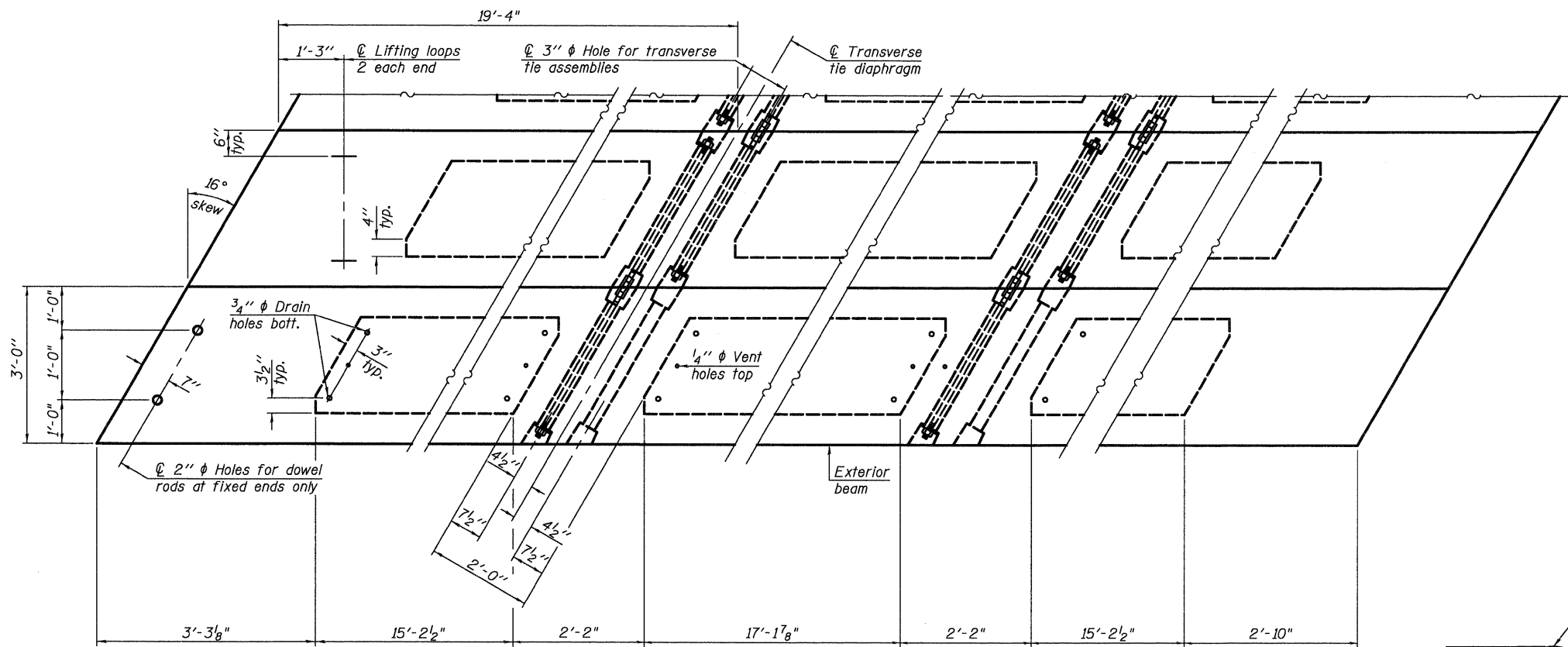
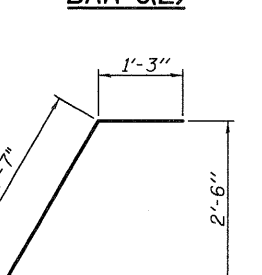
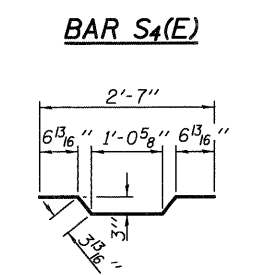
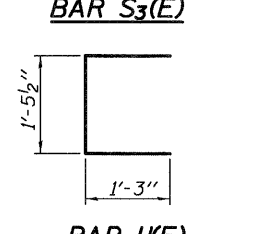
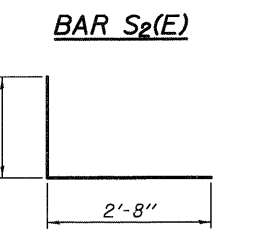
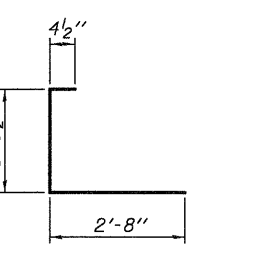
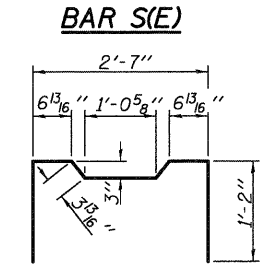
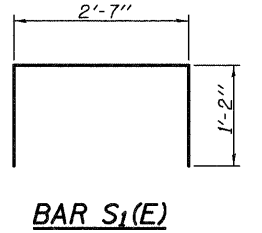
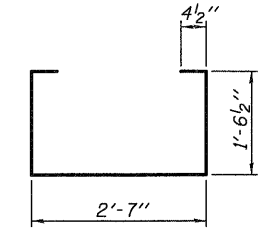
Note: Omit holes when using expansion bearings.



SECTION A-A



TYPICAL TRANSVERSE TIE ASSEMBLY

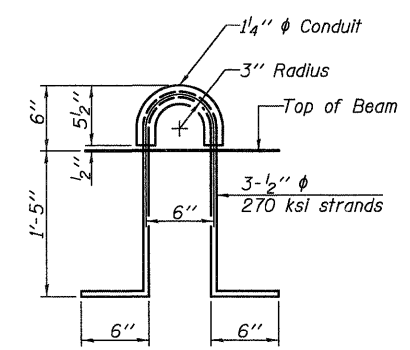


PLAN VIEW

NOTES

Prestressing steel shall be uncoated high strength, low relaxation 7-wire strand, Grade 270. The nominal diameter shall be 1/2" and the nominal cross-sectional area shall be 0.153 sq. in. The 1" rods in the transverse tie assembly shall be tightened to a snug fit and the threads set. Pockets on exterior faces of bridge shall be filled with grout after transverse tie assembly is in place. Reinforcement bars shall conform to ASTM A 706, Grade 60. (See Special Provisions). Two 5/8" fabric adjusting shims of the dimensions of the exterior bearing pad shall be provided for each bearing pad location. A minimum 2 1/2" diameter lifting pin shall be used to engage the lifting loops during handling. Corrosion Inhibitor, per Article 1020.05(b)(12) and 1021.06 of the Standard Specifications, shall be used in the concrete for precast prestressed concrete deck beams. Compressive strength of prestressed concrete, f'c, shall be 6000 psi. Compressive strength of prestressed concrete at release, f'ci, shall be 5000 psi.

Note: Connect beams in pairs with the transverse tie configuration shown.



LIFTING LOOP DETAIL

BILL OF MATERIAL

Precast Prestressed Conc. Deck Bms. (21" depth)	Sq. Ft.	6,960
---	---------	-------

I:\jobs\dwitt\count\7211.ch.10.over.n.fork.salt.creek\cadd\CADD Sheets\0203900-00000.dgn

USER NAME = dhaberling	DESIGNED - FLL	REVISED
PLOT SCALE = @ 1/16" = 1' IN.	CHECKED - CWC	REVISED
PLOT DATE = 8/18/2009	DATE -	REVISED

WHKS & CO.
ENGINEERING
7018 KINGSMILL CT.,
SPRINGFIELD, IL
(217) 483-9457
DESIGN FIRM #184001036

STATE OF ILLINOIS
DEPARTMENT OF TRANSPORTATION

21" X 36" PPC DECK BEAM DETAILS
CH 10 OVER NORTH FORK SALT CREEK
SCALE: SHEET NO. 3 OF 11 SHEETS @ STA.

F.A.S. RTE.	SECTION	COUNTY	TOTAL SHEETS	SHEET NO.
543	09-00025-01-BR	DEWITT	17	9
S.N. 020-3900		CONTRACT NO. 91423		
FED. ROAD DIST. NO.		ILLINOIS FED. AID PROJECT		